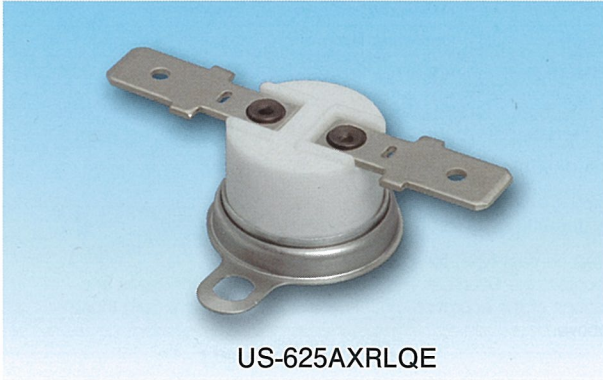


1/2 Disc, Automatic Reset type thermostat

# US-625



### Specification

<b>Electrical rating</b>	Type A: 125 VAC, 15A max., resistive load 250 VAC, 10A max., resistive load 250 VAC, 6(6)A Cos 0.6, Inductive load 10,000 times Type K: 30 VDC, 1A max., resistive load 120 VAC, 125 VA (Pilot Duty)
<b>Operating temp range</b>	0 to 260°C (104 Degrees F to 500 Degrees F)
<b>Differential</b>	15 to 40K (59 Degrees F to 104 Degrees F)
<b>Temp tolerance</b>	150°C or less; Operating temp. ±4°C/Returning temp. ±7°C 151°C or more; Operating temp. ±5°C/Returning temp. ±8°C 200°C or more; Operating temp. ±7°C/Returning temp. ±10°C
<b>Circuit resistance (initial value)</b>	50 mΩ or less
<b>Insulation resistance</b>	100 mΩ or more (with a 500 VDC megger)
<b>Dielectric strength</b>	1,200 V/1 minute
<b>Over shoot temp for drip type coffee maker</b>	260°C (Max operating temp. 200°C) 500 Degrees F (Max operating temp. 392 Degrees F)
<b>Switching durability</b>	100,000 times or more (at rated load)

\* The differential differ in different operating temperature.  
\* Please contact the Overseas Sec for the details since the types and specifications of the approved models are slightly different from those shown above.

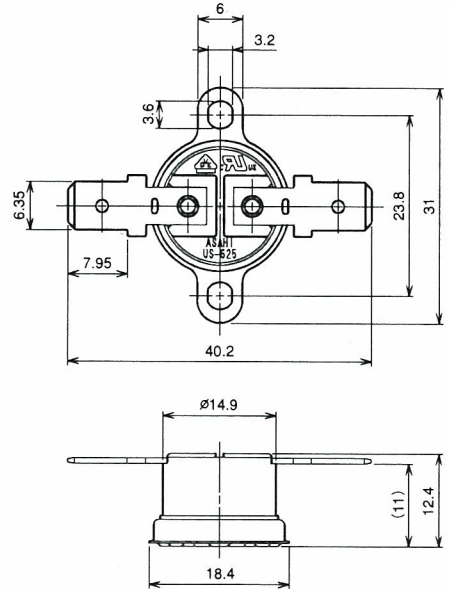
1/2 Disc, Automatic Reset type thermostat

### Model Code

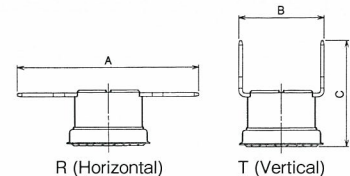
US-625□□□□

- Cover material and mounting bracket type**
  - QE: Aluminum, Movable surface bracket
  - QL: Aluminum, Movable surface bracket
  - QM: Aluminum, Movable surface bracket
  - QN: Aluminum, Movable surface bracket
  - QD: Aluminum, Movable surface bracket
  - MO: Stainless steel, No bracket, Exposed type
  - QO: Aluminum, No bracket
  - DO: Aluminum, No bracket, Exposed type
  - NO: Aluminum, No bracket, 20 φ round flange
  - JO: Stainless steel, Air stream bracket (Depth/5.2mm)
  - KO: Aluminum, Air stream bracket (Depth/4.8mm)
  - GO: Aluminum, Air stream bracket (Depth/5.4mm)
- Terminal type**
  - L: Equivalent to Positive Lock Connector 250 series
  - M: Equivalent to Positive Lock Connector 187 series
  - S: For soldering
  - V: Equivalent to IEC 730-1 (size: 4.8)
  - D: Equivalent to DIN46244 (Brass/size: 4.8)
  - J: Equivalent to DIN46244 (Steel/size: 6.3)
- Terminal angle**
  - R: Horizontal (See the figure shown to the follows)
  - T: Vertical (See the figure shown to the follows)
- Contact type**
  - X: Open on temperature rise
  - Y: Close on temperature rise
- Application type**
  - A: Ag alloy contact/Standard case
  - K: Au cross bar contact/Standard case

### Dimensional drawings



### Terminal type and angle



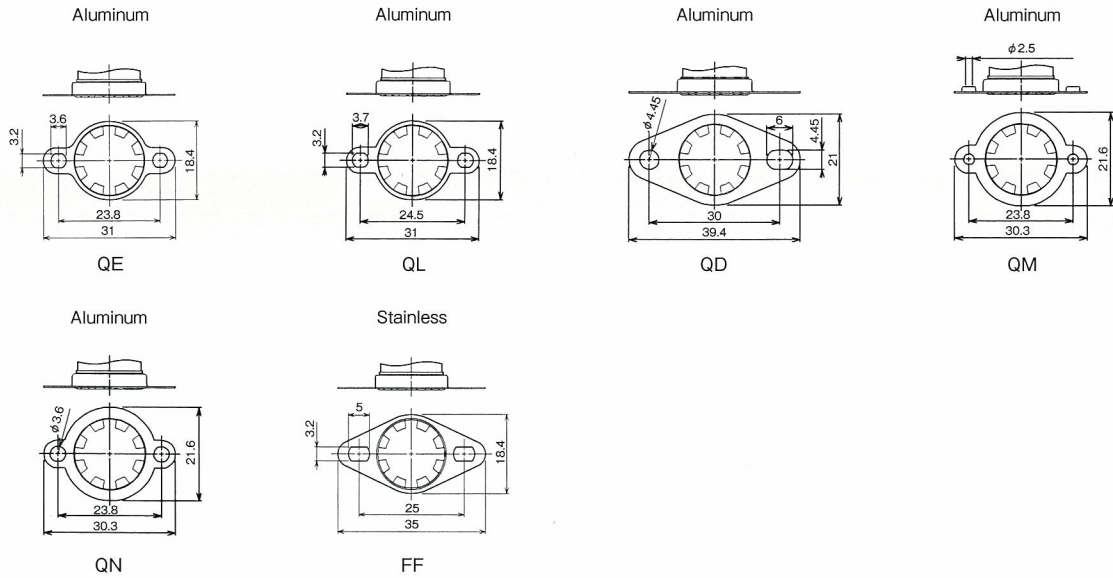
Terminal type	A	B	C
L	40.0	19.0	23.5
M	36.0	19.0	21.0
S	23.0	15.5	15.5
V	36.5	19.0	21.5

[Unit : mm]

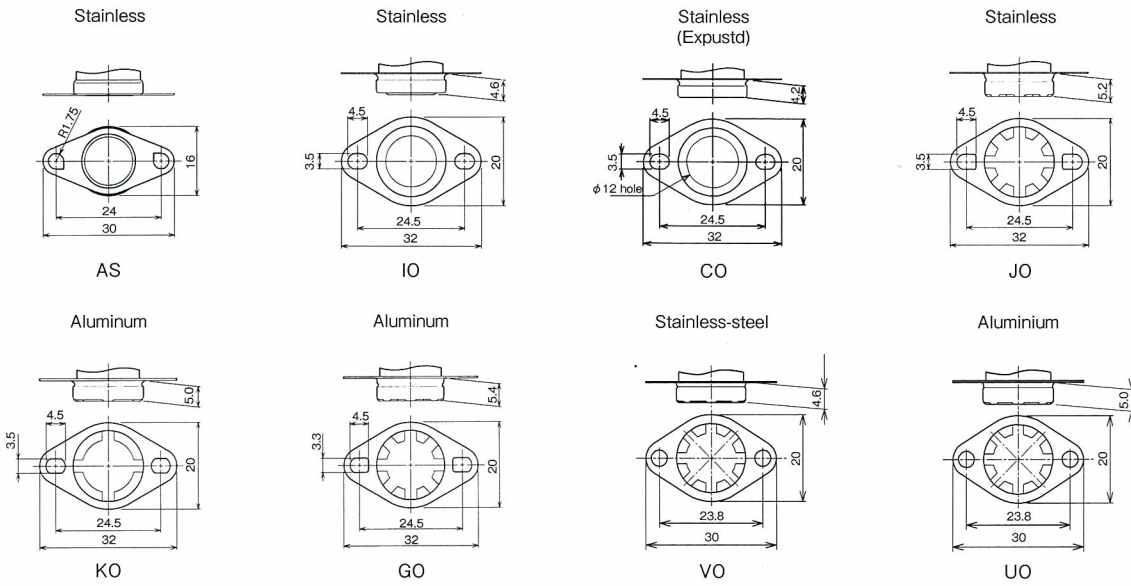
\* Above dimension is applied for US-622A and K

Holder model

Movable bracket



Fixed bracket (FIXED)



No bracket

