



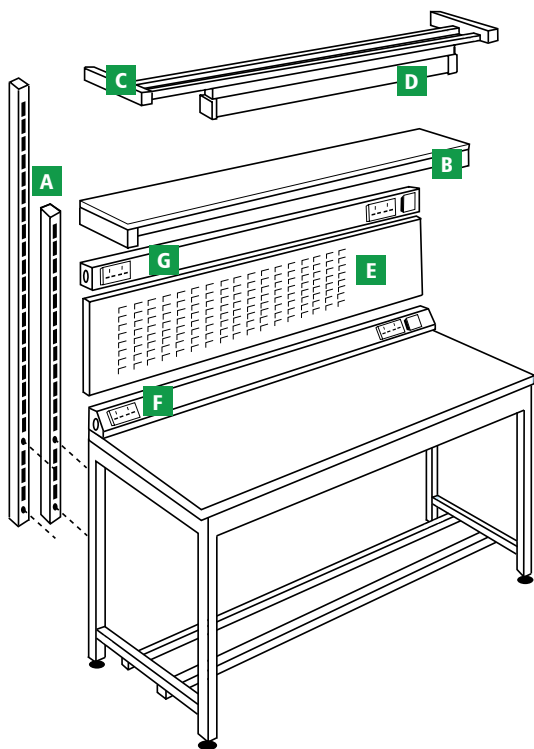
1st 4 Storage

Complete Workbench Range



General Purpose Workbenches

- General workshop bench suitable for use in assembly, production and light engineering
- A leg in each corner gives firm support
- Height adjustable feet for easy levelling
- Powder coated light grey framework
- MFC, linoleum and laminate worktop options available
- Full range of accessories available including drawers, cupboards, shelves, louvre panels and service ducts
- Standard bench height: 840mm - 760 and 920mm also available
- Delivered in knock-down form



Worktop Options

MFC Worktop 18mm thick



Size H.W.D.	Code	Price
840.900.600	BQ849060GLXX	£121.00
840.1200.600	BQ841260GLXX	£158.00
840.1200.750	BQ841275GLXX	£167.00
840.1200.900	BQ841290GLXX	£176.00
840.1500.600	BQ841560GLXX	£173.00
840.1500.750	BQ841575GLXX	£184.00
840.1500.900	BQ841590GLXX	£200.00
840.1800.600	BQ841860GLXX	£192.00
840.1800.750	BQ841875GLXX	£202.00
840.1800.900	BQ841890GLXX	£205.00

Linoleum Worktop 20mm thick



Size H.W.D.	Code	Price
840.900.600	BQ8490608LXX	£157.00
840.1200.600	BQ8412608LXX	£206.00
840.1200.750	BQ8412758LXX	£246.00
840.1200.900	BQ8412908LXX	£270.00
840.1500.600	BQ8415608LXX	£244.00
840.1500.750	BQ8415758LXX	£285.00
840.1500.900	BQ8415908LXX	£308.00
840.1800.600	BQ8418608LXX	£293.00
840.1800.750	BQ8418758LXX	£311.00
840.1800.900	BQ8418908LXX	£328.00

Laminate Worktop 20mm thick



Size H.W.D.	Code	Price
840.900.600	BQ849060PLXX	£148.00
840.1200.600	BQ841260PLXX	£197.00
840.1200.750	BQ841275PLXX	£237.00
840.1200.900	BQ841290PLXX	£261.00
840.1500.600	BQ841560PLXX	£235.00
840.1500.750	BQ841575PLXX	£276.00
840.1500.900	BQ841590PLXX	£299.00
840.1800.600	BQ841860PLXX	£284.00
840.1800.750	BQ841875PLXX	£302.00
840.1800.900	BQ841890PLXX	£319.00

Extension Benches

Size H.W.D.	Code	Price
840.900.600	BQ849060GLET	£102.00
840.1200.600	BQ841260GLET	£122.00
840.1200.750	BQ841275GLET	£153.00

Extension Benches

Size H.W.D.	Code	Price
840.900.600	BQ8490608LET	£143.00
840.1200.600	BQ8412608LET	£176.00
840.1200.750	BQ8412758LET	£219.00

Extension Benches

Size H.W.D.	Code	Price
840.900.600	BQ849060PLET	£134.00
840.1200.600	BQ841260PLET	£167.00
840.1200.750	BQ841275PLET	£210.00

Lower Shelves - 450mm Deep

To Fit W.	Code	Price
1200	BELS1145GXXX	£55.00
1500	BELS1445GXXX	£63.00
1800	BELS1745GXXX	£70.00

Lower Shelves - 450mm Deep


To Fit W.	Code	Price
1200	BELS11458XX	£86.00
1500	BELS14458XX	£93.00
1800	BELS17458XX	£100.00

Lower Shelves - 450mm Deep

To Fit W.	Code	Price
1200	BELS1145PXX	£81.00
1500	BELS1445PXX	£88.00
1800	BELS1745PXX	£95.00



250kg SWL
Evenly Distributed



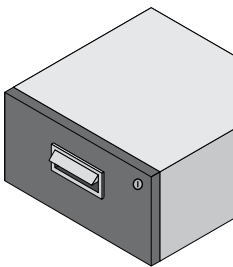
Flat Screen Support Arm

Code	Price
BEMONARMFLSC	£93.00

Drawer & Cupboard Front Colour Options

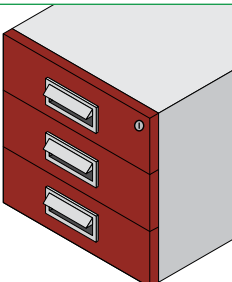
Please add corresponding letters to code

KXX	BXX	GXX	RXX
Dark Grey	Dark Blue	Green	Red



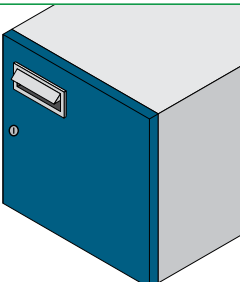
Single Drawer
220 x 420 x 420

Code	Price
BEDR04021	£113.00



Triple Drawer
435 x 420 x 420

Code	Price
BEDR04043	£194.00



Storage Cupboard
435 x 420 x 420

Code	Price
BECU04041	£113.00

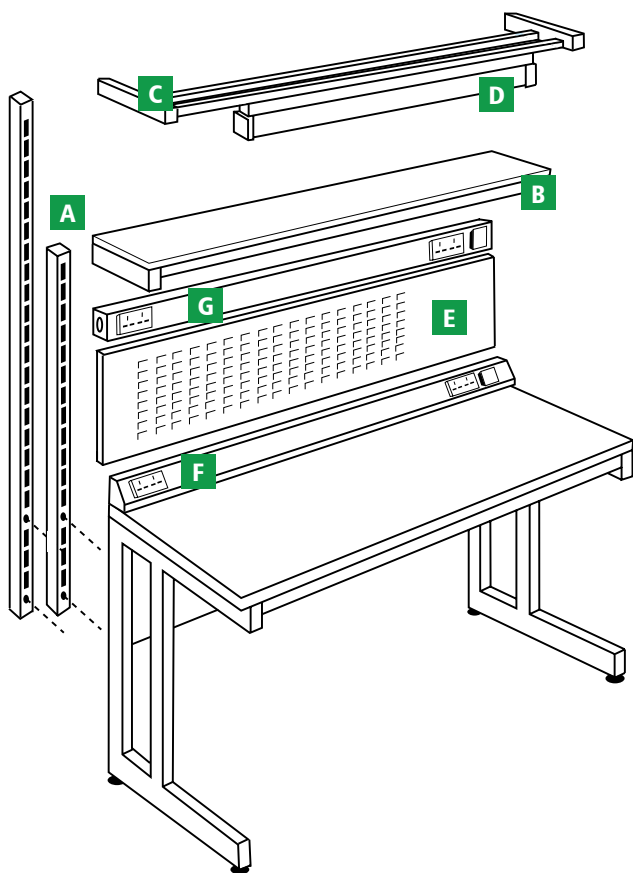
General Purpose Bench Accessories			
Key	Description	Code	Price
A	760mm Rear Support Posts	BESP760SXXX	£43.00
A	1180mm Rear Support Posts	BESP1180SXXX	£53.00
B	Upper shelf 300mm MFC for 1200mm bench	BEUS1200GXXX	£64.00
B	Upper shelf 300mm Linoleum for 1200mm bench	BEUS1200LXXX	£72.00
B	Upper shelf 300mm Laminate for 1200mm bench	BEUS1200PXXX	£68.00
B	Upper shelf 300mm MFC for 1500mm bench	BEUS1500GXXX	£78.00
B	Upper shelf 300mm Linoleum for 1500mm bench	BEUS1500LXXX	£86.00
B	Upper shelf 300mm Laminate for 1500mm bench	BEUS1500PXXX	£81.00
B	Upper shelf 300mm MFC for 1800mm bench	BEUS1800GXXX	£90.00
B	Upper shelf 300mm Linoleum for 1800mm bench	BEUS1800LXXX	£103.00
B	Upper shelf 300mm Laminate for 1800mm bench	BEUS1800PXXX	£98.00
C	Light/Tool Rail Support for 1200mm bench	BERS1200LXXX	£54.00

General Purpose Bench Accessories			
Key	Description	Code	Price
C	Light/Tool Rail Support for 1500mm bench	BERS1500LXXX	£58.00
C	Light/Tool Rail Support for 1800mm bench	BERS1800LXXX	£60.00
D	Fluorescent Light	BELF1200LXXX	£31.00
E	Louvred back panel with pinboard for 1200mm bench	BEL04812IXXX	£100.00
E	Louvred back panel with pinboard for 1500mm bench	BEL04815IXXX	£110.00
E	Louvred back panel with pinboard for 1800mm bench	BEL04818IXXX	£122.00
F	Worktop service duct for 1200mm bench	BESDWT122XXX	£84.00
F	Worktop service duct for 1500mm bench	BESDWT15XXX	£86.00
F	Worktop service duct for 1800mm bench	BESDWT18XXX	£90.00
G	Post fitted service duct for 1200mm bench	BESDSP12XXX	£92.00
G	Post fitted service duct for 1500mm bench	BESDSP15XXX	£95.00
G	Post fitted service duct for 1800mm bench	BESDSP18XXX	£97.00



General Purpose Cantilever Workbenches

- General workshop bench suitable for use in assembly, production and light engineering
- Cantilever construction allows maximum leg room
- Height adjustable feet for easy leveling
- Powder coated light grey framework
- Linoleum and laminate worktop options available
- Full range of accessories available including drawers, cupboards, shelves, louvre panels and service ducts
- Standard bench height: 840mm - 760 and 920mm also available
- Delivered in knock-down form



Worktop Options

Linoleum Worktop 20mm thick



Size H.W.D.	Code	Price
840.1200.750	BC8412758LXX	£329.00
840.1200.900	BC8412908LXX	£341.00
840.1500.750	BC8415758LXX	£380.00
840.1500.900	BC8415908LXX	£397.00
840.1800.750	BC8418758LXX	£419.00
840.1800.900	BC8418908LXX	£441.00

Laminate Worktop 20mm thick



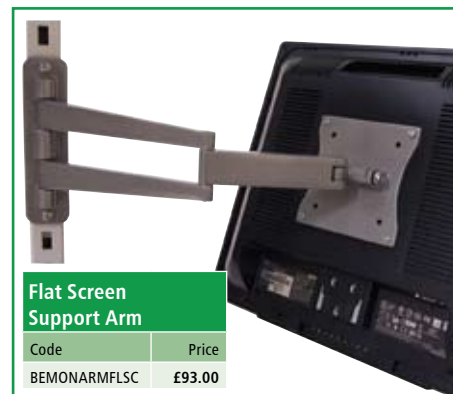
Size H.W.D.	Code	Price
840.1200.750	BC841275PLXX	£320.00
840.1200.900	BC841290PLXX	£332.00
840.1500.750	BC841575PLXX	£371.00
840.1500.900	BC841590PLXX	£388.00
840.1800.750	BC841875PLXX	£410.00
840.1800.900	BC841890PLXX	£432.00

Extension Benches

Size H.W.D.	Code	Price
840.600.600	BC8460608LXX	£167.00
840.900.600	BC8490608LXX	£190.00
840.1200.600	BC8412608LXX	£264.00

Extension Benches

Size H.W.D.	Code	Price
840.600.600	BC846060PLXX	£176.00
840.900.600	BC849060PLXX	£192.00
840.1200.600	BC841260PLXX	£270.00



Flat Screen Support Arm

Code	Price
BEMONARMFLSC	£93.00



250kg SWL
Evenly Distributed

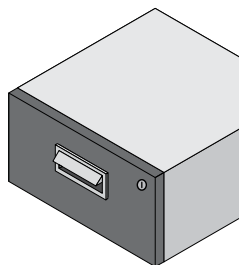
Drawer & Cupboard Front Colour Options

Please add corresponding letters to code



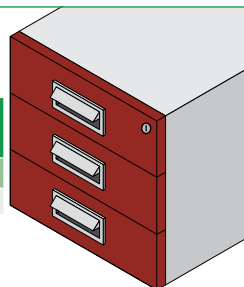
Single Drawer
220 x 420 x 420

Code	Price
BEDR04021	£113.00



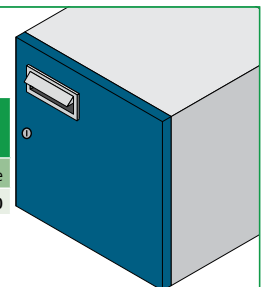
Triple Drawer
435 x 420 x 420

Code	Price
BEDR04043	£194.00



Storage Cupboard
435 x 420 x 420

Code	Price
BEUC04041	£113.00



General Purpose Cantilever Bench Accessories

Key	Description	Code	Price
A	760mm Rear Support Posts	BESP760SXXXX	£43.00
A	1180mm Rear Support Posts	BESP1180XXXX	£53.00
B	Upper shelf 300mm Linoleum for 1200mm bench	BEUS12008XXX	£72.00
B	Upper shelf 300mm Laminate for 1200mm bench	BEUS1200PXXX	£68.00
B	Upper shelf 300mm Linoleum for 1500mm bench	BEUS15008XXX	£86.00
B	Upper shelf 300mm Laminate for 1500mm bench	BEUS1500PXXX	£81.00
B	Upper shelf 300mm Linoleum for 1800mm bench	BEUS18008XXX	£103.00
B	Upper shelf 300mm Laminate for 1800mm bench	BEUS1800PXXX	£98.00
C	Light/Tool Rail Support for 1200mm bench	BERS1200XLXX	£54.00
C	Light/Tool Rail Support for 1500mm bench	BERS1500XLXX	£58.00
C	Light/Tool Rail Support for 1800mm bench	BERS1800XLXX	£60.00

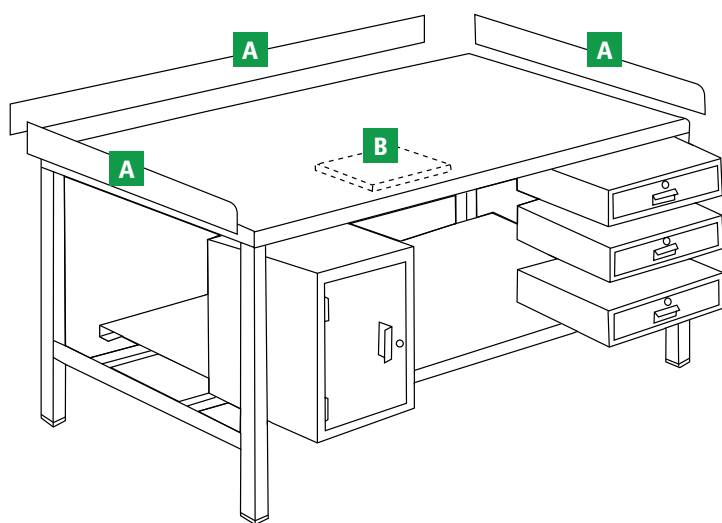
General Purpose Cantilever Bench Accessories

Key	Description	Code	Price
D	Fluorescent Light	BELF1200XLXX	£31.00
E	Louvred back panel with pinboard for 1200mm bench	BELO4812XXXX	£100.00
E	Louvred back panel with pinboard for 1500mm bench	BELO4815XXXX	£110.00
E	Louvred back panel with pinboard for 1800mm bench	BELO4818XXXX	£122.00
F	Worktop service duct for 1200mm bench	BESDWT122XXX	£84.00
F	Worktop service duct for 1500mm bench	BESDWT15XXXX	£86.00
F	Worktop service duct for 1800mm bench	BESDWT18XXXX	£90.00
G	Post fitted service duct for 1200mm bench	BESDSP12XXXX	£92.00
G	Post fitted service duct for 1500mm bench	BESDSP15XXXX	£95.00
G	Post fitted service duct for 1800mm bench	BESDSP18XXXX	£97.00



Heavy Duty Workbenches

- Heavy duty bench suitable for heavy duty applications such as engineering and manufacturing
- Fully welded construction for extra strength
- Powder coated dark grey framework
- Steel plate, birch hardwood, linoleum and laminate worktop options
- Full range of accessories available including drawers, cupboards, shelves and sliding doors
- Standard bench height: 840mm - 760 and 920mm also available



Worktop Options

Steel Plate Worktop 2mm thick

Size H.W.D.	Code	Price
840.1200.600	BJ841260SKXX	£185.00
840.1200.750	BJ841275SKXX	£193.00
840.1200.900	BJ841290SKXX	£207.00
840.1500.600	BJ841560SKXX	£209.00
840.1500.750	BJ841575SKXX	£215.00
840.1500.900	BJ841590SKXX	£242.00
840.1800.600	BJ841860SKXX	£231.00
840.1800.750	BJ841875SKXX	£238.00
840.1800.900	BJ841890SKXX	£277.00

Linoleum Worktop 20mm thick

Size H.W.D.	Code	Price
840.1200.600	BJ841260KXX	£284.00
840.1200.750	BJ841275KXX	£327.00
840.1200.900	BJ841290KXX	£345.00
840.1500.600	BJ841560KXX	£315.00
840.1500.750	BJ841575KXX	£372.00
840.1500.900	BJ841590KXX	£401.00
840.1800.600	BJ841860KXX	£350.00
840.1800.750	BJ841875KXX	£412.00
840.1800.900	BJ841890KXX	£439.00

Hardwood Worktop 25mm thick Birch Ply

Size H.W.D.	Code	Price
840.1200.600	BJ841260HKXX	£267.00
840.1200.750	BJ841275HKXX	£286.00
840.1200.900	BJ841290HKXX	£301.00
840.1500.600	BJ841560HKXX	£293.00
840.1500.750	BJ841575HKXX	£337.00
840.1500.900	BJ841590HKXX	£367.00
840.1800.600	BJ841860HKXX	£325.00
840.1800.750	BJ841875HKXX	£366.00
840.1800.900	BJ841890HKXX	£412.00

Laminate Worktop 20mm thick

Size H.W.D.	Code	Price
840.1200.600	BJ841260PKXX	£275.00
840.1200.750	BJ841275PKXX	£318.00
840.1200.900	BJ841290PKXX	£336.00
840.1500.600	BJ841560PKXX	£306.00
840.1500.750	BJ841575PKXX	£363.00
840.1500.900	BJ841590PKXX	£392.00
840.1800.600	BJ841860PKXX	£341.00
840.1800.750	BJ841875PKXX	£403.00
840.1800.900	BJ841890PKXX	£430.00

Drawer & Cupboard Front Colour Options

Please add corresponding letters to code



Lower Shelves - Factory Fitted Steel Plate Only

To Fit W.D.	Code	Price
1200.600	BXLS1206XXXX	£63.00
1200.750	BXLS1207XXXX	£75.00
1200.900	BXLS1209XXXX	£75.00
1500.600	BXLS1506XXXX	£73.00
1500.750	BXLS1507XXXX	£86.00
1500.900	BXLS1509XXXX	£86.00
1800.600	BXLS1806XXXX	£83.00
1800.750	BXLS1807XXXX	£94.00
1800.900	BXLS1809XXXX	£94.00



**1200kg
SWL**
Evenly Distributed

Single Drawer
220 x 420 x 420

Code	Price
BXDR04021	£113.00

Triple Drawer
435 x 420 x 420

Code	Price
BXDR04043	£194.00

Storage Cupboard
560 x 420 x 420

Code	Price
BXCU04051	£123.00

Factory Fitted Heavy Duty Bench Accessories

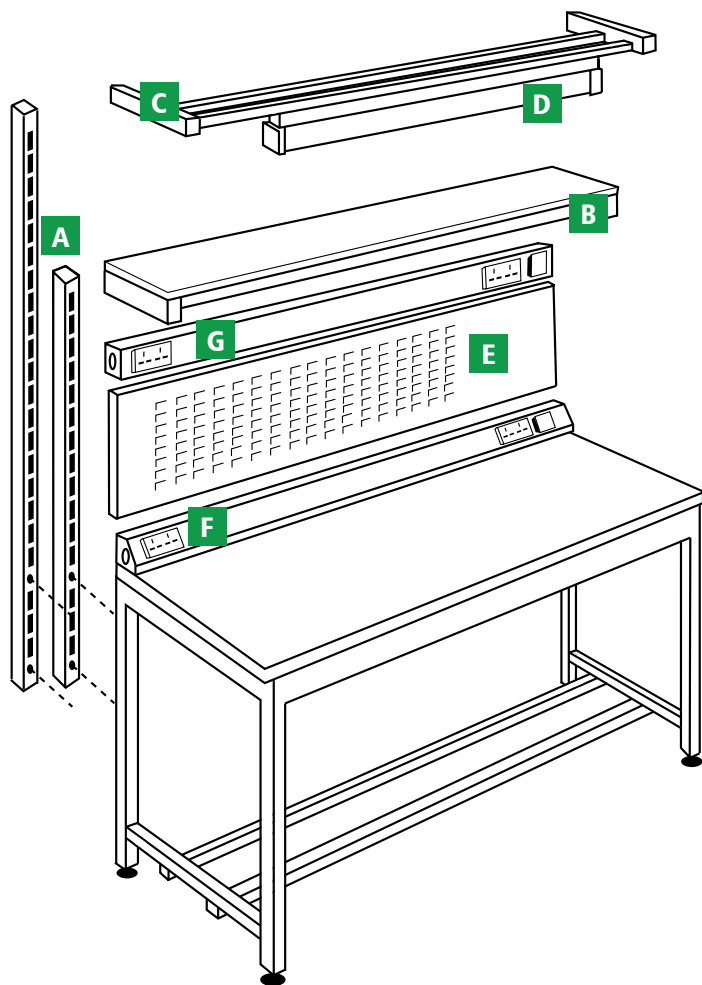
Key	Description	Code	Price
A	Retaining Lip for 1200 x 600mm bench	BXRL1206XXXX	£21.00
A	Retaining Lip for 1200 x 750mm bench	BXRL1207XXXX	£24.00
A	Retaining Lip for 1200 x 900mm bench	BXRL1209XXXX	£27.00
A	Retaining Lip for 1500 x 600mm bench	BXRL1506XXXX	£24.00
A	Retaining Lip for 1500 x 750mm bench	BXRL1507XXXX	£27.00
A	Retaining Lip for 1500 x 900mm bench	BXRL1509XXXX	£29.00
A	Retaining Lip for 1800 x 600mm bench	BXRL1806XXXX	£27.00
A	Retaining Lip for 1800 x 750mm bench	BXRL1807XXXX	£29.00
A	Retaining Lip for 1800 x 900mm bench	BXRL1809XXXX	£32.00
B	Vice Plate	BXVICEPLXXXX	£16.00
C	Sliding doors for 1200mm bench - 840 & 920mm only	BXSL1284XXXX	£419.00
C	Sliding doors for 1500mm bench - 840 & 920mm only	BXSL1584XXXX	£438.00
C	Sliding doors for 1800mm bench - 840 & 920mm only	BXSL1884XXXX	£470.00





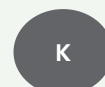
Heavy Duty Storage Workbenches

- Heavy duty bench with heavy duty storage drawers
- Suitable for heavy duty applications such as engineering and manufacturing
- Powder coated light grey framework
- Steel plate, birch hardwood, linoleum or laminate worktop options
- Full range of accessories available including drawers, cupboards, shelves, louvre panels and service ducts
- Standard bench height: 840mm - 760 and 920mm also available



Cabinet Carcass Colour Options

★ Please insert colour character into code



Dark Grey



Dark Blue



Green

Worktop Options

Steel Plate Worktop
1.6mm thick overlay on 25mm timber core

Size H.W.D.	Code	Price
840.1500.750	BS841575SLXX	£444.00
840.1500.900	BS841590SLXX	£479.00
840.1800.750	BS841875SLXX	£511.00
840.1800.900	BS841890SLXX	£549.00

Linoleum Worktop
30mm thick

Size H.W.D.	Code	Price
840.1500.750	BS841575LXX	£421.00
840.1500.900	BS841590LXX	£445.00
840.1800.750	BS841875LXX	£459.00
840.1800.900	BS841890LXX	£506.00

Hardwood Worktop
25mm thick Birch Ply

Size H.W.D.	Code	Price
840.1500.750	BS841575HLXX	£391.00
840.1500.900	BS841590HLXX	£425.00
840.1800.750	BS841875HLXX	£439.00
840.1800.900	BS841890HLXX	£487.00

Laminate Worktop
30mm thick

Size H.W.D.	Code	Price
840.1500.750	BS841575PLXX	£412.00
840.1500.900	BS841590PLXX	£436.00
840.1800.750	BS841875PLXX	£450.00
840.1800.900	BS841890PLXX	£497.00

Lower Shelves - 580mm Deep - Linoleum

To Fit W.D.	Code	Price
1500mm Bench With 0 Cabinets	BZLSNC158XXX	£115.00
1500mm Bench With 1 Cabinets	BZLS1C158XXX	£107.00
1800mm Bench With 0 Cabinets	BZLSNC188XXX	£129.00
1800mm Bench With 1 Cabinets	BZLS1C188XXX	£117.00
1800mm Bench With 2 Cabinets	BZLS2C188XXX	£105.00

Lower Shelves - 580mm Deep - MFC

To Fit W.D.	Code	Price
1500mm Bench With 0 Cabinets	BZLSNC15GXXX	£79.00
1500mm Bench With 1 Cabinets	BZLS1C15GXXX	£73.00
1800mm Bench With 0 Cabinets	BZLSNC18GXXX	£89.00
1800mm Bench With 1 Cabinets	BZLS1C18GXXX	£80.00
1800mm Bench With 2 Cabinets	BZLS2C18GXXX	£70.00

Lower Shelves - 580mm Deep - Laminate

To Fit W.D.	Code	Price
1500mm Bench With 0 Cabinets	BZLSNC15PXXX	£111.00
1500mm Bench With 1 Cabinets	BZLS1C15PXXX	£103.00
1800mm Bench With 0 Cabinets	BZLSNC18PXXX	£124.00
1800mm Bench With 1 Cabinets	BZLS1C18PXXX	£113.00
1800mm Bench With 2 Cabinets	BZLS2C18PXXX	£101.00



1 x 100 & 3 x 150mm Drawers

Code	Price
BZDRAW04X*DX	£561.00

Cupboard With Shelf

Code	Price
BZCBDXSHX*EX	£198.00

2 x 100mm Drawers & Filing Drawer

Code	Price
BZDRAW03X*FX	£476.00

2 x 100mm Drawers & Cupboard

Code	Price
BZCBDR02X*CX	£298.00

4 x 100 & 1 x 150mm Drawer

Code	Price
BZDRAW05X*BX	£603.00

2 x 100, 1 x 150 & 1 x 200mm Drawer

Code	Price
BZDRAW04X*AX	£543.00

Heavy Duty Storage Bench Accessories			
Key	Description	Code	Price
A	760mm Rear Support Posts	BESP760SXXXX	£43.00
A	1180mm Rear Support Posts	BESP1180XXXX	£53.00
B	Upper shelf 300mm MFC for 1200mm bench	BEUS1200GXXX	£64.00
B	Upper shelf 300mm Linoleum for 1200mm bench	BEUS12008XXX	£72.00
B	Upper shelf 300mm Laminate for 1200mm bench	BEUS1200PXXX	£68.00
B	Upper shelf 300mm MFC for 1500mm bench	BEUS1500GXXX	£78.00
B	Upper shelf 300mm Linoleum for 1500mm bench	BEUS15008XXX	£86.00
B	Upper shelf 300mm Laminate for 1500mm bench	BEUS1500PXXX	£81.00
B	Upper shelf 300mm MFC for 1800mm bench	BEUS1800GXXX	£90.00
B	Upper shelf 300mm Linoleum for 1800mm bench	BEUS18008XXX	£103.00
B	Upper shelf 300mm Laminate for 1800mm bench	BEUS1800PXXX	£98.00
C	Light/Tool Rail Support for 1200mm bench	BERS1200XLXX	£54.00

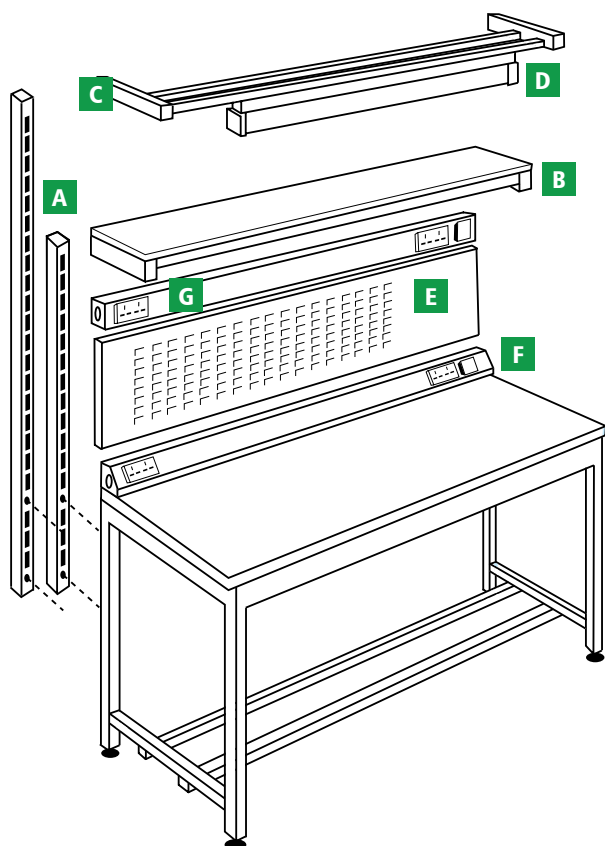
Heavy Duty Storage Bench Accessories			
Key	Description	Code	Price
C	Light/Tool Rail Support for 1500mm bench	BERS1500XLXX	£58.00
C	Light/Tool Rail Support for 1800mm bench	BERS1800XLXX	£60.00
D	Fluorescent Light	BELF1200XLXX	£31.00
E	Louvred back panel with pinboard for 1200mm bench	BELO4812IXXX	£100.00
E	Louvred back panel with pinboard for 1500mm bench	BELO4815IXXX	£110.00
E	Louvred back panel with pinboard for 1800mm bench	BELO4818IXXX	£122.00
F	Worktop service duct for 1200mm bench	BESDWT122XXX	£84.00
F	Worktop service duct for 1500mm bench	BESDWT15XXXX	£86.00
F	Worktop service duct for 1800mm bench	BESDWT18XXXX	£90.00
G	Post fitted service duct for 1200mm bench	BESDSP12XXXX	£92.00
G	Post fitted service duct for 1500mm bench	BESDSP15XXXX	£95.00
G	Post fitted service duct for 1800mm bench	BESDSP18XXXX	£97.00



Static Dissipative General Purpose Workbenches



- General workshop bench with static dissipative properties
- Suitable for use as an assembly or repair bench in the electrical and electronic industries
- A leg in each corner gives firm support
- Powder coated light grey framework
- Norastat or Lamstat worktop options available
- Full range of accessories available including wrist straps, circuit breakers and earth/ground leads
- Standard bench height: 840mm - 760 and 920mm also available



Worktop Options



Norastat Worktop
20mm thick 10^5 10^7 ohms



Size H.W.D.	Code	Price
840.900.600	BQ849060NLXX	£180.00
840.1200.600	BQ841260NLXX	£252.00
840.1200.750	BQ841275NLXX	£275.00
840.1200.900	BQ841290NLXX	£297.00
840.1500.600	BQ841560NLXX	£284.00
840.1500.750	BQ841575NLXX	£311.00
840.1500.900	BQ841590NLXX	£341.00
840.1800.600	BQ841860NLXX	£324.00
840.1800.750	BQ841875NLXX	£350.00
840.1800.900	BQ841890NLXX	£368.00



Lamstat Worktop
20mm thick 10^6 10^8 ohms



Size H.W.D.	Code	Price
840.900.600	BQ849060LLXX	£200.00
840.1200.600	BQ841260LLXX	£280.00
840.1200.750	BQ841275LLXX	£306.00
840.1200.900	BQ841290LLXX	£330.00
840.1500.600	BQ841560LLXX	£316.00
840.1500.750	BQ841575LLXX	£345.00
840.1500.900	BQ841590LLXX	£379.00
840.1800.600	BQ841860LLXX	£360.00
840.1800.750	BQ841875LLXX	£389.00
840.1800.900	BQ841890LLXX	£409.00

Extension Benches

Size H.W.D.	Code	Price
840.900.600	BQ849060NLET	£161.00
840.1200.600	BQ841260NLET	£240.00
840.1200.750	BQ841275NLET	£259.00

Extension Benches

Size H.W.D.	Code	Price
840.900.600	BQ849060LLET	£179.00
840.1200.600	BQ841260LLET	£267.00
840.1200.750	BQ841275LLET	£288.00

Lower Shelves - 450mm Deep

To Fit W.D.	Code	Price
1200.600	BELS1145NLXX	£95.00
1500.600	BELS1445NLXX	£115.00
1800.600	BELS1745NLXX	£124.00

Lower Shelves - 450mm Deep

To Fit W.D.	Code	Price
1200.600	BELS1145LLXX	£105.00
1500.600	BELS1445LLXX	£128.00
1800.600	BELS1745LLXX	£138.00



Flat Screen Support Arm

Code	Price
BEMONARMFLSC	£93.00



Drawer & Cupboard Front Colour Options

Please add corresponding letters to code

KXX	BXX	GXX	RXX
Dark Grey	Dark Blue	Green	Red

Single Drawer
220 x 420 x 420

Code	Price
BEDR04021	£113.00

Triple Drawer
435 x 420 x 420

Code	Price
BEDR04043	£194.00

Storage Cupboard
435 x 420 x 420

Code	Price
BECU04041	£113.00

Static Dissipative General Purpose Bench Accessories

Key	Description	Code	Price
A	760mm Rear Support Posts	BESP760SXXX	£43.00
A	1180mm Rear Support Posts	BESP1180SXXX	£53.00
B	Upper shelf 300mm Norastat for 1200mm bench	BEUS1200NXXX	£93.00
B	Upper shelf 300mm Lamstat for 1200mm bench	BEUS1200LXXX	£103.00
B	Upper shelf 300mm Norastat for 1500mm bench	BEUS1500NXXX	£116.00
B	Upper shelf 300mm Lamstat for 1500mm bench	BEUS1500LXXX	£129.00
B	Upper shelf 300mm Norastat for 1800mm bench	BEUS1800NXXX	£129.00
B	Upper shelf 300mm Lamstat for 1800mm bench	BEUS1800LXXX	£143.00
C	Light/Tool Rail Support for 1200mm bench	BERS1200XLXX	£54.00
C	Light/Tool Rail Support for 1500mm bench	BERS1500XLXX	£58.00
C	Light/Tool Rail Support for 1800mm bench	BERS1800XLXX	£60.00
D	Fluorescent Light	BELF1200XLXX	£31.00
E	Louvred back panel with pinboard for 1200mm bench	BELO4812ZXXX	£105.00
E	Louvred back panel with pinboard for 1500mm bench	BELO4815ZXXX	£116.00

Static Dissipative General Purpose Bench Accessories

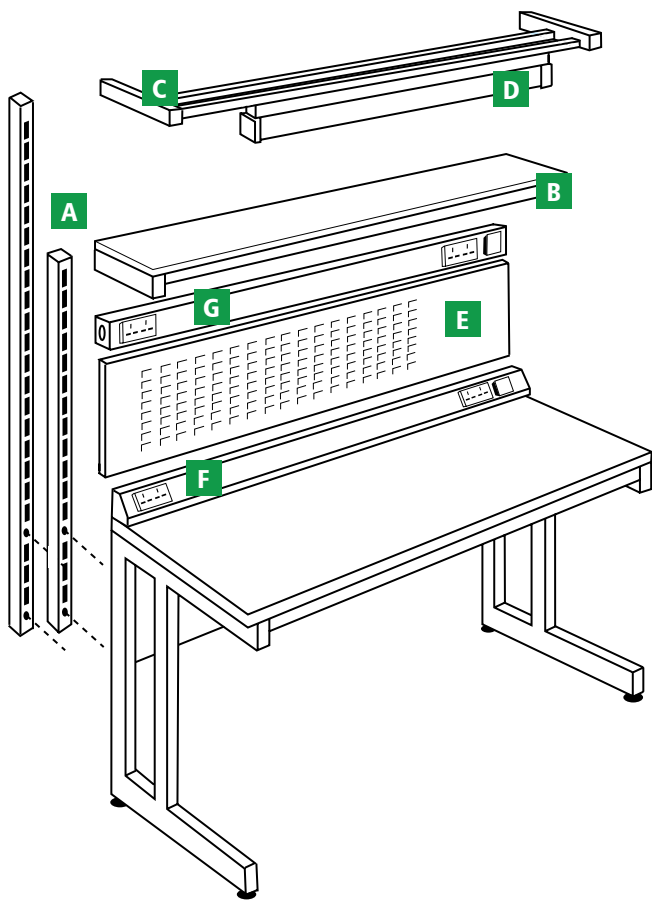
Key	Description	Code	Price
E	Louvred back panel with pinboard for 1800mm bench	BELO4818ZXXX	£129.00
F	Worktop service duct for 1200mm bench	BESDWT122XXX	£84.00
F	Worktop service duct for 1500mm bench	BESDWT15XXX	£86.00
F	Worktop service duct for 1800mm bench	BESDWT18XXX	£90.00
G	Post fitted service duct for 1200mm bench	BESDSP12XXXX	£92.00
G	Post fitted service duct for 1500mm bench	BESDSP15XXXX	£95.00
G	Post fitted service duct for 1800mm bench	BESDSP18XXXX	£97.00
H	RCB circuit breaker	BERCBCIBXXXX	£60.00
I	Wrist strap with 10mm stud or 4mm banana	BEWRISTRXXXX	£18.00
J	Earth/ground lead with 1m ohm resistor	BEEARGROXXXX	£10.00
K	Earth/ground lead with 3 pin plug	BEEALEAD3PIN	£17.00
	Insulating strip - required for Worktop Service Ducts	BESERINSXXXX	£5.00
	Double Data Socket	BEDDSBPXXXX	£29.70



Static Dissipative General Purpose Cantilever Workbenches



- General workshop bench with static dissipative properties
- Suitable for use as an assembly or repair bench in the electrical and electronic industries
- Cantilever construction allows for maximum leg room
- Powder coated light grey framework
- Norastat or Lamstat worktop options available
- Full range of accessories available including wrist straps, circuit breakers and earth/ground leads
- Standard bench height: 840mm - 760 and 920mm also available



Worktop Options

Norastat Worktop
20mm thick 10⁵ 10⁷ ohms

Size H.W.D.	Code	Price
840.1200.750	BC841275NLXX	£353.00
840.1200.900	BC841290NLXX	£369.00
840.1500.750	BC841575NLXX	£386.00
840.1500.900	BC841590NLXX	£416.00
840.1800.750	BC841875NLXX	£428.00
840.1800.900	BC841890NLXX	£452.00

Lamstat Worktop
20mm thick 10⁶ 10⁸ ohms

Size H.W.D.	Code	Price
840.1200.750	BC841275LLXX	£392.00
840.1200.900	BC841290LLXX	£410.00
840.1500.750	BC841575LLXX	£429.00
840.1500.900	BC841590LLXX	£462.00
840.1800.750	BC841875LLXX	£476.00
840.1800.900	BC841890LLXX	£502.00

Extension Benches

Size H.W.D.	Code	Price
840.600.600	BC846060NLXX	£210.00
840.900.600	BC849060NLXX	£213.00
840.1200.600	BC841260NLXX	£296.00

Extension Benches

Size H.W.D.	Code	Price
840.600.600	BC846060LLXX	£233.00
840.900.600	BC849060LLXX	£237.00
840.1200.600	BC841260LLXX	£329.00



Flat Screen Support Arm

Code	Price
BEMONARMFLSC	£93.00



Drawer & Cupboard Front Colour Options
Please add corresponding letters to code

Dark Grey	Dark Blue	Green	Red

Single Drawer
220 x 420 x 420

Code	Price
BEDR04021	£113.00

Triple Drawer
435 x 420 x 420

Code	Price
BEDR04043	£194.00

Storage Cupboard
435 x 420 x 420

Code	Price
BECU04041	£113.00

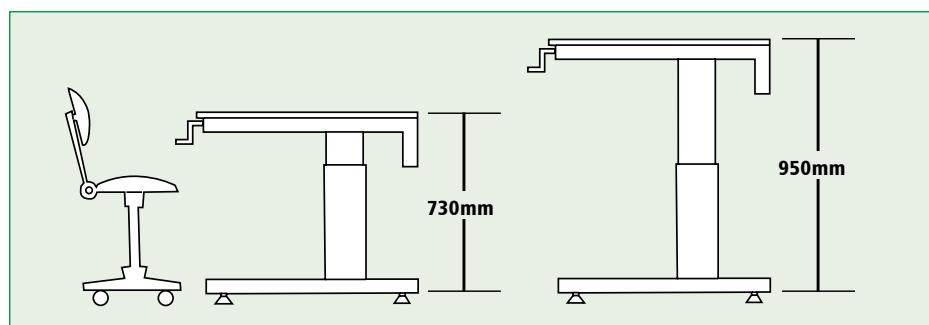
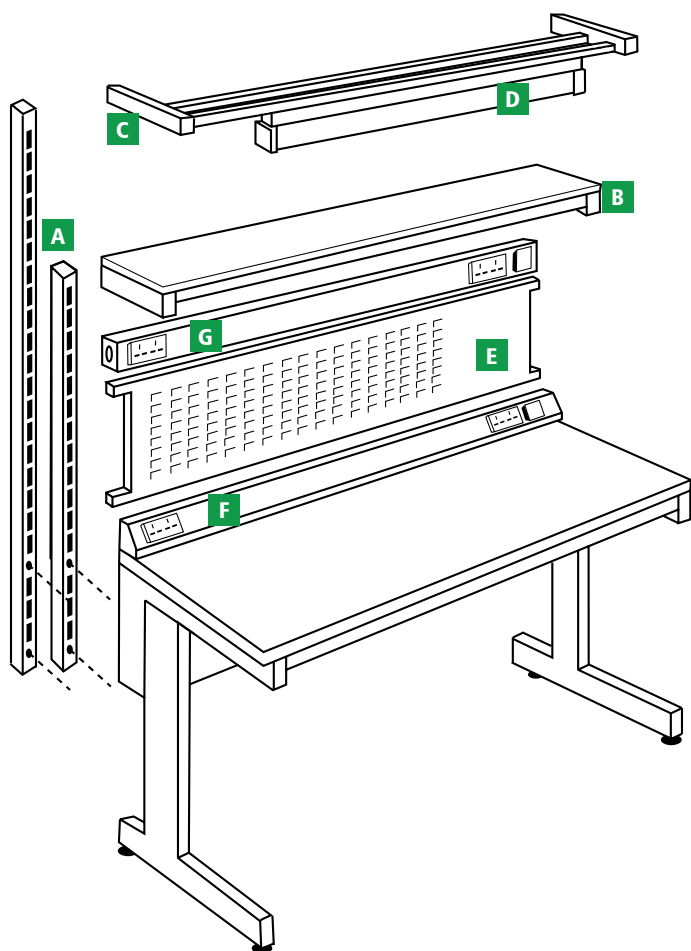
Static Dissipative General Purpose Bench Accessories			
Description	Code	Price	
A 760mm Rear Support Posts	BESP760SXXXX	£43.00	
A 1180mm Rear Support Posts	BESP1180XXXX	£53.00	
B Upper shelf 300mm Norastat for 1200mm bench	BEUS1200NXXX	£93.00	
B Upper shelf 300mm Lamstat for 1200mm bench	BEUS1200LXXX	£103.00	
B Upper shelf 300mm Norastat for 1500mm bench	BEUS1500NXXX	£116.00	
B Upper shelf 300mm Lamstat for 1500mm bench	BEUS1500LXXX	£129.00	
B Upper shelf 300mm Norastat for 1800mm bench	BEUS1800NXXX	£129.00	
B Upper shelf 300mm Lamstat for 1800mm bench	BEUS1800LXXX	£143.00	
C Light/Tool Rail Support for 1200mm bench	BERS1200XLXX	£54.00	
C Light/Tool Rail Support for 1500mm bench	BERS1500XLXX	£58.00	
C Light/Tool Rail Support for 1800mm bench	BERS1800XLXX	£60.00	
D Fluorescent Light	BELF1200XLXX	£31.00	
E Louvred back panel with pinboard for 1200mm bench	BELO4812ZXXX	£105.00	
E Louvred back panel with pinboard for 1500mm bench	BELO4815ZXXX	£116.00	

Static Dissipative General Purpose Bench Accessories			
Description	Code	Price	
E Louvred back panel with pinboard for 1800mm bench	BELO4818ZXXX	£129.00	
F Worktop service duct for 1200mm bench	BESDWT122XXX	£84.00	
F Worktop service duct for 1500mm bench	BESDWT15XXXX	£86.00	
F Worktop service duct for 1800mm bench	BESDWT18XXXX	£90.00	
G Post fitted service duct for 1200mm bench	BESDSP12XXXX	£92.00	
G Post fitted service duct for 1500mm bench	BESDSP15XXXX	£95.00	
G Post fitted service duct for 1800mm bench	BESDSP18XXXX	£97.00	
H RCB circuit breaker	BERCBCIBXXXX	£60.00	
I Wrist strap with 10mm stud or 4mm banana	BEWRISTRXXXX	£18.00	
Earth/ground lead with 1m ohm resistor	BEEARGROXXXX	£10.00	
Earth/ground lead with 3 pin plug	BEEALEAD3PIN	£17.00	
Insulating strip - required for Worktop Service Ducts	BEEARGROXXXX	£10.00	
Double Data Socket	BEDDSBPPXXXX	£29.70	



Premium Height Adjustable Workbenches

- Height adjustable bench suitable for heavy use in assembly, production and engineering
- Adjustable in height from 730mm to 950mm
- Powder coated light grey framework
- Full range of accessories available including drawers, cupboards, shelves, louvre panels and service ducts
- Static dissipative worktops also available - please contact sales for details



Worktop Options

Linoleum Worktop
20mm thick



Laminate Worktop
20mm thick



Size W.D.	Code	Price
900.600	BA7990608LXX	£500.00
1200.600	BA7912608LXX	£567.00
1200.750	BA7912758LXX	£584.00
1500.600	BA7915608LXX	£594.00
1500.750	BA7915758LXX	£626.00
1800.600	BA7918608LXX	£642.00
1800.750	BA7918758LXX	£671.00

Size W.D.	Code	Price
900.600	BA799060PLXX	£491.00
1200.600	BA791260PLXX	£558.00
1200.750	BA791275PLXX	£575.00
1500.600	BA791560PLXX	£585.00
1500.750	BA791575PLXX	£617.00
1800.600	BA791860PLXX	£633.00
1800.750	BA791875PLXX	£662.00





Drawer & Cupboard Front Colour Options

Please add corresponding letters to code

KXX

Dark Grey

BXX

Dark Blue

GXX

Green

RXX

Red

**Single Drawer
220 x 420 x 420**

Code	Price
BEDR04021	£113.00

**Triple Drawer
435 x 420 x 420**

Code	Price
BEDR04043	£194.00

**Storage Cupboard
435 x 420 x 420**

Code	Price
BECU04041	£113.00

Premium Height Adjustable Bench Accessories

Key	Description	Code	Price
A	760mm Rear Support Posts	BESP760SXXX	£43.00
A	1180mm Rear Support Posts	BESP1180XXX	£53.00
B	Upper shelf 300mm Linoleum for 1200mm bench	BEUS12008XXX	£72.00
B	Upper shelf 300mm Laminate for 1200mm bench	BEUS1200PXXX	£68.00
B	Upper shelf 300mm Linoleum for 1500mm bench	BEUS15008XXX	£86.00
B	Upper shelf 300mm Laminate for 1500mm bench	BEUS1500PXXX	£81.00
B	Upper shelf 300mm Linoleum for 1800mm bench	BEUS18008XXX	£103.00
B	Upper shelf 300mm Laminate for 1800mm bench	BEUS1800PXXX	£98.00
C	Light/Tool Rail Support for 1200mm bench	BERS1200XLXX	£54.00
C	Light/Tool Rail Support for 1500mm bench	BERS1500XLXX	£58.00
C	Light/Tool Rail Support for 1800mm bench	BERS1800XLXX	£60.00

Premium Height Adjustable Bench Accessories

Key	Description	Code	Price
D	Fluorescent Light	BELF1200XLXX	£31.00
E	Louvred back panel with pinboard for 1200mm bench	BELO4812XXX	£100.00
E	Louvred back panel with pinboard for 1500mm bench	BELO4815XXX	£110.00
E	Louvred back panel with pinboard for 1800mm bench	BELO4818XXX	£122.00
F	Worktop service duct for 1200mm bench	BESDWT122XXX	£84.00
F	Worktop service duct for 1500mm bench	BESDWT15XXXX	£86.00
F	Worktop service duct for 1800mm bench	BESDWT18XXXX	£90.00
G	Post fitted service duct for 1200mm bench	BESDSP12XXXX	£92.00
G	Post fitted service duct for 1500mm bench	BESDSP15XXXX	£95.00
G	Post fitted service duct for 1800mm bench	BESDSP18XXXX	£97.00



Cost Saver Height Adjustable Workstations

- Height adjustable workstation suitable for general use in assembly, light engineering and laboratories
- Adjustable in height from 730mm to 950mm
- Powder coated dark grey framework
- No more banged knuckles - desk can even be adjusted when positioned flush against a wall
- Removeable adjustment handle
- Does not accept bench accessories

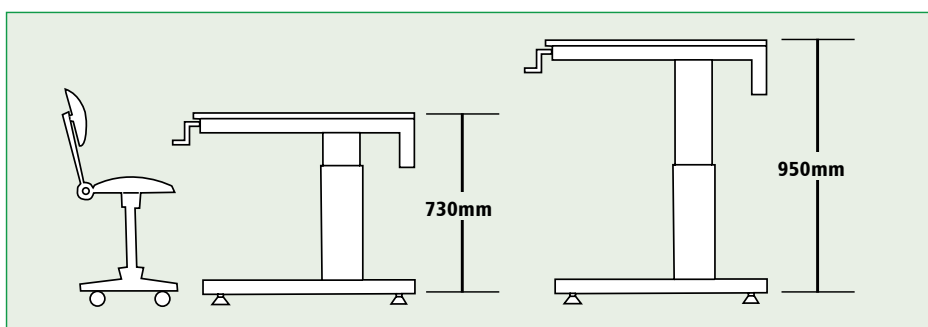


Worktop Options

Laminate Worktop
20mm thick



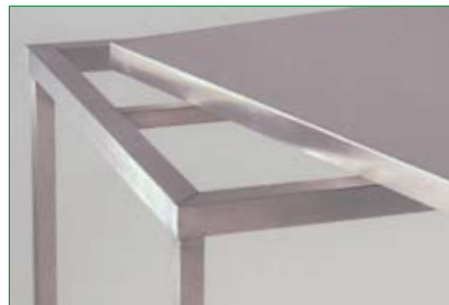
Size W.D.	Code	Price
DA796060PLXX	£194.00	£216.00
DA791260PLXX	£272.00	£302.00
DA791275PLXX	£283.00	£314.00
DA791860PLXX	£330.00	£367.00
DA791875PLXX	£353.00	£392.00





Stainless Steel Worktables

- Stainless steel worktables are ideal for food preparation, hospitals and any other environment where hygiene is essential
- Easy to clean removable worktops and shelves
- A range of accessories is available including drawers, cupboards and upper and lower shelves
- Adjustable levelling feet for uneven surfaces



Stainless Steel Drawer		
Size H.W.D.	Code	Price
150.420.420	BRDRAWERXXXX	£221.00



Stainless Steel Cupboard		
Size H.W.D.	Code	Price
1435.420.420	BRCUPBRDXXXX	£225.00



Single Tier Upper Shelf - 300mm High		
Size H.W.D.	Code	Price
300.1200.300	BRUS123SXXXX	£128.00
300.1500.300	BRUS153SXXXX	£150.00
300.1800.300	BRUS183SXXXX	£165.00

Double Tier Upper Shelf - 600mm High		
Size H.W.D.	Code	Price
600.1200.300	BRUS126DXXXX	£195.00
600.1500.300	BRUS156DXXXX	£212.00
600.1800.300	BRUS186DXXXX	£239.00

Stainless Steel Worktable Only		
Size H.W.D.	Code	Price
840.1200.600	BT841260XSXX	£382.00
840.1200.750	BT841275XSXX	£411.00
840.1200.900	BT841290XSXX	£441.00
840.1500.600	BT841560XSXX	£438.00
840.1500.750	BT841575XSXX	£479.00
840.1500.900	BT841590XSXX	£489.00
840.1500.600	BT841860XSXX	£489.00
840.1500.750	BT841875XSXX	£519.00
840.1500.900	BT841890XSXX	£556.00

Stainless Steel Worktable & Lower Shelf		
Size H.W.D.	Code	Price
840.1200.600	BT841260JSXX	£510.00
840.1200.750	BT841275JSXX	£546.00
840.1200.900	BT841290JSXX	£577.00
840.1500.600	BT841560JSXX	£584.00
840.1500.750	BT841575JSXX	£634.00
840.1500.900	BT841590JSXX	£644.00
840.1500.600	BT841860JSXX	£643.00
840.1500.750	BT841875JSXX	£685.00
840.1500.900	BT841890JSXX	£722.00



Flat Top Workdesks

- Ideal for paperwork based environments including goods inwards, despatch and assembly areas
- Available with cupboard or open shelves
- Fitted with lockable storage drawer and 2 powder coated adjustable shelves
- Accessories available including backboard, tool clips, extra shelves and mobile bases

Flat Top Workdesk With Security Cupboard

Size H.W.D.	Code	Price
980.920.450	DW989246D	£224.00



Flat Top Workdesk With Open Shelves

Size H.W.D.	Code	Price
980.920.450	DW9892460	£206.00



Sloping Top Workdesks

- Ideal for ease of use as a writing station
- Available with cupboard or open shelves
- Fitted with lockable storage drawer and 2 powder coated adjustable shelves
- Accessories available including backboard, tool clips, extra shelves and mobile bases

Sloping Top Workdesk With Security Cupboard

Size H.W.D.	Code	Price
1100.920.450	DW119246D	£239.00



Sloping Top Workdesk With Open Shelves

Size H.W.D.	Code	Price
1100.920.450	DW119246X	£221.00

Sloping Top Workdesk With Open Shelves

Description	Code	Price
Backboard	DKBACKBDXXXX	£92.00
Tool Clip Kit (Pack Of 6)	BETCLIPXXXX	£17.00
Magnetic Pins (Pack Of 6)	DKMAGPINQXXX	£20.00
Mobile Base With Castors	DKCASTORXXXX	£53.00
Extra Shelf	DKCBDSHFXXXX	£27.00



Drawer & Cupboard Front Colour Options

Please add corresponding letters to code

KXX

Dark Grey

BXX

Dark Blue



Additional Workbench Accessories

Bench Key Guide:

GP - General Purpose Bench - Pages 76 & 77


CL - General Purpose Cantilever Bench - Pages 78 & 79

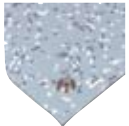
HDS - Heavy Duty Storage Bench - Pages 82 & 83

SGP - Static Dissipative General Purpose Bench - Pages 84 & 85


SCL - Static Dissipative Cantilever Bench - Pages 86 & 87


PHA - Premium Height Adjustable Bench - Pages 88 & 89


Anti-Static Combi Panel - Louvred/Punched		To suit benches					Code	Price	
- For 1200mm Bench					SGP	SCL	PHA	BECP4812ZXXX	£105.00
- For 1500mm Bench					SGP	SCL	PHA	BECP4815ZXXX	£116.00
- For 1800mm Bench					SGP	SCL	PHA	BECP4818ZXXX	£129.00


Anti-Static Floor Mat		To suit benches					Code	Price	
- 1200 x 1500mm					SGP	SCL	PHA	BEFLMA15XXXX	£75.00
- 1200 x 2000mm					SGP	SCL	PHA	BEFLMA20XXXX	£124.00
- 1200 x 3000mm					SGP	SCL	PHA	BEFLMA30XXXX	£185.00


Category 2 Light		To suit benches					Code	Price	
- 1200mm Long		GP	CL		SGP	SCL	PHA	BEL21200XLXX	£96.00

Combi Panel - Louvred/Punched		To suit benches					Code	Price	
- For 1200mm Bench		GP	CL	HDS			PHA	BECP4812IXXX	£100.00
- For 1500mm Bench		GP	CL	HDS			PHA	BECP4815IXXX	£110.00
- For 1800mm Bench		GP	CL	HDS			PHA	BECP4818IXXX	£122.00


Cupboards & Drawers - 560.420.420		To suit benches					Code	Price	
- Three Drawers		GP	CL	HDS	SGP	SCL	PHA	BEDR04053	£215.00
- Single Drawer & Cupboard		GP	CL	HDS	SGP	SCL	PHA	BEDC04052	£181.00
- Storage Cupboard		GP	CL	HDS	SGP	SCL	PHA	BEUC04051	£123.00

Cupboards (Mobile) - 685.420.420		To suit benches					Code	Price	
- Three Drawers		GP	CL	HDS	SGP	SCL	PHA	BEDR04053	£232.00
- Single Drawer & Cupboard		GP	CL	HDS	SGP	SCL	PHA	BEDC04052	£196.00
- Storage Cupboard		GP	CL	HDS	SGP	SCL	PHA	BEUC04051	£131.00

Height Adjustable Leg Inserts		To suit benches					Code	Price	
- Pack Of 4		GP			SGP			BEHADJLIXXXX	£39.00

Notice/Pinboard		To suit benches					Code	Price	
- For 1200mm Bench		GP	CL	HDS			PHA	BENP4812XXXX	£68.00
- For 1500mm Bench		GP	CL	HDS			PHA	BENP4815XXXX	£74.00
- For 1800mm Bench		GP	CL	HDS			PHA	BENP4818XXXX	£78.00

RCB Circuit Breaker		To suit benches					Code	Price	
- Circuit Breaker		GP	CL	HDS	SGP	SCL	PHA	BERCBCIBXXXX	£60.00

Shelf Backstop - 50mm Deep		To suit benches					Code	Price	
- For 1200mm Bench		GP	CL	HDS	SGP	SCL	PHA	BESB1200XLXX	£18.00
- For 1500mm Bench		GP	CL	HDS	SGP	SCL	PHA	BESB1500XLXX	£22.00
- For 1800mm Bench		GP	CL	HDS	SGP	SCL	PHA	BESB1800XLXX	£26.00

Cupboard Door Colour Options

Please add corresponding letters to code



Mobile Cupboard Front Colour Options

Please add corresponding letters to code





Additional Workbench Accessories

Bench Key Guide:

GP - General Purpose Bench - Pages 76 & 77

CL - General Purpose Cantilever Bench - Pages 78 & 79

HDS - Heavy Duty Storage Bench - Pages 82 & 83

SGP - Static Dissipative General Purpose Bench - Pages 84 & 85

SCL - Static Dissipative Cantilever Bench - Pages 86 & 87

PHA - Premium Height Adjustable Bench - Pages 88 & 89

Storage Bin Rails		To suit benches						Code	Price
- For 1200mm Bench		GP	CL	HDS	SGP	SCL	PHA	BESTBR12XXXX	£41.00
- For 1500mm Bench		GP	CL	HDS	SGP	SCL	PHA	BESTBR15XXXX	£49.00
- For 1800mm Bench		GP	CL	HDS	SGP	SCL	PHA	BESTBR18XXXX	£57.00
Storage Boxes - Anti-Static		To suit benches						Code	Price
- 100.90.55 - Single Compartment		GP	CL	HDS	SGP	SCL	PHA	BESB90551XXX	£3.00
- 100.90.55 - Double Compartment		GP	CL	HDS	SGP	SCL	PHA	BESB90552XXX	£3.00
- 100.160.75 - Single Compartment		GP	CL	HDS	SGP	SCL	PHA	BESB6075XXXX	£4.00
- 100.160.125 - Single Compartment		GP	CL	HDS	SGP	SCL	PHA	BESB6025XXXX	£8.00
Storage Drawer Dividers - Front To Back		To suit benches						Code	Price
- 100.610 Pack Of 6				HDS				ED100FTB2XXX	£39.00
- 150.610 Pack Of 6				HDS				ED150FTB2XXX	£61.00
- 200.610 Pack Of 6				HDS				ED200FTB2XXX	£70.00
Storage Foam Drawer Liners - 5mm		To suit benches						Code	Price
- 615.610				HDS				EL615610XXX	£18.00
Storage Drawer Sub Dividers - Side To Side		To suit benches						Code	Price
- 100.125 Pack Of 6				HDS				ES1001252XXX	£14.00
- 150.125 Pack Of 6				HDS				ES1501252XXX	£15.00
- 200.125 Pack Of 6				HDS				ES2001252XXX	£17.00
- 100.200 Pack Of 6				HDS				ES1002002XXX	£14.00
- 150.200 Pack Of 6				HDS				ES1502002XXX	£23.00
- 200.200 Pack Of 6				HDS				ES2002002XXX	£25.00
- 100.275 Pack Of 6				HDS				ES1002752XXX	£16.00
- 150.275 Pack Of 6				HDS				ES1502752XXX	£26.00
- 200.275 Pack Of 6				HDS				ES2002752XXX	£29.00
Tool Clips		To suit benches						Code	Price
- Pack Of 6		GP	CL	HDS	SGP	SCL	PHA	BETCLIPSXXXX	£17.00
Tool Rails		To suit benches						Code	Price
- 1200mm Long With Sliding Hooks		GP	CL	HDS	SGP	SCL	PHA	BETR1200XLXX	£69.00
- 1500mm Long With Sliding Hooks		GP	CL	HDS	SGP	SCL	PHA	BETR1500XLXX	£80.00
- 1800mm Long With Sliding Hooks		GP	CL	HDS	SGP	SCL	PHA	BETR1800XLXX	£90.00
- Extra Roll Wheels For Tool Rails		GP	CL	HDS	SGP	SCL	PHA	BEEEXROWHXLXX	£8.00
Spring Tool Balance		To suit benches						Code	Price
- Max Load 2kg		GP	CL		SGP	SCL	PHA	BESPRBALXLXX	£55.00