



RWM 1100 Ltr Bin Press

Product Specification

RWM 1100 Ltr Bin Press

Effortlessly Manage Wheelie Bin Waste

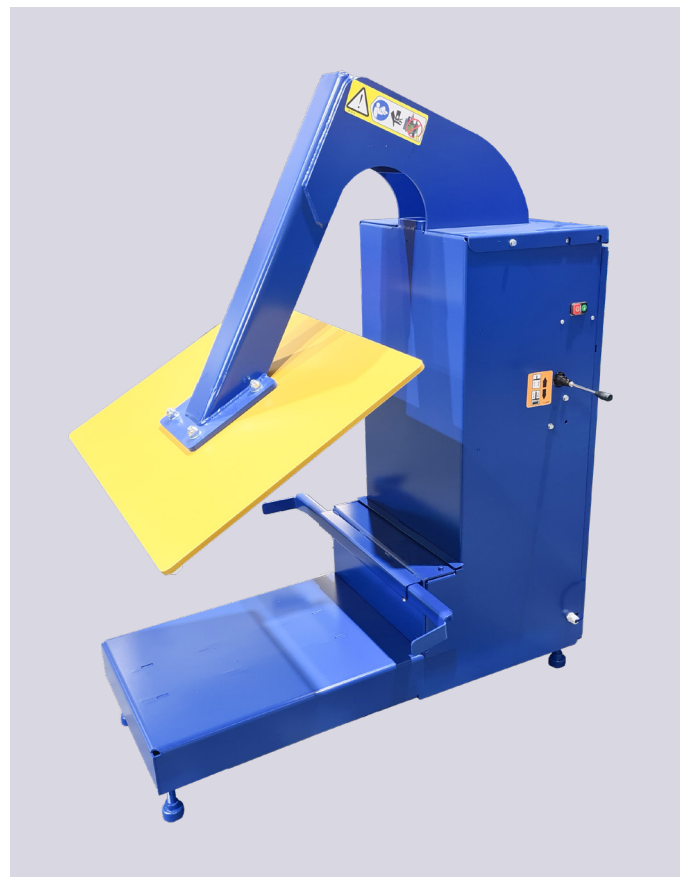
A Riverside wheelie bin press is a modern, cost-effective solution for reducing waste volumes by up to 90%. Designed for all business types, it features simple, user-friendly controls for easy operation. By compacting waste directly in the bin, it minimises collections, lowers disposal costs, and improves site efficiency while keeping waste areas cleaner and more organised.

Basic Specification

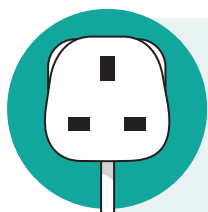
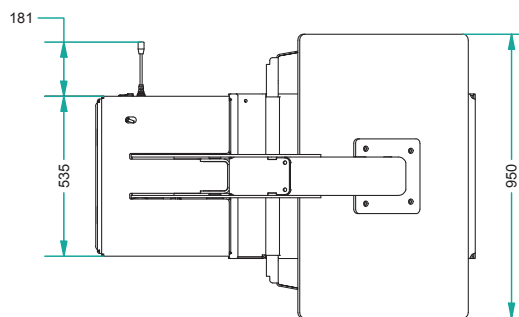
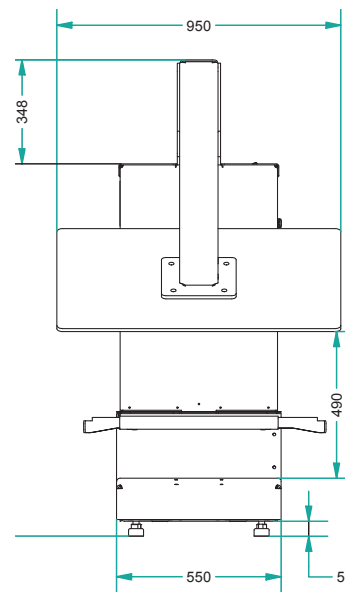
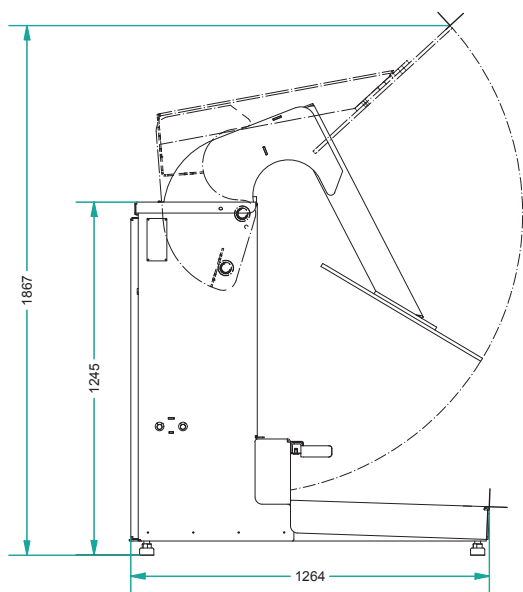
- ✓ 12 months warranty
- ✓ Perfect for a standard 1100 litre wheelie bin
- ✓ Compaction ratio of 3:1 (depending on material used)
- ✓ Can be sited outside
- ✓ 13amp single phase electrics
- ✓ 3.5 tonne press force
- ✓ Simple operator controls
- ✓ Two handed operation for safety

Features

- ✓ Compatible with 1100 litre wheelie bins
- ✓ Reduces weekly bin collections
- ✓ Incorporated bin lifter ensures bin wheels are not damaged during compaction
- ✓ Compaction ratio 3:1
- ✓ Two handed operations for safe operation



Technical Specifications



- Operating Voltage: 220–240V
- Frequency: 50Hz
- Connector Plug: 13A, single-phase, standard 3-pin (BS 1363) plug
- MCB (Miniature Circuit Breaker): Type C or above

Press Force	3.5 tonnes
Compaction ratio	3:1 depending on material
Cycle Time	20 seconds
Noise	68 decibels
Machine Weight	270kg
Power Supply (kW-V-Hz)	13amp single phase 1.5KW 220-240V - 50Hz
Overall Dimensions (H x W x D)	2120 x 1160 x 1150mm
Transportation Height	1594mm

Optional Extras

Customise your machine with the optional extras listed below – designed to help you get the most from your equipment, and to suit your specific requirements, operational needs, or site layout.



Galvanised finish
Corrosion-resistant coating for outdoor or harsh, wet environments.



Available in 16amp 3 phase
Supplied in 16amp 3 phase to suit your preferred or existing power supply.