



# RWM HZ400-38 T Horizontal Baler

Product Specification

 Horizontal Waste Balers

# RWM HZ400-38 T Horizontal Baler

## Effortlessly Manage High-Volume Waste

A Riverside horizontal semi-automatic baler is the ideal solution for large-scale waste processing, reducing the need for manual handling. Designed for fast loading of cardboard, plastics, cans, and more, it features a low loading height and wide chargebox, perfect for bin tipping, conveyors, or extraction systems. Improve efficiency, cut labour costs, and streamline waste management with ease.

## Basic Specification

- ✓ Vertical (Portcullis type) hydraulic end door
- ✓ Full bale eject of each bale
- ✓ High and low pressure baling modes
- ✓ Low level machine (loading) height
- ✓ Horizontal bale tying 4 wire ties (optional 5 wire)
- ✓ Hardox plated floor and press plate base
- ✓ “V” shaped serrated bale chamber shear blades
- ✓ Anvil type material cutting knives
- ✓ PLC control and diagnostics
- ✓ Enclosed power pack – weather and vandal protection
- ✓ High density mill sized bales with tie off lengths up to 1200mm long



## Benefits

- ✓ Save labour costs with faster loading and fast running cycles
- ✓ Save space and time with fewer high density bales
- ✓ Save money on wire with high density bales
- ✓ Save running costs and reduce power consumption with our latest high efficiency power-pack designs.
- ✓ Low carbon footprint
- ✓ Square edged bales are easier to stack and store
- ✓ Faster loading means cleared up floor space
- ✓ Eliminates storing cardboard and plastics to be baled later
- ✓ Easy operation, semi automatic control
- ✓ High density, high value, mill quality bales
- ✓ Increased payloads and reduced transport costs
- ✓ Robust design, engineered for long life

## Optional Fitouts



Bin Tippers for 120 – 1100  
Litre Wheeled Carts



5 Wire  
Horizontal Ties



Fast Cycle Options  
from 40 Seconds



Text & Email GSM  
Notification System



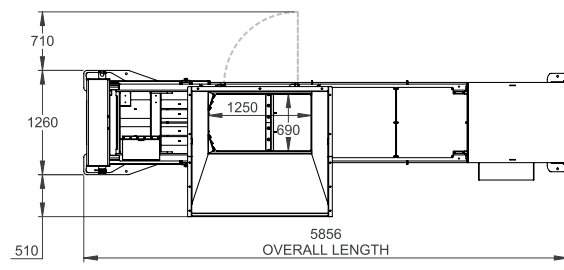
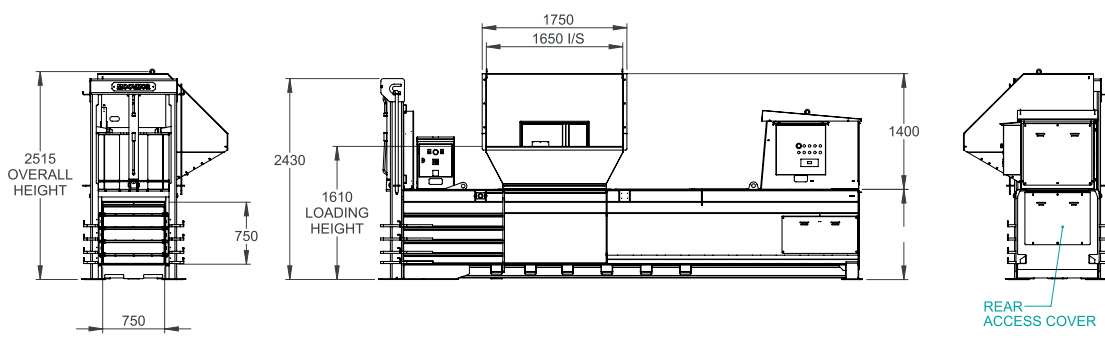
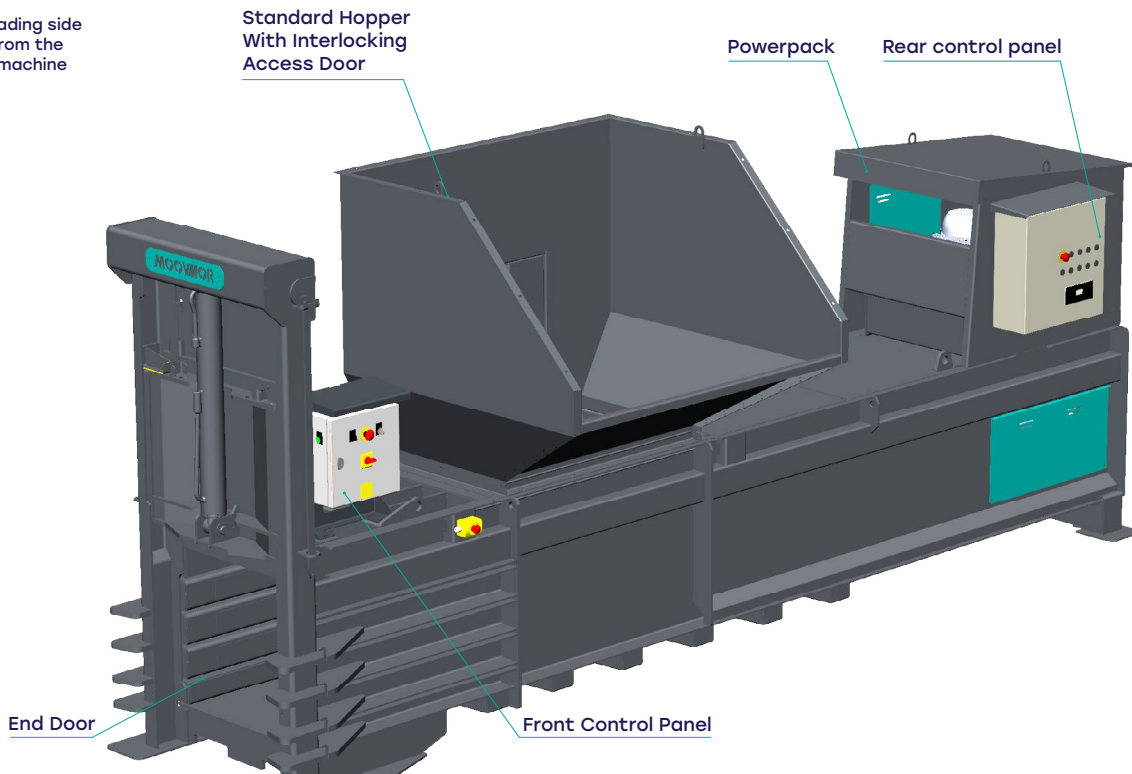
Range of Powerpack  
and Motor Options



Custom Hopper  
Design & Fit-Out

# RWM HZ400-38 T Horizontal Baler

Note: Loading side  
viewed from the  
back of machine



For sales purposes only.  
Dimensions subject to change.

# Technical Specifications

Bale Size (Nominal: H x W x L)	750 x 750 x 1200mm
Bale Weight (Up To & Material Dependant)	400kg
Feed Opening (Nominal: L x W)	1250 x 710mm
Motor Power	5.5 kW, 32A
Power Supply	3 PH + N + E, 400V, 50Hz
Noise Level	80 d BA
Wire Tying (Horizontal Tying)	4 Tie Slots
Baling Wire Holder (Optional Tape Holder)	STD
Bale Counter & Hours Run Feature	STD
Compaction Pressure - Up To (Tonnes)	38T
Standard Cyle (Seconds)	60 seconds
Fast Cycle Option (Seconds)	40 seconds
Additional Power Pack Options	N/A
Overall Length	5790mm
Overall Width (Excluding Hopper)	1250mm
Weight (Approximately)	5,500kg

Due to company policy of continued product development design and specifications are subject to change without notice.