



BTS5 - Fast Response Screw-thread/Push-fit Immersion Sensor

This is a unique design temperature sensor with a thin-wall stainless steel tip. This offers a very fast response with a time constant of typically less than 1 second. This sensor is ideal for use in district heating systems where slower sensors limit overall system performance. Available as a push-fit mounting or with a 1/4" BSPG screw-threaded boss.

Applications

- Gas boilers
- District heating systems
- Instant water heaters
- Compressors

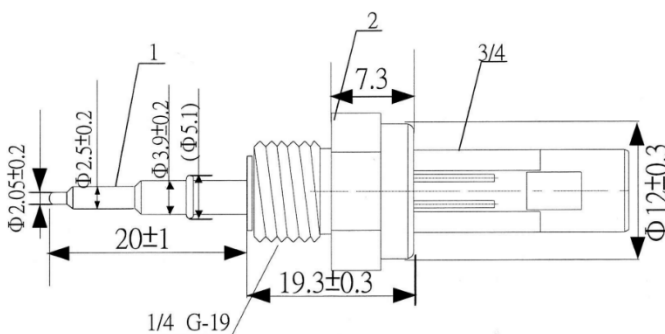
Features

- Fast response design ($T_c \leq 1s$) 25°C
- Accuracy to $\pm 0.3K$
- Interchangeability between sensors
- Excellent long-term stability
- Operating range up to +150°C possible

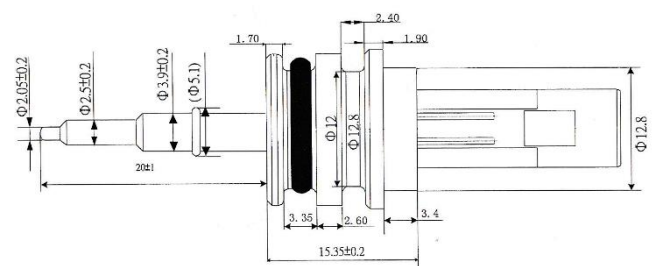


Drawings

1/4" BSPG Screw-thread



Push-fit



NTC Thermistor Series	ET, NT, SP
Temperature Range	-50°C/+150°C depending on NTC
Sensor Accuracy	R25±3% as standard, ±0.2K (0-70°C) available
Sensor Material	316 stainless steel
Connectors	Lumberg 2.5 MSF, Tyco Modu, etc

Options Special versions available, Potted leads, etc.

For further information please contact us at sales@atcsemitec.co.uk