

Asahi US-622 – 1/2" Disc Thermostat/Cut-Out

Asahi US-622 bimetal disc thermostats are high quality, compact, snap-action temperature controls that are competitively priced. The sensing mechanism is a 1/2" bimetallic disc that activates a spring-loaded set of contacts.

The US-622 is an automatic-reset device where the bimetal disc can be manipulated to create close control thermostats or wide-differential thermal cut-outs. They can also be configured to offer a single-shot, thermal fuse option for the ultimate in over-temperature safety.



Key Applications

- Office automation products
- Large and small household appliances
- Electric fixed and portable heaters
- Coffee machines and catering equipment
- Flexible industrial heaters
- Anti-condensation heaters
- Underfloor heating

Features

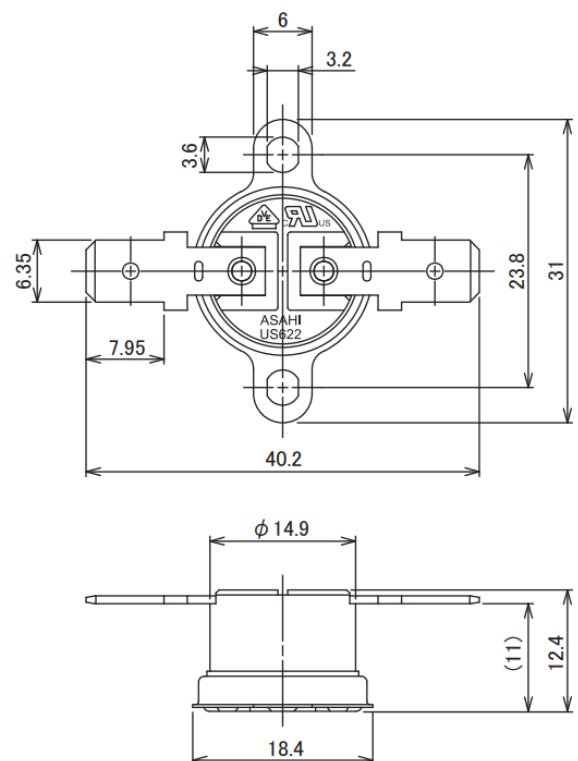
- Nominal calibrations from 10°C to 185°C
- Snap-action, auto-reset contacts
- Normally-closed/Normally-open configurations
- 100k cycles at 10A/250VAC
- Loads up to 16A/250VAC
- VDE, UL and C-UL Approvals

Housing Options

A variety of terminal types (6.3mm and 4.8mm push-on, solder tabs) as well as various flange types and other mounting options makes the US-622 a very flexible thermostat range.

The contacts can also operate to close-on-rise and thus operate as a warning device or to bring on a cooling fan. Castellated versions can help to simplify mounting in immersion heaters.

Drawing



For further information please contact us at sales@atcsemitec.co.uk