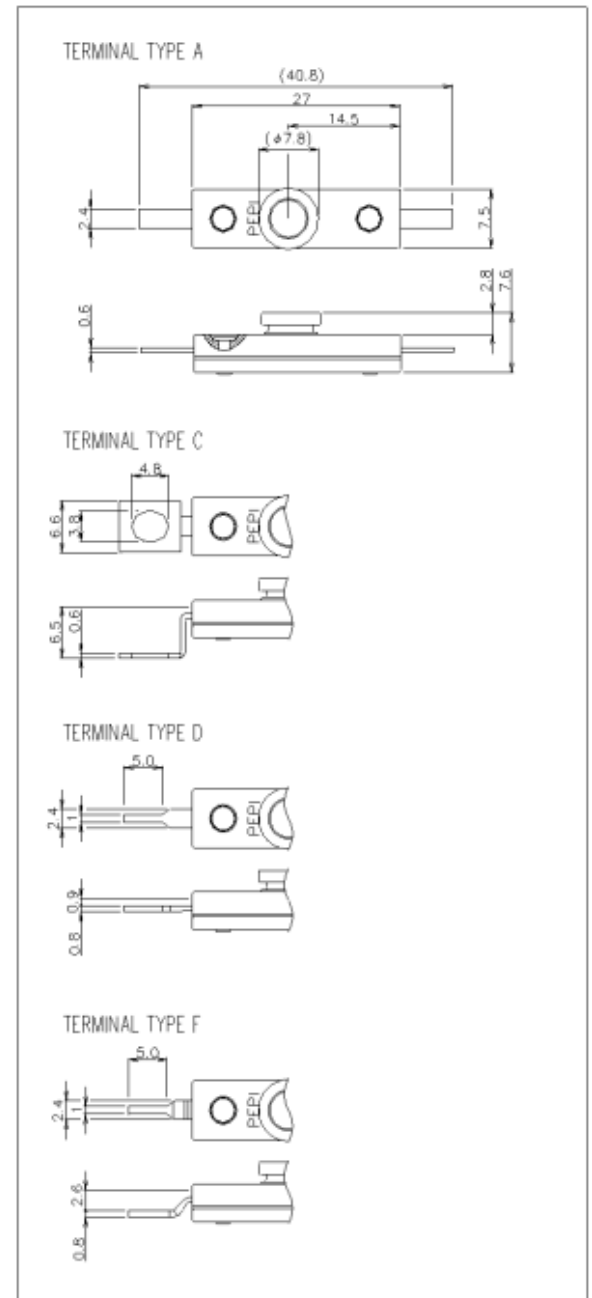


## PEPI H8 – High Temperature One-Shot Fuse

These snap-action thermal controls function as high-limit, single-use controls. They are encased in ceramic for durability and electrical isolation, ensuring that they can withstand and operate in temperatures up to 280°C. As a single-use thermostat, they offer the reliability of a 100% tested bimetallic thermal control which performs similarly to a thermal fuse.

With a reset threshold below -35°C, they ensure a reliable, non-resetting performance under normal conditions, providing maximum safety in high-temperature applications.

### Drawings:



### Calibration Temperature Range:

- Temp range 160°C-280°C

### Features:

- Ultra-fast response times
- Ceramic case allows operation up to 280°C
- Rated to 10A/250VAC
- TuV, C-UL approvals

### Applications:

- Small appliances
- 3D printers
- Office automation
- Heater protection

### Technical:

- Electrical Contact Ratings:

Model	Electrical Ratings		
H8	250Vac	15A Max	resistive load
H82	50Vdc	0.5A Max	resistive load

For further information please contact us at [sales@atcsemitec.co.uk](mailto:sales@atcsemitec.co.uk)