

Asahi US-625 - High Temperature ½" Disc thermostat

Asahi US-625 ceramic disc thermostats offer accurate temperature control at high temperatures up to 250°C or even higher. The US-625 uses a 1/2" diameter snap action bimetal disc for temperature sensing that opens or closes an electrical circuit. On cooling, the disc snaps back to its original shape and then re-makes (or re-breaks) that circuit.

The US-625's ceramic body ensures product integrity at these high temperatures compared with plastic body designs. Factory calibrated to customers' specifications, they can be used as close control thermostats in place of electronic controls - especially in low-cost domestic appliances. When engineered with a wide differential, they can also be used as over-temperature, safety cutouts or even one-shot thermal fuses (to 270°C).

With a variety of mounting flanges, the US-625 can be used to measure air or surface temperatures.



Key Applications

- Commercial and domestic cooking appliances/ovens
- Electric heating elements
- Coffee machines and catering equipment
- Flexible heating elements
- Office automation products

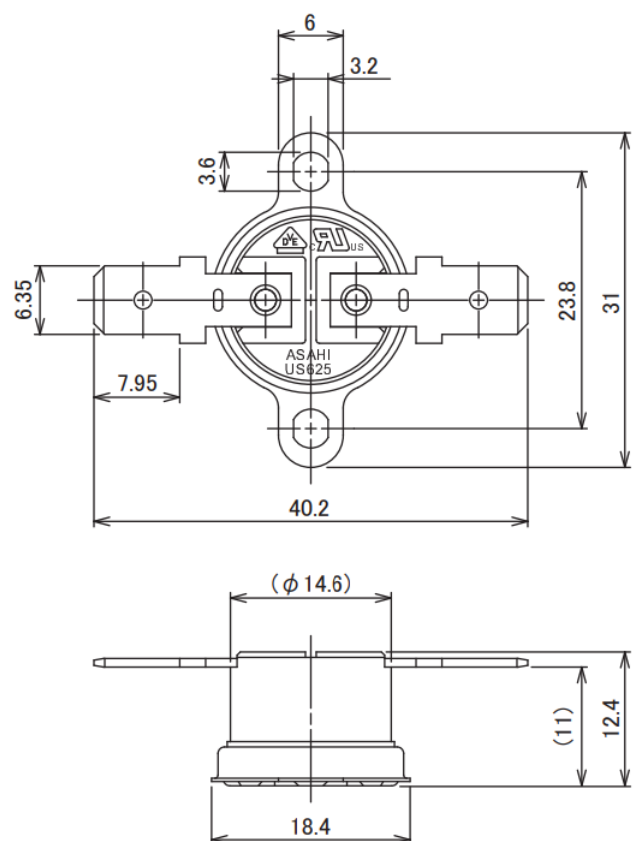
Features

- Nominal calibrations from 10°C to 250°C
- Automatic-reset contacts
- Normally-closed or Normally-open contacts
- 100k cycles at 10A/250VAC
- VDE, UL and C-UL Approvals
- Vertical or horizontal terminals

Housing Options

A variety of terminal types (6.3mm and 4.8mm push-on, solder tabs) as well as various flange types and other mounting options makes the US-625 a very flexible thermostat range.

Drawing



For further information please contact us at sales@atcsemitec.co.uk