

**HAIGH**

Hygienic Solutions



# Incomaster

Advanced Incontinence Waste Disposal Technology



[www.haigh.co.uk](http://www.haigh.co.uk)



Hygienic Solutions

# Incomaster

Advanced Incontinence Waste Disposal Technology



## Fast, efficient and safe disposal of incontinence and sanitary pads

Delivering real and measurable benefits to both you and those in your care, our highly efficient and user friendly Incomaster delivers outstanding performance for the simple and hygienic disposal of incontinence and sanitary pads.

Designed for simplicity, it is easy to install, is low in maintenance and fast - processing four small or two large pads in less than two minutes.

**The Incomaster delivers real and measurable benefits to both you and those in your care including:**

- Hygienic – greater infection control
- Low cost – no waste collection required resulting in savings on expensive clinical waste
- Easy to use – simple operation, incontinence products in, close lid, press start
- Quiet operation
- Low maintenance
- Fast and efficient cycle times – up to 4 pads in less than 2 minutes
- Converts into fine pulp allowing for standard flush through drainage
- Only requires cold water source, electricity and drainage
- Bugban® – Active antimicrobial built in, wipe clean exterior
- Water curtain cleans hopper and impeller
- Easy installation and full service back up



### Dimensions

Incomaster

Height: 950mm Depth: 600mm Width: 453mm

# Incomaster - Installation & Technical Data

## Installation planning

Maximum run to drain 2 metres with a minimum fall of 1:25.

Minimum waste pipe size 50mm (2").

Use swept bends not 90° degree bends.

## Cold water supply

Mains pressure. Ensure supply line is at no point less than 15mm.

## Electrical supply

Incomaster can be supplied as either single or three phase machine which must be connected to a 15 Amp fused spur switch (customer supply).

The electrical supply must be to current I.E.C. regulations using the supplied two metre flying lead. The appliance must be connected to a protective earth connection.

## Drainage

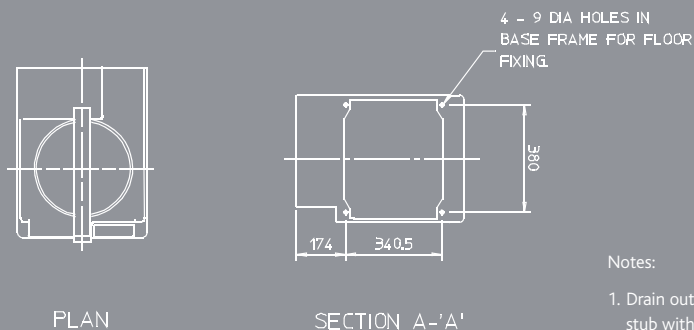
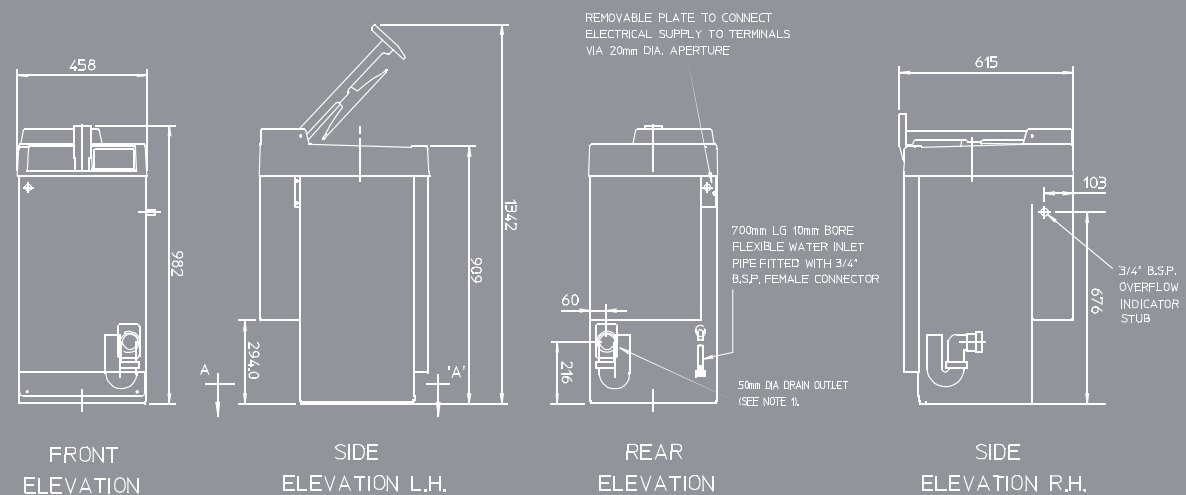
The machine is fitted with a 50mm (2") trap inside the cabinet. Ensure the route to the soil stack is as short as possible with minimum number of bends.

Please refer to the manual supplied with the machine for latest information and installation details as we continuously improve our products over time.

## Electrical Supply

Volts	Power	Isolator Fuse	Water Consumption	Cycle Time	Max Loading	Weight (Dry)
230 / 1 / 50	1300W	9A full load current 15 amp fuses required	28 ltr / cycle	1.75 minutes	Up to a maximum of 4 pads per cycle (dependant on size)	109Kg (Packed)
400 / 3 / 50	2200W	5.6A full load current 15 amp fuses required	28 ltr / cycle	1.75 minutes	Up to a maximum of 4 pads per cycle (dependant on size)	109Kg (Packed)

## Full dimensions



### Notes:

1. Drain outlet terminates at a fitting suitable for a 50mm (2") dia pipe stub with outlet height adjustable between 170mm to 250mm. P trap supplied and fitted internally.
2. Water supply in via 700mm long 10mm bore flexible water inlet pipe with 3/4" B.S.P. Female connector supplied.
3. Electrical supply in via 2m long sheathed electrical cable supplied.

All dimensions shown in mm



Hygienic Solutions

[www.haigh.co.uk](http://www.haigh.co.uk)

It is the policy of our company continually to improve our products and accordingly we reserve the right to alter specifications and appearance without notice.

E3209/1209

**The Haigh Engineering Company Limited**

Alton Road, Ross-on-Wye, Herefordshire HR9 5NG

**Tel: 01989 763131**

Fax: 01989 768777

[info@haigh.co.uk](mailto:info@haigh.co.uk)



**WRAS**  
APPROVED  
PRODUCT



*The pulp used for manufacturing this paper is from mills that are certified to ISO 14001. ECF pulp sourced from sustainable forests.*