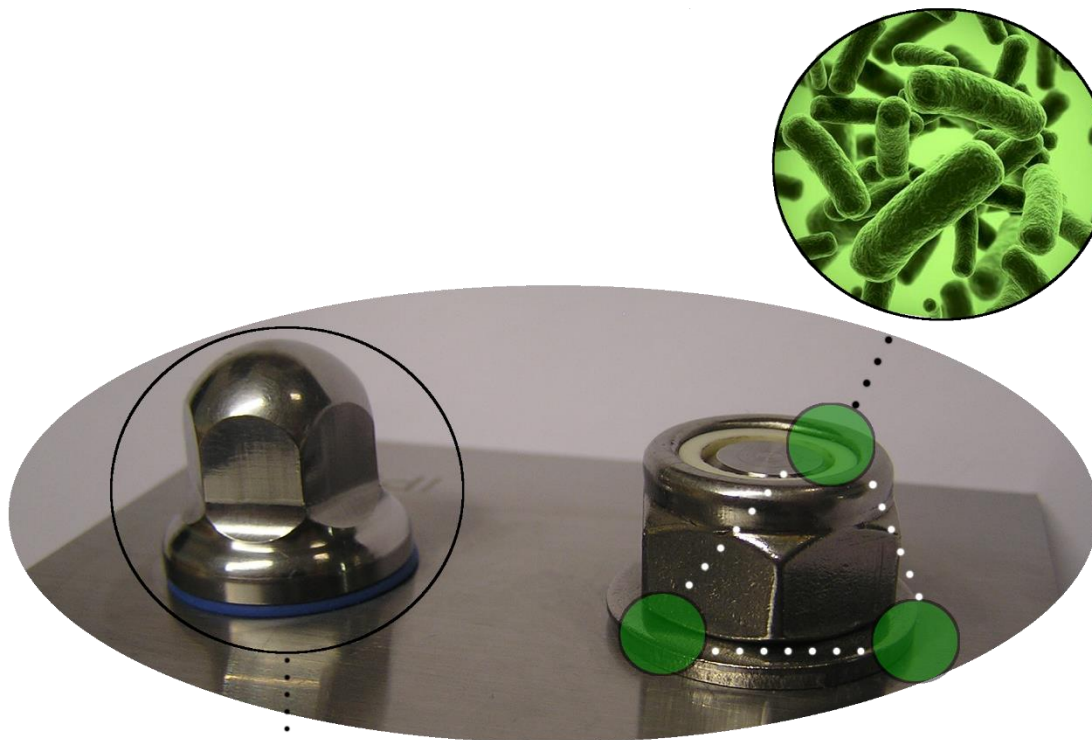


Versaline Hygienic Locking Nuts

- Bacteria problems?
- Hygiene concerns?
- Washing time too long?



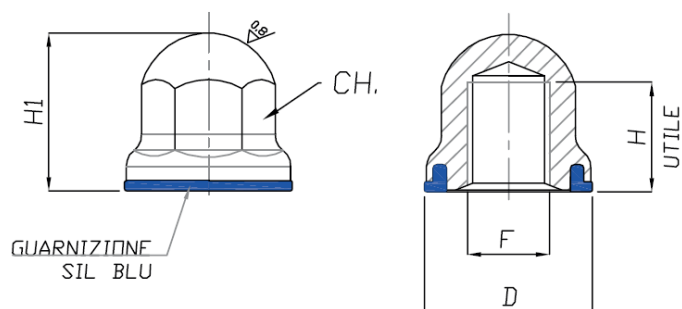
Use our NEW Versaline Hygienic Locking Nuts, 3-A approved, making your machinery safer and cleaner.



Quality materials (304 & Silicone) compression control, surface roughness and accurate radius are the key factors that allow the 3-A certification.

Versaline

HpE Process



CODICE	DESCRIZIONE	DIMENSIONI PRICIPALI				
		D	CH.	F	H	H1
DDM3I/3A	DADO INOX D15 ES.10 M3 GUARN. SIL BLU	15	ES.10	M3	8	12
DDM4I/3A	DADO INOX D15 ES.10 M4 GUARN. SIL BLU	15	ES.10	M4	8	12
DDM5I/3A	DADO INOX D19 ES.14 M5 GUARN. SIL BLU	19	ES.14	M5	12	17
DDM6I/3A	DADO INOX D19 ES.14 M6 GUARN. SIL BLU	19	ES.14	M6	12	17
DDM8I/3A	DADO INOX D25 ES.17 M8 GUARN. SIL BLU	25	ES.17	M8	15	23
DDM10I/3A	DADO INOX D25 ES.17 M10 GUARN. SIL BLU	25	ES.17	M10	15	23
DDM12I/3A	DADO INOX D25 ES.17 M12 GUARN. SIL BLU	25	ES.17	M12	15	23
DDM14I/3A	DADO INOX D31 ES.22 M14 GUARN. SIL BLU	31	ES.22	M14	20	28
DDM16I/3A	DADO INOX D31 ES.22 M16 GUARN. SIL BLU	31	ES.22	M16	20	28
DDM20I/3A	DADO INOX D36 ES.27 M20 GUARN. SIL BLU	36	ES.27	M20	25	34
DDM24I/3A	DADO INOX D43 ES.32 M24 GUARN. SIL BLU	43	ES.32	M24	30	40

Materials: Stainless Steel 304 & Silicone Alimentare blue, FDA

On request:

Fine Pitch
 UNC Thread
 Male Thread
 Black NBR Gasket
 AISI 1,4401



CALL +44 (0)113 252 6712