

# 1131 X-RAY Warning Signs Kit

## Stand alone Installation guide

The 1131X-Ray stand alone kit is simple to install using 4-core alarm cable. The 12v PSU allows for safe low voltage wiring inside the X-Ray area. Please follow the simple wiring diagram that can be downloaded from the web page.

Additional parts can be purchased for multi door rooms.

## Positioning the components

It is important to ensure that the X-Ray warning indicators are positioned so they are easily seen. They should be above head height and at the handle side of the door, if in doubt fit two indicators either side of the door.

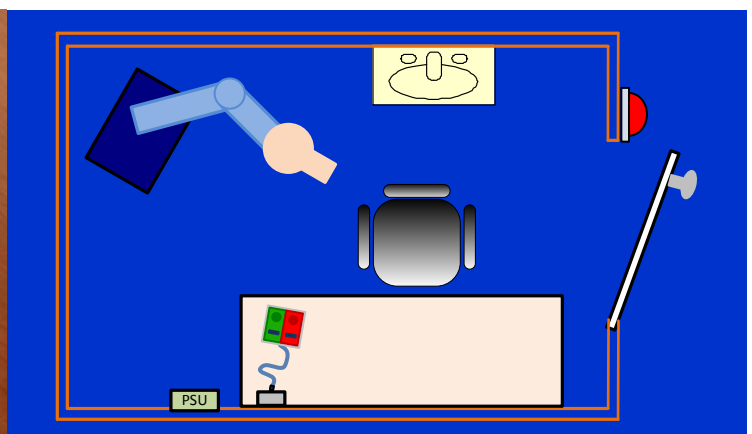
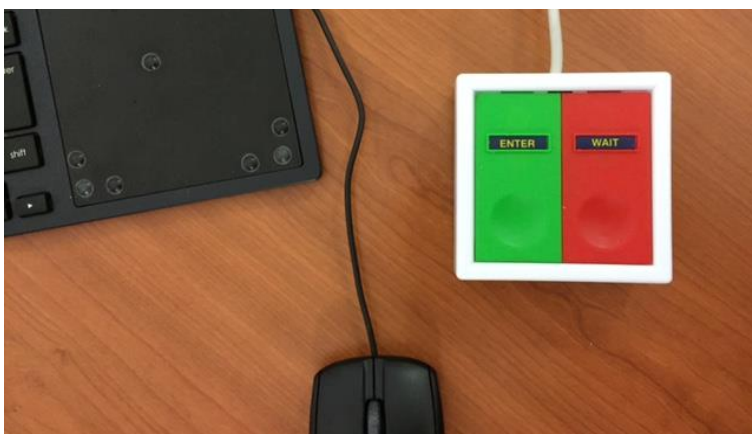
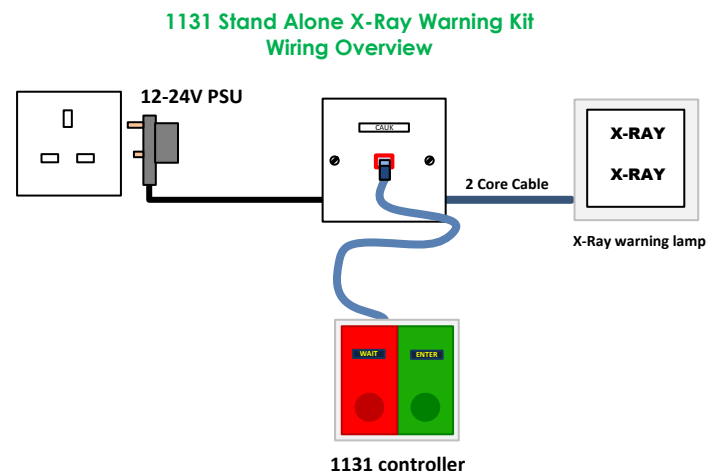
The plug-top 12Vdc transformer is plugged into the nearest 240 socket. In-line transformers are also available when using fuse spurs.



## Connection to the X-Ray machine guide

When connected directly to the X-Ray machine output relay the only equipment needed is the warning indicators and the 12Vdc transformer. If there is a 12Vdc supply available at the X-Ray machine then the transformer is not needed.

Full installation information is supplied with the kit.



# 1131 X-RAY Warning Signs Kit

## A6831 1131 X-RAY warning sign Kit

The 1131 X-RAY kit is very easy to install but please use the correct IDC tool when punching the cables into the RJ45 socket.

### 1110 Over Door Lamp

Also available in different colours

Size 86 x 86 x 75mm

### 1131 Wall controller

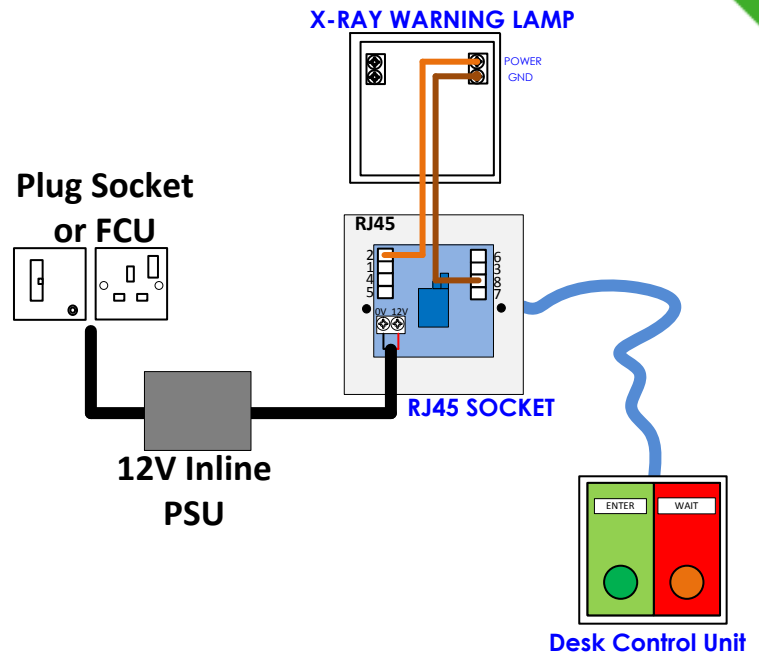
When the controller is to be wall mounted the RJ45 socket is not needed.

Size 86 x 86 x 34mm (Desk)

Size 86 x 86 x 10mm (Wall)

### 12Vdc PSU

For stand alone systems a small power supply will be needed.



## A6831 1131 X-RAY warning sign Kit



- Easy to install
- Easy to use
- 2 core Telephone cable could be used.
- All Parts fit standard UK single gang socket boxes
- The controller can be wall or desk mounted.
- Can be mounted over or at the side of doors
- For rooms with two doors multiple X-Ray lamps can be fitted
- Maintenance free