

Dorgard

Dorgard is a simple, reliable acoustic device that holds a fire door open in any position and then automatically releases the door should a fire alarm sound. When Dorgard is holding a fire door open it listens for the continuous sound of a fire alarm. It needs to hear a fire alarm that exceeds 65dB (sound level) for longer than 14 seconds to release the door.

Inexpensive to buy. Quick and easy to install. It simply screw fixes to the bottom of the door in a matter of minutes with no risk to the fire door's integrity.

The rubber plunger/stopper is in contact with the floor and, unlike conventional magnetic retainers the Dorgard can hold the door in any position. When the fire alarm is sounded, Dorgard's integral audio electronics retracts the plunger/stopper to allow the door to close.

- **Acoustically Operated**
- **Battery Powered**
- **Wire Free**
- **Installs in less than 5 minutes**
- **Fail Safe Operation**
- **Complies with relevant BS EN Standards**
- **Battery Life 12 months plus**
- **Tough ABS Case**

The Dorgard Kit includes:-, 2 x C size batteries, fitting template, user guide, floor plate, floor grip and fixing screws.

Dorgard complies with the following standards:

Complies to BS7273-4:2007 Category C

BS EN 1155:1997 - Manufacturers classification number 357113.

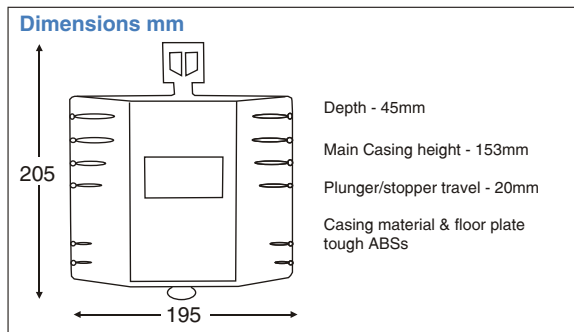
Building Hardware - Electrically powered hold-open devices for swing doors.

BS EN 50081-1:1992 - Electro magnetic compatibility. Generic emission standard. Residential, commercial and light industry.

BS EN 50082-1:1997 - Electro magnetic compatibility. Generic immunity standard. Residential, commercial and light industry.

Dorgard also complies fully with all relevant European Directives and UK Workplace Regulations (Fire Precautions) 1997.

Stainless and Brass cover available.



Hoyles Electronic Developments Ltd

T. 01744 886600

F. 01744 886607

E. sales@hoyles.com

W. www.hoyles.com

Dorgard is a device designed to safely hold open a fire door and automatically release the fire doors upon the sound of a fire alarm. It can be used to hold the fire door open in any position.

Unlike electro-magnetic retainers (EMR), Dorgard requires no wiring as it is battery operated and self-contained. Installation is easy, quick and non-disruptive. It is affixed to your fire door with four screws and takes approximately 5 minutes to install. Once you have inserted two C-size batteries (supplied), Dorgard is ready for duty.

When Dorgard is holding open a fire door it listens for a continuous fire alarm sound level of over 65 decibels. After approximately 14 seconds it will release, allowing the fire door to close under the pressure of the overhead door closure.

Operating Dorgard

To hold the door open

Open the door to the required 'hold open' position, or open fully against the bump stop of the floor plate (if fitted).

Stand sideways to the door.

Press the black knob down using your foot. Greater foot pressure may be needed depending upon force from the door closer or the type of floor surface.

Whilst depressing the black knob pull the door gently in the direction of closing.

Remove your foot and let go of the door.

To release Dorgard manually

Lightly kick the black knob toward the door.

Or push the door in the direction of opening. Dorgard can only be released by kicking the black plunger knob if a floorplate is installed.

Dorgard installs in under 5 minutes

Warning: Before drilling holes or fastening screws, check the location of water pipes, electrical points, gas pipes etc. Failure to do so could cause disruption to the building's services and may result in serious injury or even death!

Close the fire door, position template and mark holes for fixing.

Select the night time dipswitches if required and note the serial number in the Maintenance Record supplied.

Fix Dorgard to the fire door, using 4 screws supplied.

Install the batteries

Consider the floorplate installation.

Open the fire door to the desired position, stand sideways to the fire door and press down on plunger to hold the fire door open.

Ensure the Dorgard releases to the sound of your fire alarm.

Identify if Floorplate is required

Install in position using the 4 screws provided - Ensure position is correct and locate Ferrule into Floorplate recess

Fire doors weighing more than 120Kg, which have a closing force in excess of 120mm (that is a force of approx 15kg, 800mm from the hinge) must have the Floorplate installed in combination with the Dorgard unit. Dorgard can hold a fire door open safely without the Floorplate installation if the fire doors weight and closing force are less than that above.

A Floorplate is recommended when your fire door has a powerful overhead door closer and the fire door tends to creep closed or the floor is slippery/very smooth and a fitted Dorgard tends to slip closed.

Dorgard - Troubleshooting

The following are the most frequently received queries regarding Dorgard, with a checklist of solutions.

Dorgard is not releasing to the sound of the Fire Alarm

- Check fire alarm sounds for at least 30 seconds.
- Check fire door is free to close unhindered.
- Check that the plunger has a minimum of 10mm of down travel before the ferrule contacts the floor.
- Check that the fire alarm is louder than 65dB where Dorgard is situated.
- Calibrate unit if required (see Adjusting Sensitivity of Dorgard in your Fitting and Operating Guide).

Dorgard releases to no apparent sound

- As a safety feature, Dorgard has to release to any sound that it hears as being continuous and louder than 65dB as this sound could be obscuring a potential fire alarm.

- Check that Dorgard is on the side of the door that closes in to the door frame.
- Dorgard will release if the door is pushed in the direction of opening (see section on Operating Dorgard in your Fitting and Operating Guide). To prevent this happening fit the Floorplate supplied.
- Dorgard will release every 7 days as part of its self-testing routine.
- Calibrate unit if required (see Adjusting Sensitivity of Dorgard in your Fitting and Operating Guide).

Door creeps closed with plunger fully depressed

- Check that the Ferrule is not worn or damaged. Replace if necessary.
- Check that Dorgard is positioned low enough that the Ferrule makes good contact with the floor when the plunger is depressed. A vertical plunger movement of 10 - 15mm is ideal. Re-position as necessary or fit Floorplate supplied.
- Check that the overhead door closer does not shut the door with excessive force. If so, fit the Floorplate supplied or loosen pressure on overhead closer.
- Check that the Ferrule has enough purchase on the floor surface ie: floor surface is not too slippery. If so, fit the Floorplate supplied.

Dorgard does not retain the fire door in an open position

- Check that the plunger is depressed while standing side on (see Operating Dorgard in your Fitting and Operating Guide).
- Check that the battery compartment is closed and that the batteries are effective.
- Check that Dorgard is not fitted too low on the door. A vertical plunger movement of 10 - 15mm is ideal for the plunger to lock down properly.
- Check that Dorgard is mounted on the side of the door that closes into the door frame.

Dorgard - Legislation, Standards and Approvals

Purpose of The Fire Precautions (Workplace) Regulations

These fire safety regulations came into force on the 1st December 1997 in response to an EU Directive and were amended in 1999 to take into account ALL workplaces including those places where the public have, or may have, access. The fire precautions regulations are designed to provide a minimum fire safety standard in the workplace.

Do these Fire Safety Regulations apply to me?

Yes, if you employ staff. Every employer must ensure that he/she complies with the requirements of these fire safety regulations, relating to every workplace that is under his/her control.

What am I required to do?

You are required to carry out and document a Fire Risk Assessment of your workplace. You should:

- Assess the fire risks in the workplace i.e. sources of ignition, combustible materials
- Provide and Maintain to the extent that it is appropriate as determined by the Fire Risk Assessment: Means For Detecting & Giving Warning in Case of Fire, Means of Escape, Emergency Lighting, Fire Safety Signs and Fire Fighting Equipment
- Monitor and review the Fire Risk Assessment & revise as appropriate
- Inform Staff or their representatives of the risks
- Plan for an emergency
- Provide staff with information and training
- Nominate persons to assist
- Ensure the fire alarm is tested weekly

Part of this Fire Risk Assessment includes ensuring that workers can escape safely in the event of a fire. This may include protecting corridors and stairways with self-closing fire doors, which are often wedged open illegally. The Dorgard Series offers a cost-effective wire-free solution for any environment to safely and legally retain fire doors open in any position. When a fire alarm sounds, Dorgard allows fire doors to release and close automatically.

Dorgard is accepted by the Fire Brigade, please see CFOA Guidance document under Downloadable Documents.

The installed cost for Dorgard is typically less than a quarter of the price of an alternative electro-magnetic device or free swing devices.

For more information on Fire Precautions (Workplace) Regulations 1997 as amended 1999, visit www.firesafe.org.uk & www.hse.gov.uk.

Satisfies European Directives and in the UK, the FIRE Precautions (Workplace) Regulations 1997/1999.