

Info

1 Quarter turns

2 Rod controls

3 Locking systems



#### Mechanical version:

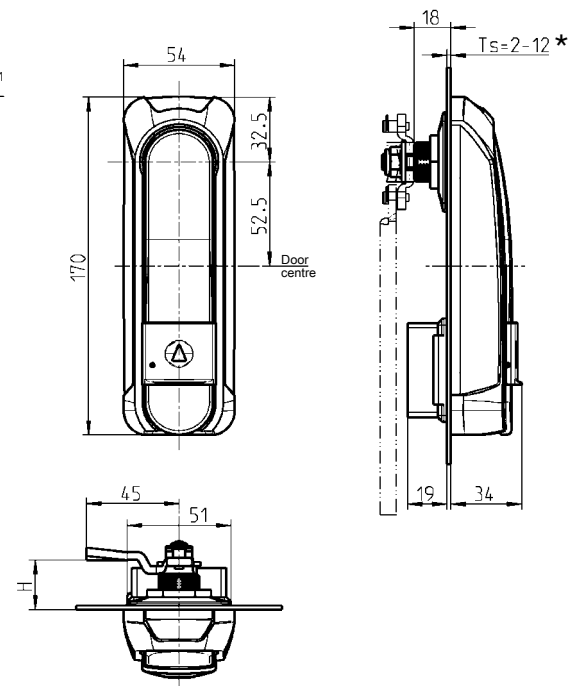
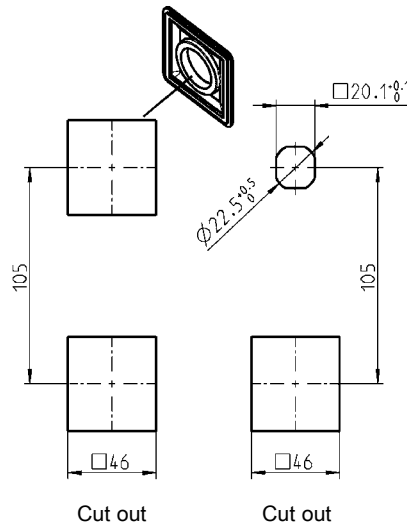
Swinghandle for profile half cylinder 40 and 45.  
Sealable.

#### Electromagnetic version (ELM):

This handle is suitable for indoor and outdoor applications from -30°C to +80°C.  
It is released by applying a 48 V DC signal. Max. release time is 1 minute. On request the handle can be equipped with a LED that will be switched when applying the DC signal. The remote monitoring of the handle status is performed through the built-in reed contact. Additionally the handle can be opened in case of emergency via a mechanical opening.



Version A      Version B



#### Attention:

When using the adapter ring the maximum door gauge (TS) will be 6 mm.

#### Note:

The use of circular standard rod is not possible with a door gauge (Ts) > 6 mm!

\* Ts > 6-12 on request

#### Further parts see page

- Cam                                3YC-120
- 3-point cam                    3YC-180
- Profile half cylinder        3XB-120

#### Swinghandle zinc die black powder coated, shaft Ms, fixing material m.s. zinc plated, with seal

for 40 mm profile half cylinder with additional position of the thumb 30° without ELM	1317-U102
for 45 mm profile half cylinder without ELM	1317-U103
for type KABA 1514 without ELM	1317-U131
ELM without LED and without profile half cylinder	1317-U151

#### Swinghandle zinc die grey powder coated (RAL 7038) and anti-graffiti coated, cap zinc die, black powder coated, shaft brass, fixing material m.s. zinc pl., with seal.

for 40 mm profile half cylinder with additional position of the thumb 30° without ELM	1317-U102-HJ
for 45 mm profile half cylinder without ELM	1317-U103-HJ
for type KABA 1514 without ELM	1317-U131-HJ
ELM without LED and without profile half cylinder	1317-U151-HJ

#### Adapter polyamide GF black required for cut out version A

1107-53-01AA