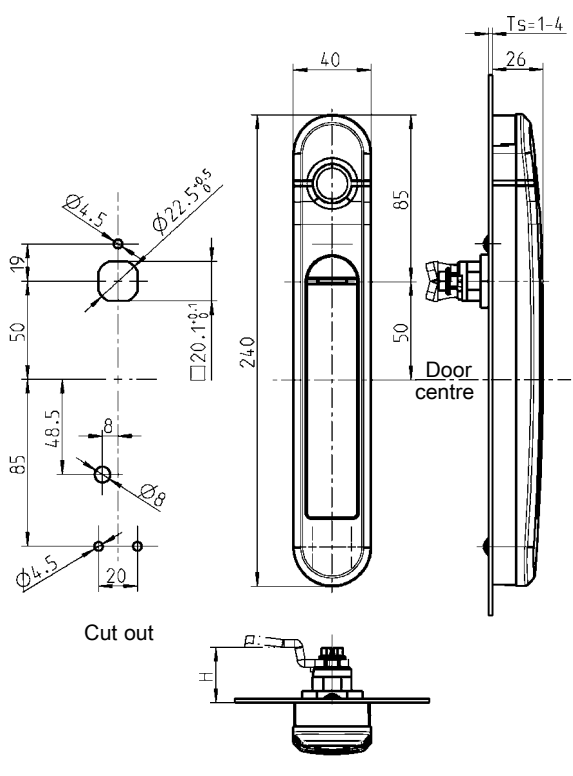
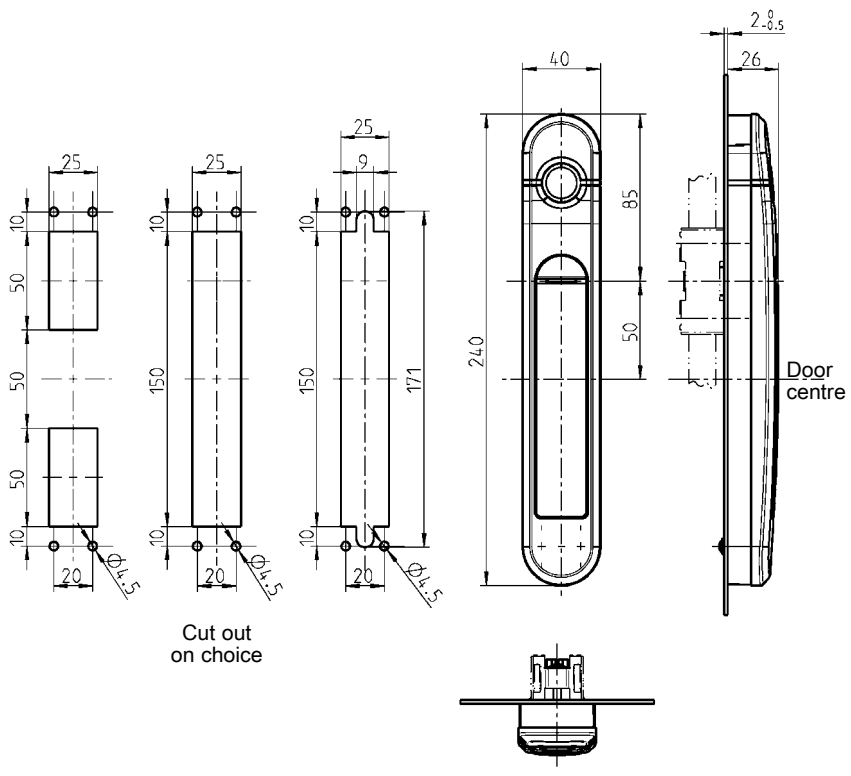


Swinghandle AGENT E with electromechanical release

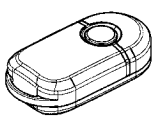
PROGRAM 3000

Swinghandle for rod control or bearing bush

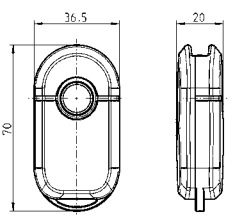
Swinghandle with quarter turn for cam



TAG (Micro transmitter)



Access-Point extension module (170 x 90 x 36)



Access-Point basic module (190 x 150 x 41)



Basic

This version is a combination of electronic swing handles type AGENT E and micro transmitters (TAGs). Only authorized User TAGs will open a handle. LEDs in the TAG are switched on by pressing the pushbutton. The light beam must be directed onto the photocell in the handle. The light of the diodes is encoded; each TAG is unique and sends out an individual code. Access rights for User TAGs can be assigned via so called Master TAGs (with red pushbutton).

Professional

An enhanced level of comfort is offered by the version "Professional". Via software and built in USB interface Master Key Plans and time profiles can be entered and internal event memory can be read out. Master TAGs can be used as "hardware dongles" here. Communication to a handle only works after releasing the USB port via Master TAG.

Superior

With the version "Superior" all activities can be managed remotely. Configuration, readout and opening of swinghandles are via radio transmission.

System overview

System Basic

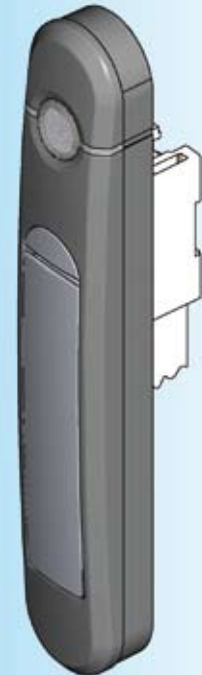
- easy authorization of TAGs (micro transmitter) directly at the handle
- max. 32 User TAGs and up to 5 Master TAGs
- emergency power supply in case of power loss via USB port
- no software needed

System Professional (additional features to the System Basic)

- configurable via USB with freeware AGENT E Management Suite:
 - create or change Master key plans and time profiles, read out event memory
- logging of the last 2,000 events: who, when, which handle
- Master TAG is used to prevent the USB port against unauthorized use

System Superior (additional features to the System Professional)

- handles can be configured, monitored and opened remotely
- interconnection to the handles is via radio transmission and special access point
- logging of the last 5,000 events: who, when, which handle



User TAG



Master TAG

Swinghandle polyamide GF black, handle and shaft zinc die white aluminium powder coated, locking latch brass and POM black, light guide transparent poly carbonate, spring, fixing material m.s. zinc plated, gear motor, electronics, 2 batteries, instruction

Version for countries of European Community, Norway and Switzerland	for rod control or bearing bush	with quarter turn for cams
System Basic	3000-U92	3000-U93
System Professional	3000-U92-01	3000-U93-01
System Superior	3000-U92-02	3000-U93-02

TAG (Micro transmitter) polyamide black, screw m.s. zinc plated, electronics, battery

User TAG with black pushbutton	3000-U90
Master TAG with red pushbutton	3000-U91

Adapter-set for bearing bush, adapter plate polyamid black, adapter steel precision zinc plated, fixing material m.s. zinc plated

for Ts 1.0 - 3.0	3000-U104-01
------------------	--------------

USB adapter cable

USB standard-A to USB micro-B	3000-U102
-------------------------------	-----------

Access-Point, version for all EU countries incl. Switzerland and Norway

Access-Point basic module	3000-U99-01
Access-Point extension module	3000-U98-01

Note:

The system Superior may not be used in other countries than of European Union, Switzerland and Norway.

Further parts see page

- Rod control	3YA-120
	3YA-140
- Bearing bush	3YB-120
- Cam (GH=18)	1C-120
	1C-140
	1C-160