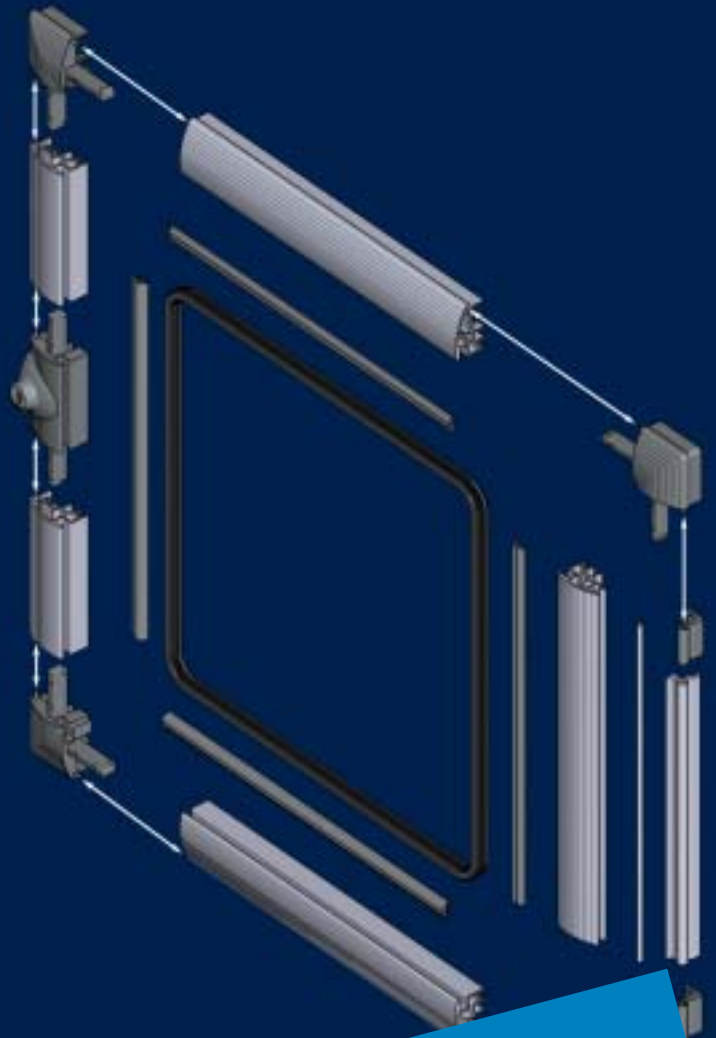
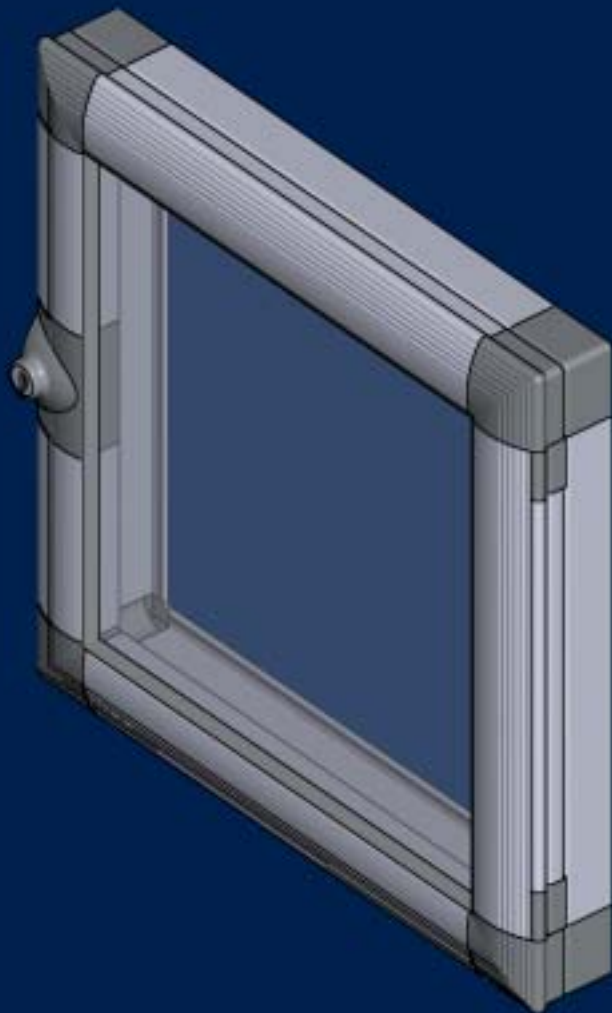


# EMKA PROflex

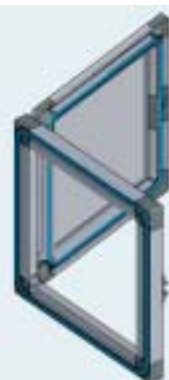
## Aluminium window system



Completely  
assembled or as a kit  
for self assembly!

# EMKA PROflex: flexible solution!

# „Profiled” advantages



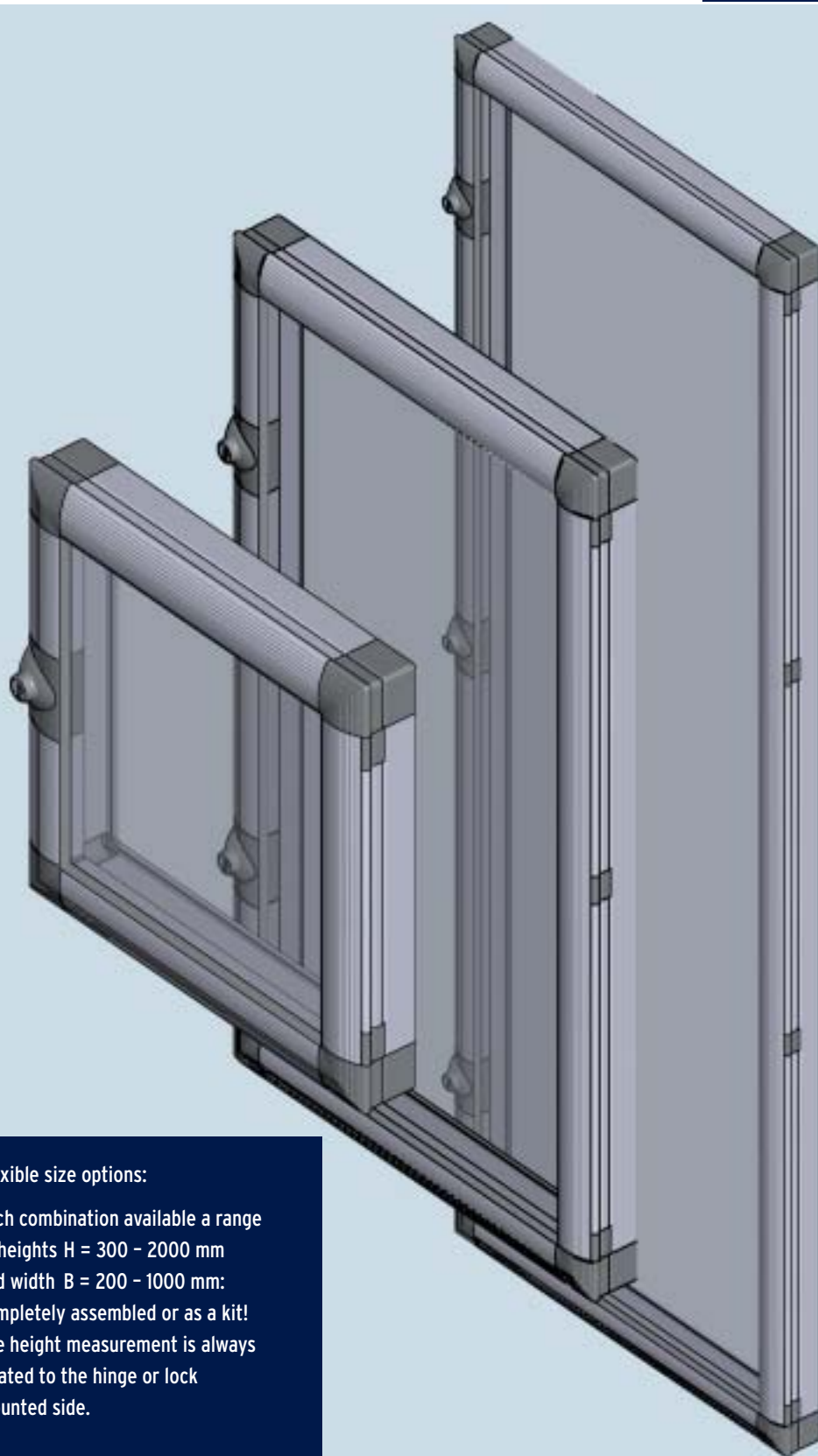
IP 54 on request



Different types of inserts to choose from

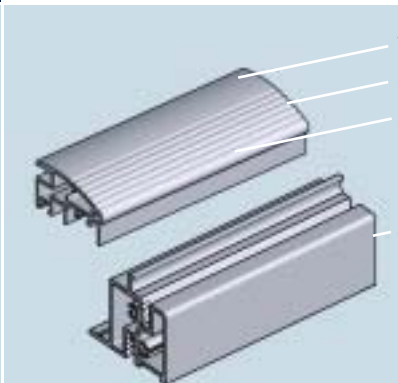


Window also available without the frame



### Flexible size options:

Each combination available a range of heights H = 300 - 2000 mm and width B = 200 - 1000 mm: completely assembled or as a kit! The height measurement is always related to the hinge or lock mounted side.

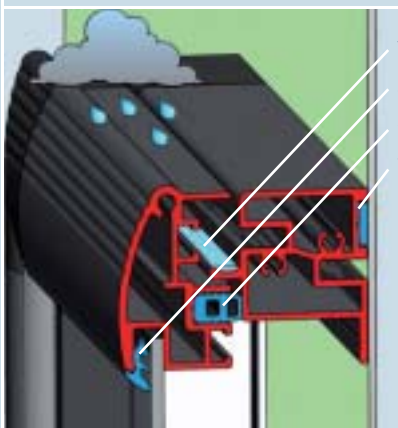


### Entity of design & function

- 1 appealing design
- 2 aluminium profile with high rigidity
- 3 no protruding parts at integrated grip
- 4 special cross-section

### Advantages

- customised measurements
- varied applications possible
- completely assembled or as a kit
- also available with security glass
- rear panel can easily be fitted



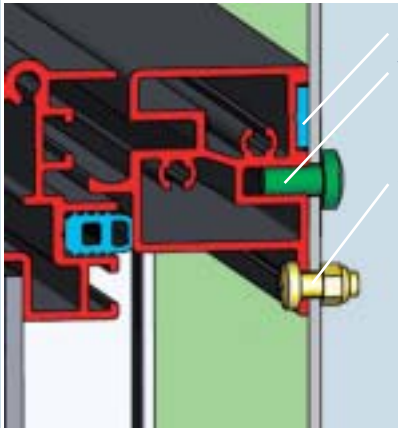
### Profile with integrated „water channels”

Highly compacted special design of profiles:

- 1 integrated „water channels” to deflect inflow
- 2 self-clamping rubber profile with easy hand push-fit
- 3 window section with slot for seal
- 4 frame profile with slot for gaskets

### Advantages

- high density: protection class IP 54 possible on request
- high rigidity through higher section modulus: optimal cooperation by advantageous cross-section and shape forming
- precise forming by circular profile channel
- quick and easy: only one cut edge for gasket fitting



### Masked fastening

- 1 profile slot designed as a thread slot (for M5, 10mm deep)
- 2 Fixed gasket for frame with high rigidity

### Alternative fastening from front side

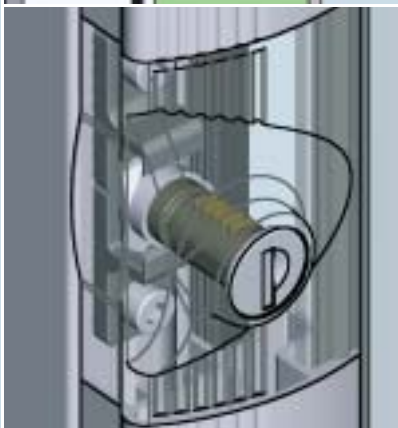
- 3 frame can also be fixed from front size on circular fastening angle

### Advantages

- easy fitting possible from rear side: no horizontal or vertical drilling into frame necessary
- invisible joints

### Advantages

- quick and easy fastening
- handy alternative, if fixing position is not accessible from rear side



### Alternative locking options

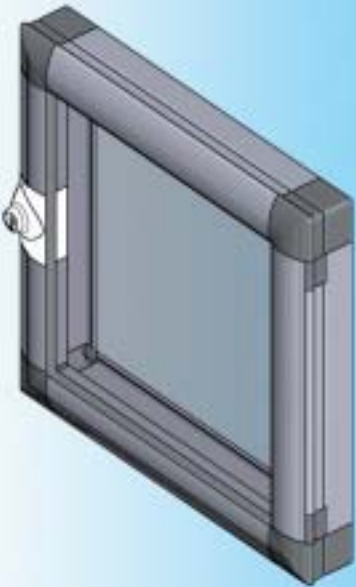
- round cylinder
- 9 different inserts
- wing knob insert
- customized locking version on request

The locks are made for right hand fastening. Convenient: conversion to LH-version simple!

### List of contents

PROflex Solutions and advantages	2 - 3
Aluminium window with frame	4
Locking options	5
Assembling kits	6 - 7
Window without frame	8
Mounting specification	9
Ordering instructions	10 - 11

Available as kit or completely mounted!



Opening angle 180°  
IP 54 on request

**Attention:**  
Please specify locking separately!  
( See page 7C-220 )

**Note:**

Thread M5 on rear side for mounting. Alternative mounting from front side. (see page 7C-420)

Polycarbonate glass (outdoor application) or safety glass on request

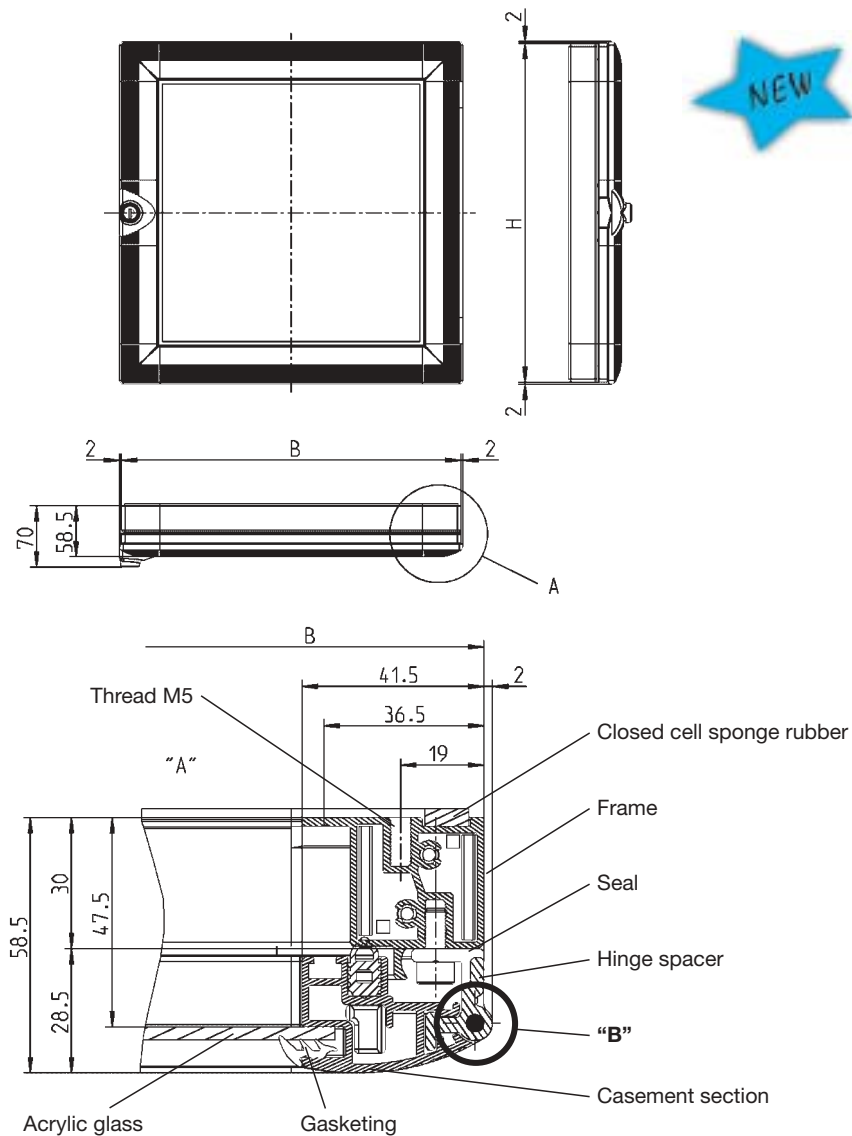
Dimensions outside of window  
Height from 300 to 2000 mm  
Width from 200 to 1000 mm  
**Height = Side of hinge and locking respectively**

Rear panel 3.5 to 4 mm are possible!  
Easy push-in assembling.  
Rear panel size  
H minus 62 mm and  
W minus 62 mm

Further parts see page  
– Locking 7C-220

Mounting measurements  
see page 7C-420

Further order instructions  
see page 7C-520



**Order example:**

The request is for a window frame mounted with the measurement H = 750 mm and B = 520 mm.  
**Attention: Please consider 2 mm projecting length for each side (compare "B")!**

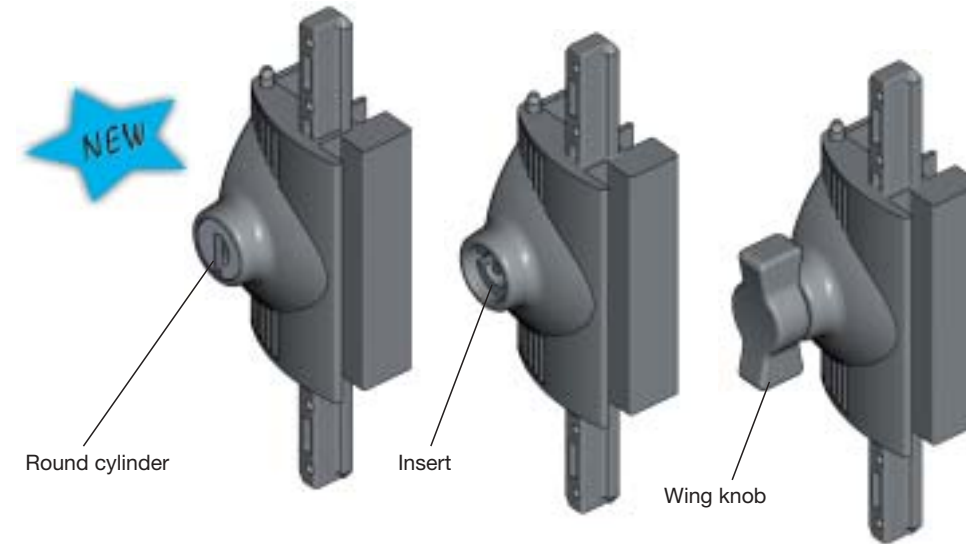
**Please order:**

**Version 1:**  
Aluminium window completely assembled 1210-U (height) - (width) = 1210-U 750-520

**Version 2:**  
Aluminium window kit for self assembly 1210-X (height) - (width) = 1210-X 750-520

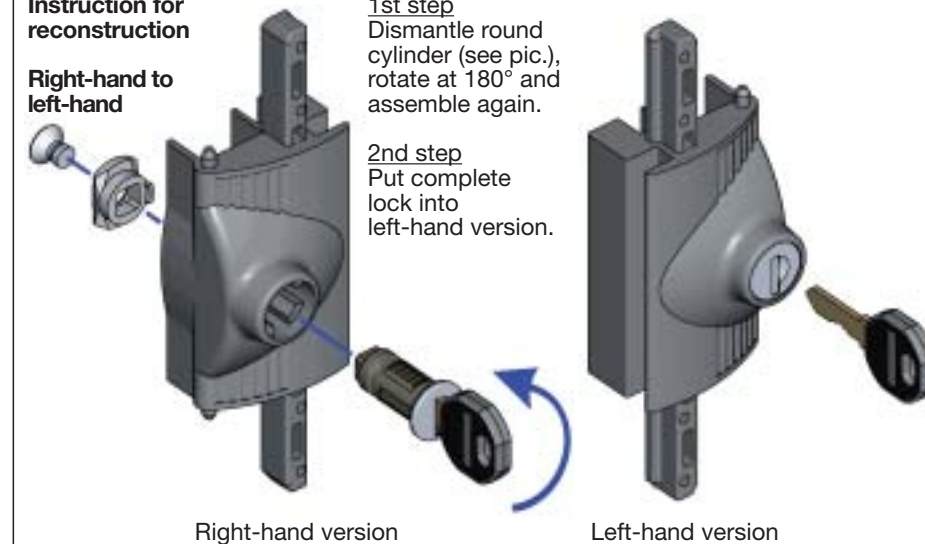
Aluminium window anodized aluminium, corners and hinges zinc die black powder coated, caps polyamide black, axle stainless steel, screws m. s. zinc plated, acrylic glass 3 mm, incl. gasketing and locking (please specify lock separately)

Aluminium window completely assembled, incl. acrylic glass	1210-U ..... - .....
	(see order example)
Aluminium window kit for self assembly, without acrylic glass, confectioned including assembling instructions (Measurement of 3 mm acrylic glass: H minus 65 mm and W minus 65 mm)	1210-X ..... - .....
	(see order example)



**Instruction for reconstruction**

**Right-hand to left-hand**



**1st step**  
Dismantle round cylinder (see pic.), rotate at 180° and assemble again.

**2nd step**  
Put complete lock into left-hand version.

**Order instruction:**

Please only order one kind of lock:  
the number of locks ( 1-3 ) depends on the size of the window!

Lock of aluminium window polyamide black, round cylinder with stainless steel cap and dust cap and dust cover or insert zinc die black powder coated, cam zind die, catch zinc die black, screws m. s. zinc plated, each round cylinder one key silver steel with grip polyamide black

Keyed EK 333	1215-U1
Keyed different	1215-U1-V
<b>Inserts</b>	
Square 6	1215-U2-U322
Square 7	1215-U2-U323
Square 8	1215-U2-U324
Triangular 7	1215-U2-U325
Triangular 8	1215-U2-U326
Double bit 3	1215-U2-U327
Double bit 5	1215-U2-U328
Slot 2 x 4	1215-U2-U329
Slot 2 x 4 coinproof	1215-U2-U739
Wing knob	1215-U2-U78



Locks are designed for a right-hand aluminium window!

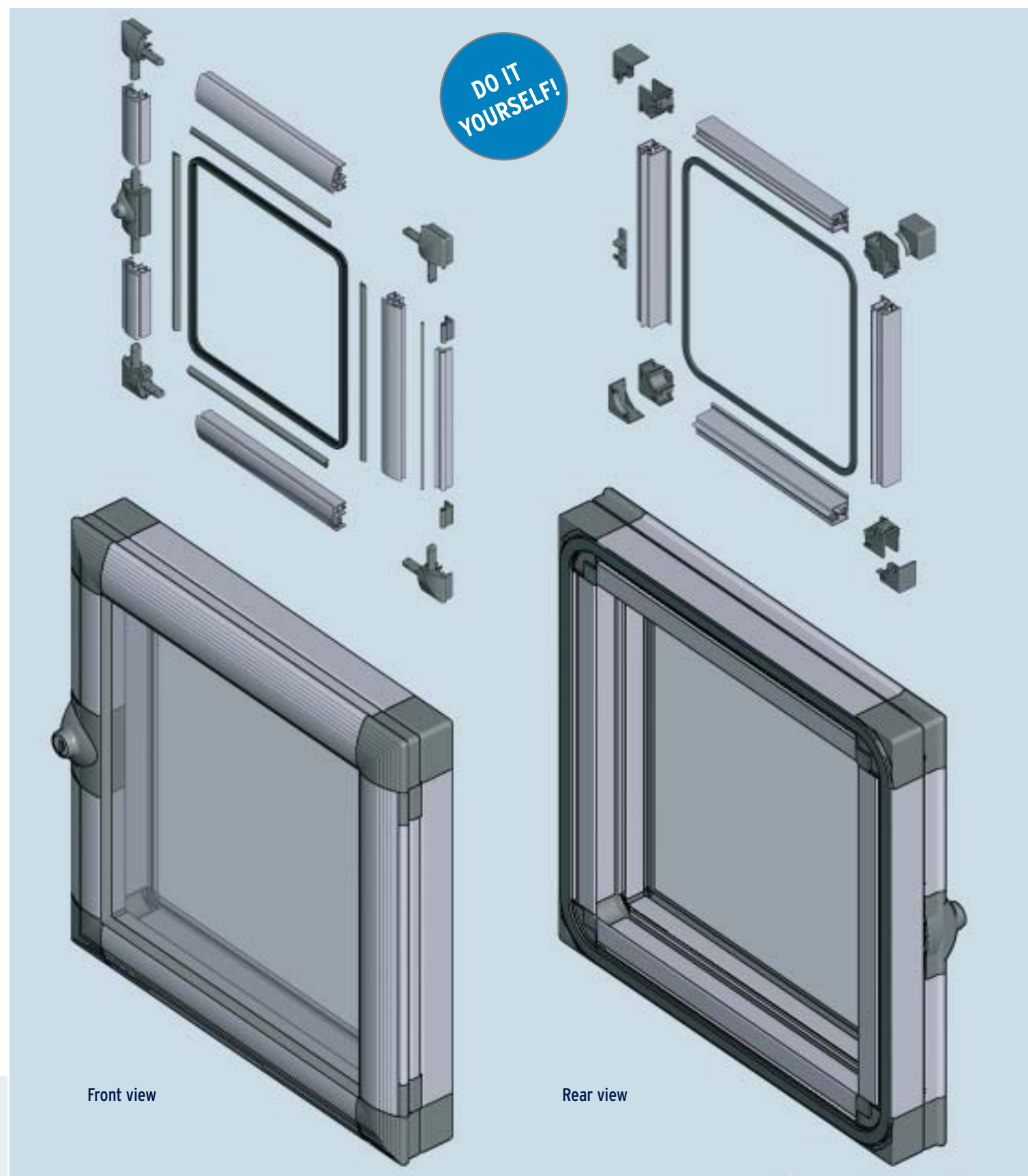
See instruction for reconstruction left-hand version with round cylinder!

**Note:**  
Please order aluminium window separately!

Further parts see page  
– Aluminium window 7C-120  
– Aluminium window without frame 7C-320

Further order instructions  
see page 7C-520

# EMKA PROflex: self-installation kit



### Aluminium window: window with a frame

Complete kit for frame and window (left fig.):

- frame profile, properly cutted to length
- window profiles, properly cutted to length
- corner cleatting set (4 pieces)
- dust caps (4 pieces, self-catching)
- hinges (quantity see table on page 10)
- locks (quantity see table on page 10)
- gasketing
- mounting screws
- assembly instructions

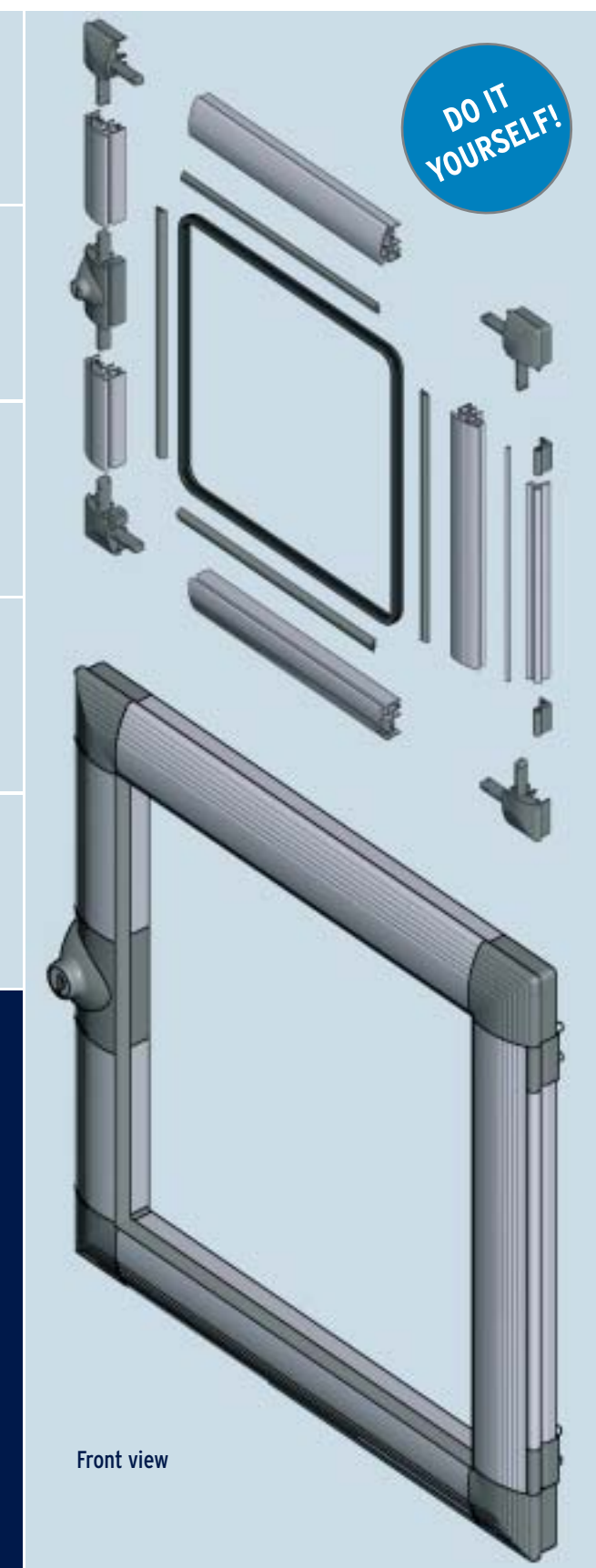
There is no drilling necessary for mounting.  
A kit does NOT include the glazing.  
Please note the order instructions!

### Window without a frame

Complete window kit (right fig.):

- window profile, properly cutted to length
- corner cleatting set (4 pieces)
- dust caps (4 pieces, self-catching)
- hinges (quantity see table on page 10)
- locks (quantity see table on page 10)
- gasketings
- mounting screws
- assembly instructions

There is no drilling necessary for mounting.  
A kit does NOT include the glazing.  
Please note the order instructions!





# Number of locks and hinges

The chosen dimensions determine the number of locks and hinges.

To find out the correct number, please round the dimensions up to the nearest hundred mm.

The used quantities can be found in the table.

Please use the same system for the price list.

E. g. aluminium window completely assembled:

Part No. 1210-U 1080-550 → tabular value 1100-600 → 2 locks and 3 hinges

Part No. 1215-U2-U324 for insert square 8

E. g. aluminium window kit:

Part No. 1210-X 1080-550 → tabular value 1100-600 → 2 locks and 3 hinges

Part No. 1215-U1 keyed EK333



Overview: table for number of locks and hinges

width \ height	300	400	500	600	700	800	900	1000
→ 400	1/2	1/2	1/2	1/2	1/2	a.A.	a.A.	a.A.
→ 500	1/2	1/2	1/2	1/2	1/2	a.A.	a.A.	a.A.
→ 600	1/2	1/2	1/2	1/2	1/2	1/2	a.A.	a.A.
→ 700	1/2	1/2	1/2	1/2	1/2	1/2	a.A.	a.A.
→ 800	1/2	1/2	1/2	1/2	1/2	1/2	a.A.	a.A.
→ 900	2/3	2/3	2/3	2/3	2/3	2/3	2/3	a.A.
→ 1000	2/3	2/3	2/3	2/3	2/3	2/3	2/3	2/3
→ 1100	2/3	2/3	2/3	2/3	2/3	2/3	2/3	2/3
→ 1200	2/3	2/3	2/3	2/3	2/3	2/3	2/3	2/3
→ 1300	2/3	2/3	2/3	2/3	2/3	2/3	2/3	2/3
→ 1400	2/3	2/3	2/3	2/3	2/3	2/3	2/3	2/3
→ 1500	3/4	3/4	3/4	3/4	3/4	3/4	3/4	3/4
→ 1600	3/4	3/4	3/4	3/4	3/4	3/3	3/4	3/4
→ 1700	3/4	3/4	3/4	3/4	3/4	3/4	3/4	3/4
→ 1800	3/4	3/4	3/4	3/4	3/4	3/4	3/4	3/4
→ 1900	3/4	3/4	3/4	3/4	3/4	3/4	3/4	3/4
→ 2000	3/4	3/4	3/4	3/4	3/4	3/4	3/4	3/4

Number of locks

Number of hinges

# Order instructions

Step 1  
Type?



Aluminium window with frame and window:  
Part No. starts with 1210-



Window:  
Part No. starts with 1220-

Step 2  
Completely assembled or a kit?



U = completely assembled

Both types can be ordered completely assembled or as a kit.  
The letter in the part No. identify the desired delivery condition.



X = kit

DO IT YOURSELF!

Step 3  
Dimensions

The desired dimensions make the part No. complete:  
Height dimension in mm - width dimension in mm  
The height measurement is always related to the hinge or lock mounted sides.

Examples



1210-U height-width  
1210-U 750-520  
Page 7C-120



1210-X height-width  
1210-X 750-520  
Page 7C-120

DO IT YOURSELF!



1220-U height-width  
1220-U 750-520  
Page 7C-320



1220-X height-width  
1220-X 750-520  
Page 7C-320

DO IT YOURSELF!

Step 4  
Selection of the insert



keyed  
EK 333



inserts

wing knob insert  
Overview on page 7C-220

Fastening advice

Fastening advice for aluminium windows with frame see page 7C-420 (top)

Fastening advice for window only see page 7C-420 (bottom)

Order instructions

Attention:

Kit will be delivered without glazing!

DO IT YOURSELF!

Attention:

Kit will be delivered without glazing!

DO IT YOURSELF!

# EMKA Subsidiaries



EMKA Beschlagteile Ges.m.b.H.  
Intercity Park 4  
A - 2421 Kittsee • Austria  
Tel.: +43-2143-43063  
Fax: +43-2143-43064  
info@EMKA-beschlagteile.at • www.EMKA-beschlagteile.at



EMKA France SA  
Route des Roches - B.P. 12  
41400 Bourré • France  
Tel.: +33/254/320862  
Fax: +33/254/324598  
EMKA@EMKA-france.com • www.EMKA-france.com



EMKA-Polska Sp. z o.o.  
ul. Siemonska 11  
42-503 Bedzin • Poland  
Tel.: +48/32/3606026  
Fax: +48/32/2633739  
info@EMKA.net • www.EMKA.net



Belgium • EMKA Benelux B.V.  
Marconiweg 2  
5466 AS Veghel • Netherlands  
Tel.: +31/413/323510  
Fax: +31/413/354425  
info@EMKA.org • www.EMKA.org



EMKA Hellas  
47-49 Hatzikiakou Ave  
185-38 Piraeus • Greece  
Tel.: +30/21041/83000  
Fax: +30/21041/83183  
info@EMKA-hellas.com • www.EMKA-hellas.com



EMKA Ferragens Portuguesa Lda.  
Rua Francisco Romero, 65  
Amoreira  
2645- 197 Alcabideche • Portugal  
Tel.: +351/214663355  
Fax: +351/214670475  
mail@EMKA.pt • www.EMKA.pt



EMKA Bosnia d.o.o. Goražde  
Ibrahima Popovica 32  
73000 Goražde • Bosnia-Herzegovina  
Tel.: +387/38/241310  
Fax: +387/38/221474  
info@EMKA.ba • www.EMKA.ba



EMKA Beschlagteile  
Kereskedelmi Képviselet / Kresz Géza u. 51.  
H-1132 Budapest • Hungary  
Tel.: +36/1/2360032  
Fax: +36/1/4510327  
info@EMKA.hu • www.EMKA.hu



S. C. EMKA Beschlagteile S. R. L.  
Alba Iulila 110  
550052 Sibiu • Romania  
Tel.: +40/269/222700  
Fax: +40/369/303700  
info@EMKA.ro • www.EMKA.ro



EMKA Industrial Hardware Co.Ltd.  
No.15 Fuyuan Road  
Wuqing Development Area  
Tianjin, 301700 • China  
Tel.: +86/22/82123759  
Fax: +86/22/82127759  
info@EMKA.cn • www.EMKA.cn



EMKA India Panel Accessories P Ltd.  
No47 J.C. Industrial Estate / 8th Main, Kanakapura Road  
Bangalore-560 062 • India  
Tel.: +91/80/26660212  
Fax: +91/80/26662706  
s.venkat@EMKA.in • www.EMKA.in



Serbia • EMKA Okovi d.o.o.  
Branimirova 64  
HR-35000 Slavonski Brod • Croatia  
Tel.: +385/35/270073  
Fax: +385/35/410900  
p.teglovic@emka-okovi.hr • www.emka-okovi.hr



EMKA Okovi d.o.o.  
Branimirova 64  
HR-35000 Slavonski Brod • Croatia  
Tel.: +385/35/270073  
Fax: +385/35/410900  
p.teglovic@emka-okovi.hr • www.emka-okovi.hr



EMKA Italia S.r.l. Unipersonale  
Via Isidora, 10  
37017 Lazise (Verona) • Italy  
Tel.: +39/045/6471070  
Fax: +39/045/6471126  
info@EMKA.it • www.EMKA.it



EMKA Kovánie  
Máchova 47  
82106 Bratislava • Slovakia  
Tel.: +421/2/45259910  
Fax: +421/2/45259910  
miro.EMKA@ba.telecom.sk



CR • EMKA Kovánie/Beschlagteile für CR a  
Máchova 47  
82106 Bratislava • Slovakia  
Tel.: +421/2/45259910  
Fax: +421/2/45259910  
miro.EMKA@ba.telecom.sk



Montenegro • EMKA Bosnia d.o.o. Goražde  
Ibrahima Popovica 32  
73000 Goražde • Bosnia-Herzegovina  
Tel.: +387/38/241310  
Fax: +387/38/221474  
info@EMKA.ba • www.EMKA.ba



EMKA España S.A.  
C/Físicas, 37  
Polígono Industrial Urtinsa II  
28925 Madrid Alcorcón • Spain  
Tel.: +34/91/6432087  
Fax: +34/91/6434207  
mail@EMKA.es • www.EMKA.es




EMKA Benelux B.V.  
Marconiweg 2  
5466 AS Veghel • Netherlands  
Tel.: +31/413/323510  
Fax: +31/413/354425  
info@EMKA.org • www.EMKA.org



# EMKA Agencies

 Emil Krachten Scandinavia AB  
Industrigatan 10  
55302 Jönköping • Sweden  
Tel.: +46/36/314130  
Fax: +46/36/314131  
info@EMKA.se • www.EMKA.se

 EMKA Beschlagteile AG  
Kammistr. 5  
3800 Interlaken • Switzerland  
Tel.: +41/33/8260220  
Fax: +41/33/8260229  
info@EMKA.ch • www.EMKA.ch

 EMKA Kilit Sistemleri Metal San. ve Tic. Ltd. Sti.  
Büyükbakkalköy Mahallesi Samandira Caddesi No:6/A  
34858 Maltepe - Istanbul • Turkey  
Tel.: +90/216/5617801  
Fax: +90/216/5617803  
info@emkakilid.com.tr • www.emkakilid.com.tr


 EMKA Middle East LLC  
Member of the EMKA Group  
P.O. Box 36293  
Dubai - United Arab Emirates  
Tel.: +971/42844528  
Fax: +971/42844572  
info@EMKA.ae • www.EMKA.ae


 EMKA (UK) Ltd.  
Patricia House  
Bodmin Road  
Coventry CV2 5DG • United Kingdom  
Tel.: +44/2476/616505  
Fax: +44/2476/612837  
enquiry@EMKA.co.uk • www.EMKA.co.uk

 EMKA Inc.  
1961 Fulling Mill Road  
Middletown PA 17057 • USA  
Tel.: +1/717/9861111  
Fax: +1/717/9861080  
EMKA@emkausa.com  
www.emkausa.com


 Lock Focus Pty. Ltd.  
Victoria 3173 • Australia  
Tel.: +61/3/97981322  
locks@lockfocus.com.au

 UES (INT'L) PTY. LTD.  
Bella Vista NSW 2153 • Australia  
Tel.: +61/2/88871200  
export@uesint.com

 Normont Industrial Hardware, Canada Ltd.  
Laval (Québec) H7P 6A9 • Canada  
Tel.: +1/450/6812884  
EMKA@normont.com

 Comercializadora Becor S.A.  
Bogota • Colombia  
Tel.: +57/1/2350234  
gerencia@becor.com

 A/S Megatrade Beslag  
2650 Hvidovre • Denmark  
Tel.: +45/44916700  
mega@megatrade.dk


 Colly Components AB - Estonia  
164 94 Kista • Sweden  
Tel.: +46/8/7030100  
customerccp@colly.se

 Oy Colly Company Ab  
00391 Helsinki • Finland  
Tel.: +358/29/006150  
sales@colly.fi

 Teder Electro Mechanical  
49277 Petach-Tikva • Israel  
Tel.: +972/73/2331200  
sales@teder.com

 TOCHIGIYA Co., LTD  
101-0047 Saitama • Japan  
Tel.: +81/48/2283072  
support@tochigiya.co.jp


 Colly Components AB - Latvia  
164 94 Kista • Sweden  
Tel.: +46/8/7030100  
customerccp@colly.se


 Colly Components AB - Lithuania  
164 94 Kista • Sweden  
Tel.: +46/8/7030100  
customerccp@colly.se

 Colly AS  
1314 Vøyenenga • Norway  
Tel.: +40/21/2329502  
dragos.butoi@dcb.ro

 OOO"MK-Electro  
196128 St.-Petersburg • Russia  
Tel.: +7/81/24492928  
info@mk-electro.ru

 VF Fastening Systems PTE Ltd.  
757695 Singapore • Singapore  
Tel.: +65/675/2333  
vincent@vffastening.com.sg

 Enclosure Solutions  
Benoni • South Africa  
Tel.: +27/11/4212675  
info@enclosuresolutions.co.za

 Geo Jeon Co. Ltd.  
429-450 Kyoung Gi Do • South Korea  
Tel.: +82/314/335508  
koreaemka@naver.com

 Colly Components AB  
164 94 Kista • Sweden  
Tel.: +46/8/7030100  
customerccp@colly.se

 Best Port Company Ltd.  
429-450 Kyoung Gi Do • Thailand  
Tel.: +66/2/993/5739  
bestport@samartas.com

 Terramar Engineering and Machinery (Pte.) Ltd.  
Tan Binh District, Ho Chi Minh City • Vietnam  
Tel.: +84/8/9974089  
cam@terramar.com

