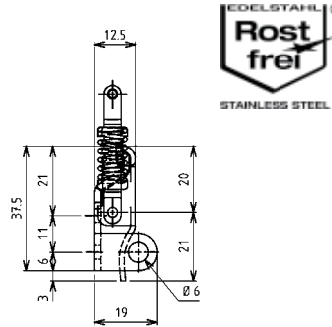
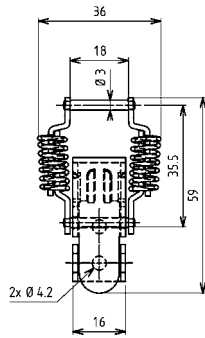
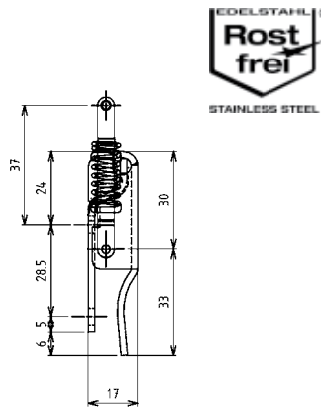
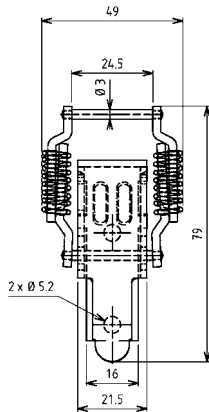


Spring loaded toggle latches

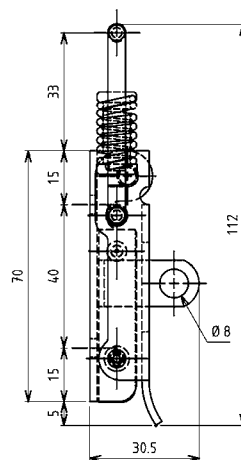
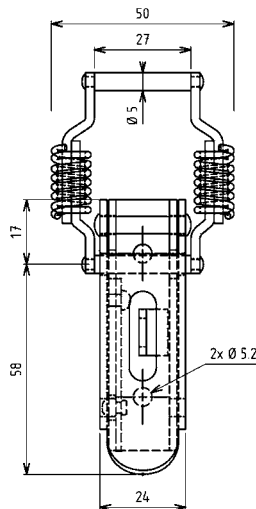
PROGRAM 6000



Toggle latch	Without padlock-facility	With padlock-facility
Raw steel drilled	6004-U22-KA	6004-U23-KA
Zinc plated steel DS plus Top Coat drilled	6004-U22-JQ	6004-U23-JQ
AISI 304 drilled	6004-U22-PC	6004-U23-PC



Toggle latch	Without padlock-facility	With padlock-facility
Raw steel drilled	6004-U24-KA	6004-U25-KA
Zinc plated steel DS plus Top Coat drilled	6004-U24-JQ	6004-U25-JQ
AISI 304 drilled	6004-U24-PC	6004-U25-PC



Toggle latch with high opening resistance	Without padlock-facility	With padlock-facility
Raw steel drilled	6004-U26-KA	6004-U37-KA
Zinc plated steel DS plus Top Coat drilled	6004-U26-JQ	6004-U37-JQ

Beschlagteile

INOX
AISI
3..



Further parts see page possible catch plates

6010-04-xxx	9A-520
6010-05-xxx	9A-540
6010-08-xxx	9A-620
6010-243-xxx	9A-570
6010-316-xxx	9A-570



Further parts see page possible catch plates

6010-06-xxx	9A-540
6010-09-xxx	9A-620
6010-12-xxx	9A-620
6010-315-xxx	9A-570
6010-316-xxx	9A-570
6010-958-xxx	9A-660



Further parts see page possible catch plates

6010-12-xxx	9A-620
6010-13-xxx	9A-640
6010-14-xxx	9A-640
6010-339-xxx	9A-640
6010-958-xxx	9A-660