

**INOX**  
AISI  
3..



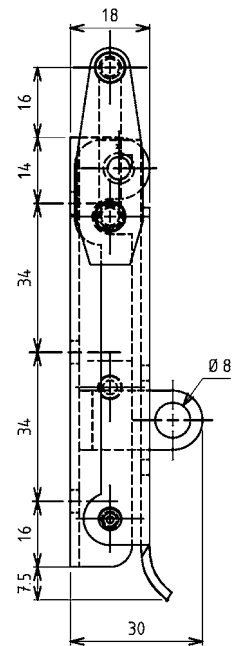
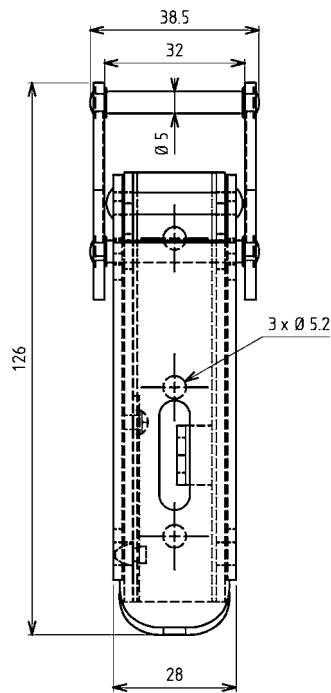
Further parts see page possible catch plates

- |              |        |
|--------------|--------|
| 6010-12-xxx  | 9A-620 |
| 6010-13-xxx  | 9A-640 |
| 6010-14-xxx  | 9A-640 |
| 6010-339-xxx | 9A-640 |
| 6010-958-xxx | 9A-660 |



Further parts see page possible catch plates

- |              |        |
|--------------|--------|
| 6010-12-xxx  | 9A-620 |
| 6010-13-xxx  | 9A-640 |
| 6010-14-xxx  | 9A-640 |
| 6010-958-xxx | 9A-660 |

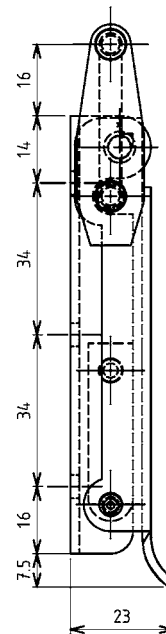
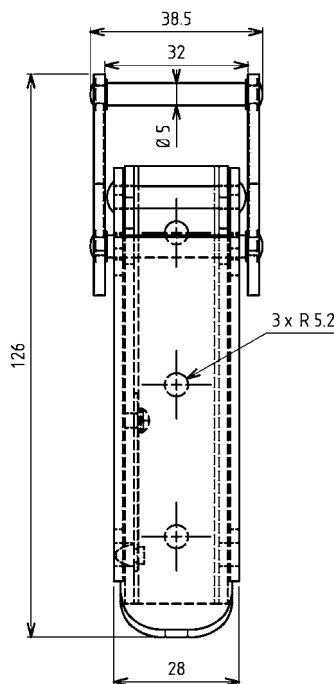


**Toggle latch with high opening resistance**

|                                            | Without padlock-facility | With padlock-facility |
|--------------------------------------------|--------------------------|-----------------------|
| Zinc plated steel DS plus Top Coat drilled | 6003-U82-JQ              | 6003-U81-JQ           |



STAINLESS STEEL



**Toggle latch with low opening resistance**

|                  | Without padlock-facility |
|------------------|--------------------------|
| AISI 304 drilled | 6003-U86-PC              |