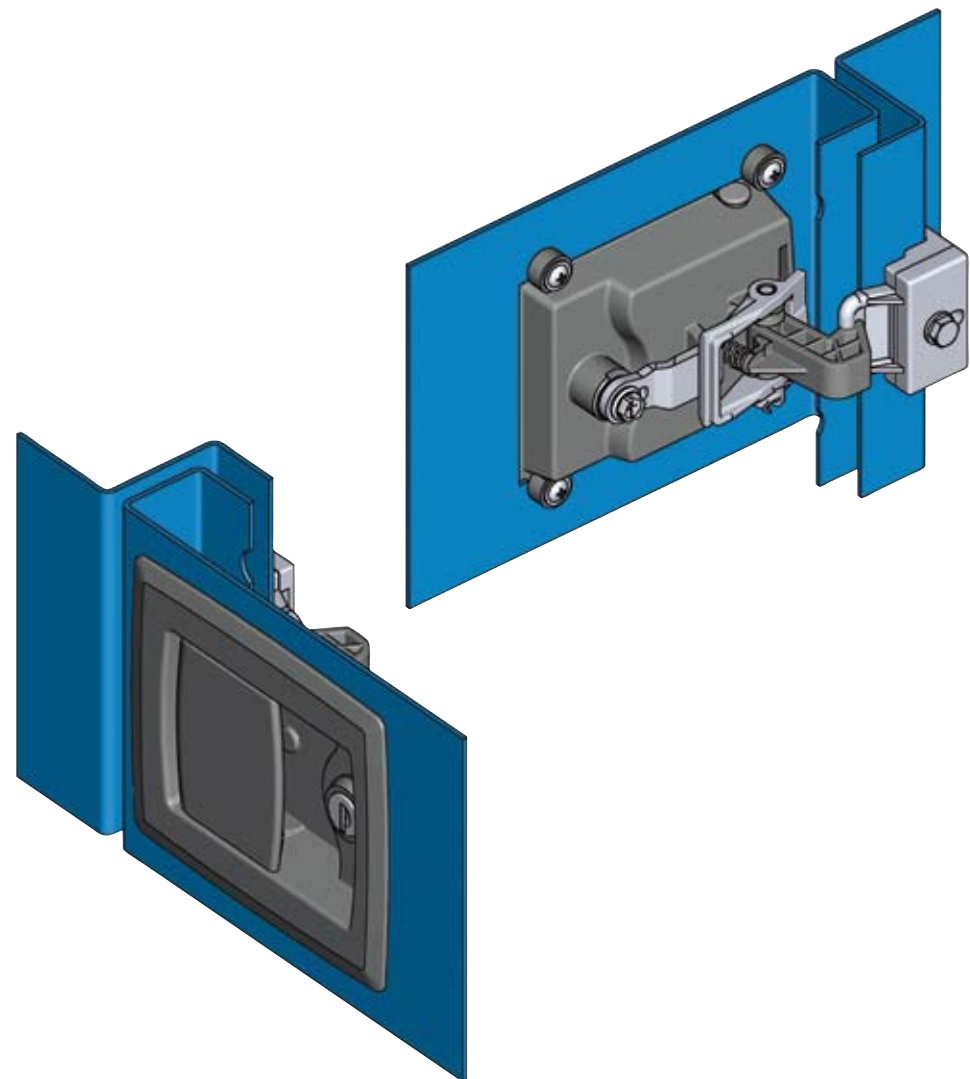
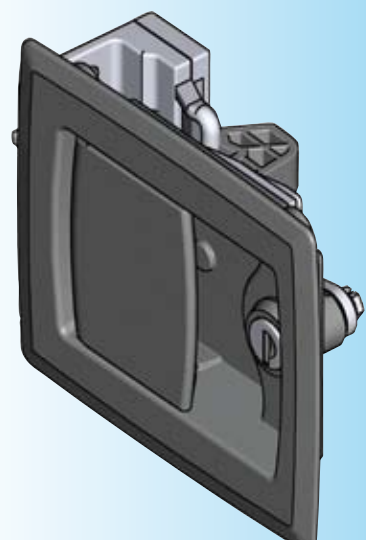
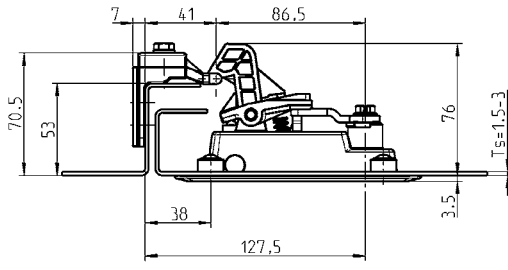
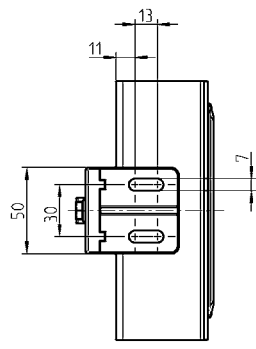
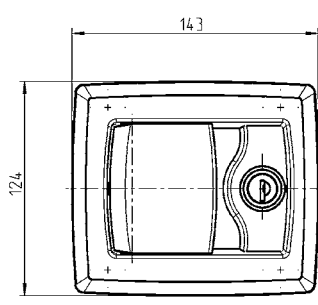
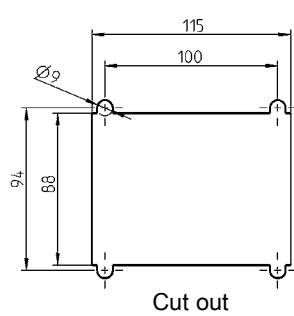


- Info
- 1 Quarter turns
- 2 Rod controls
- 3 Locking systems
- 4 Hinges
- 5 Gasketing
- 6 Handles
- 7 Aluminium windows
- 8 Stainless steel
- 9 Latches
- 10 Air-conditioning
- 11 ELM Security Systems
- Miscellaneous



**Note:**  
The Version 1130-U1 and -U2 are made for RH use by default.

Version for LH use is created by removal of the round cylinder rotating 180° and refitting.



**Function:**  
The spring-loaded locking hook is equipped with a "door-slam" effect. Thereby door can also be closed when locked.

Hinged pattern handle polyamide GF black, compensator and lock catch zinc die zinc pl., round cylinder zinc die with stainless steel cap and dust cap, springs stainless steel, cam and fastening material m.s. zinc pl., with seal  
Each round cylinder has one silver steel key with polyamide grip GF black.

Further parts see page  
– Spare key 12B-140

keyed EK 333	1130-U1
keyed different	1130-U2