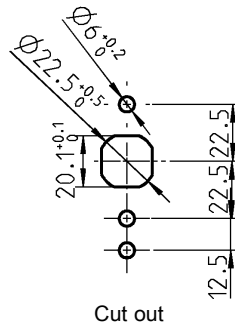
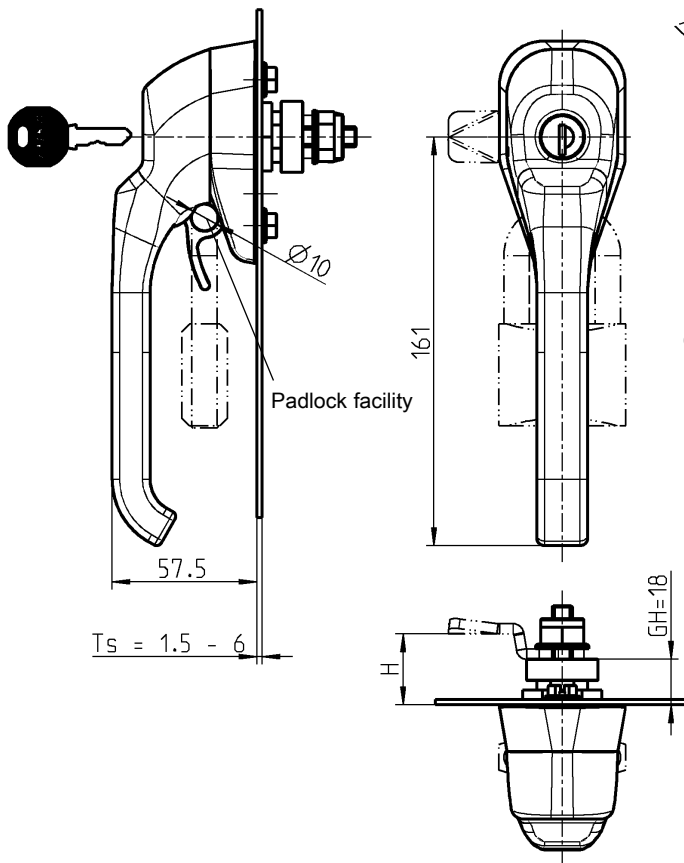
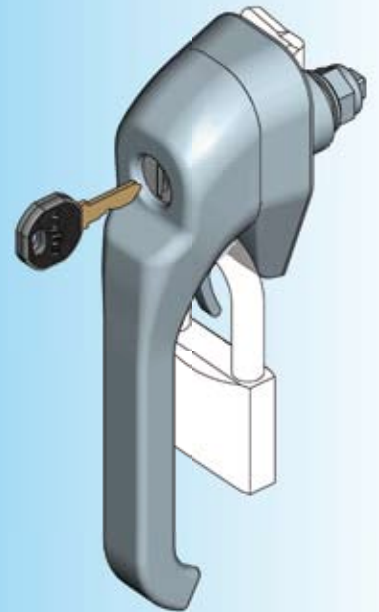
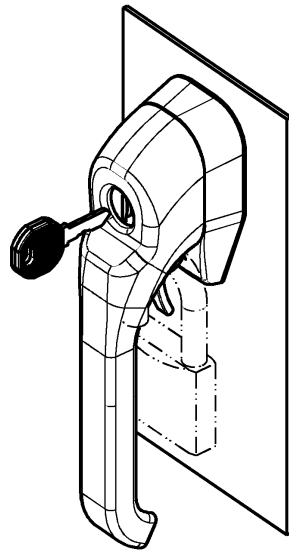


Stainless steel heavy duty latch

PROGRAM 1091



Only two of these three 6 mm diameter holes are required

Heavy duty latch AISI 316, round cylinder with stainless steel cap and dust cap zinc die chrome plated. Each cylinder has one silver steel key with polyamide GF grip black.

spring loaded

without insert	1091-U142
keyed EK 333	1091-U142-02
keyed different	1091-U142-03
Slot 2 x 4	1091-U142-01

Further parts see page

- Cam	8A-320
- 3-point cam	8A-790
- Spare key	12B-140