

## 180° screw-on hinge PROGRAM 1056

### Beschlagteile

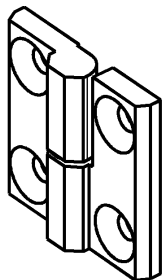
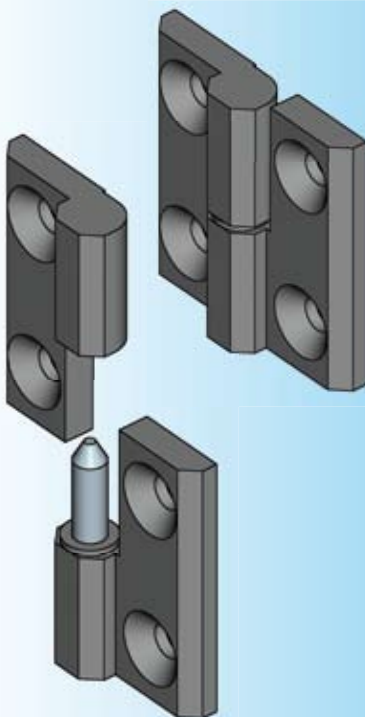
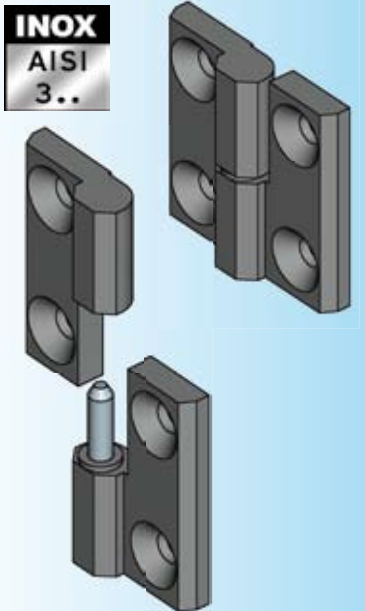
Info

1 Quarter turns

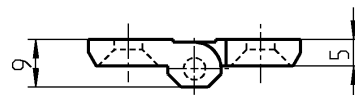
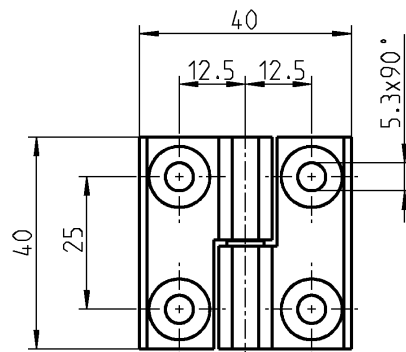
2 Rod controls

3 Locking systems

4 Hinges



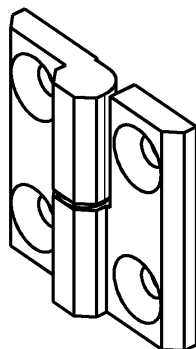
Right-hand version shown  
Left-hand version is a mirror-image



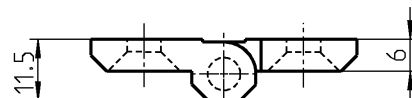
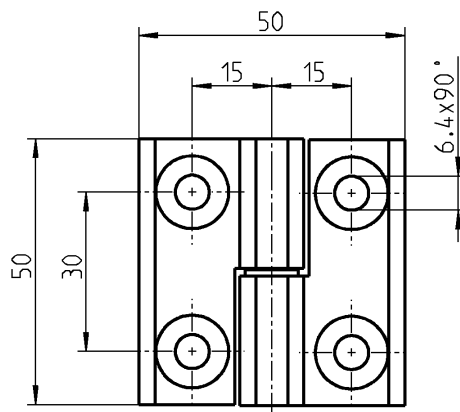
Screw-on hinge zinc die black powder coated or AISI 316,  
washer polyamide black or stainless steel

for countersunk screw M5

	Zinc die	AISI 316
LH version	1056-U54	1056-U54-PH
RH version	1056-U53	1056-U53-PH



Right-hand version shown  
Left-hand version is a mirror-image



Screw-on hinge zinc die black powder coated or AISI 316,  
washer polyamide black or stainless steel

for countersunk screw M6  
(2D-nut possible)

	Zinc die	AISI 316
LH version	1056-U56	1056-U56-PH
RH version	1056-U55	1056-U55-PH

Further parts see page  
– 2D-nut

12E-120