

SECURITY. VISIBLE.



# Compression latch with visual indicator for open status

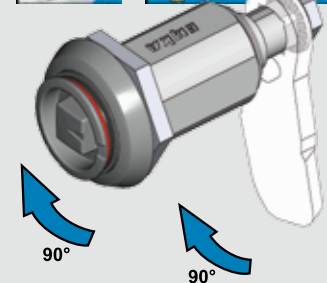
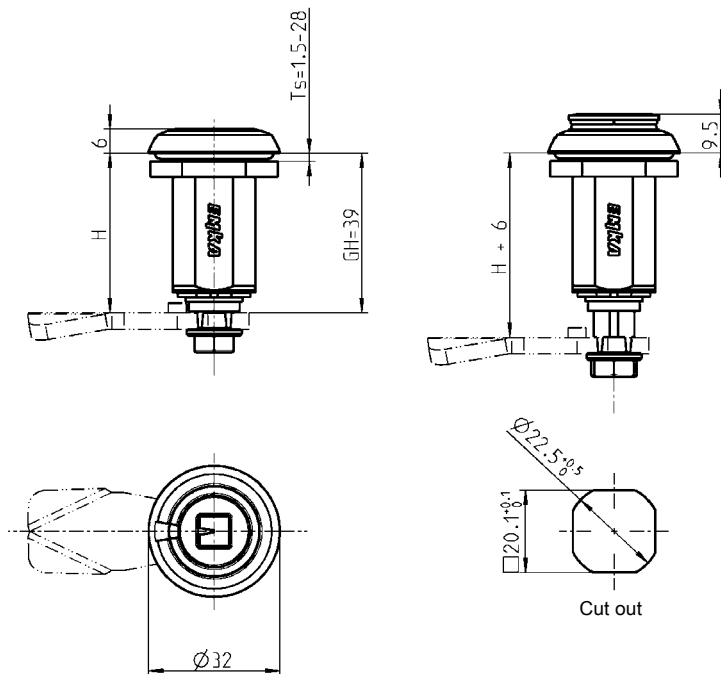
## PROGRAM 1000

### Vibration proof

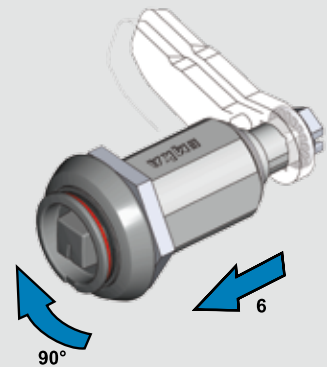
These latches are designed to be vibration resistant with a distinct "over-center" action.

Using this compression latch in conjunction with the shown cap (art. no. 1000-97-02 / catalogue page 1C-330) offers a further safety aspect to indicate the open status of the latch:

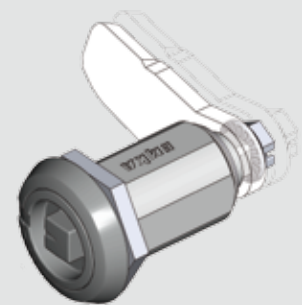
Additionally to the red ring visible, the dust cap can not be locked.



**Open condition**  
The first 90° of rotation of the insert also turns the cam 90°.



**Closed position**  
The second 90° of rotation of the insert draws the cam toward the door 6 mm axially.



**Compressed condition**

**Unlock:**  
Reversed rotation

**Further parts see page**

- Cam (GH = 40) 1C-120
  - Accessories from 1C-320
  - Escutcheon 3B-140
  - Key 12B-120
- Attention:** when using this cam the dimension H will be reduced by 1 mm

Housing and insert zinc die, surface with your choice, signal-ring red, nut and screw m.s. zinc plated, with spring and seal

	black powder coated	chrome plated
Square 8	1000-U846	1000-U846-IA
Double bit 5	1000-U847	1000-U847-IA
Railway	1000-U848	1000-U848-IA