

Rod with guiding shoe

PROGRAM 1121

Minimum order quantity: 200 pieces
Lower quantities on request!



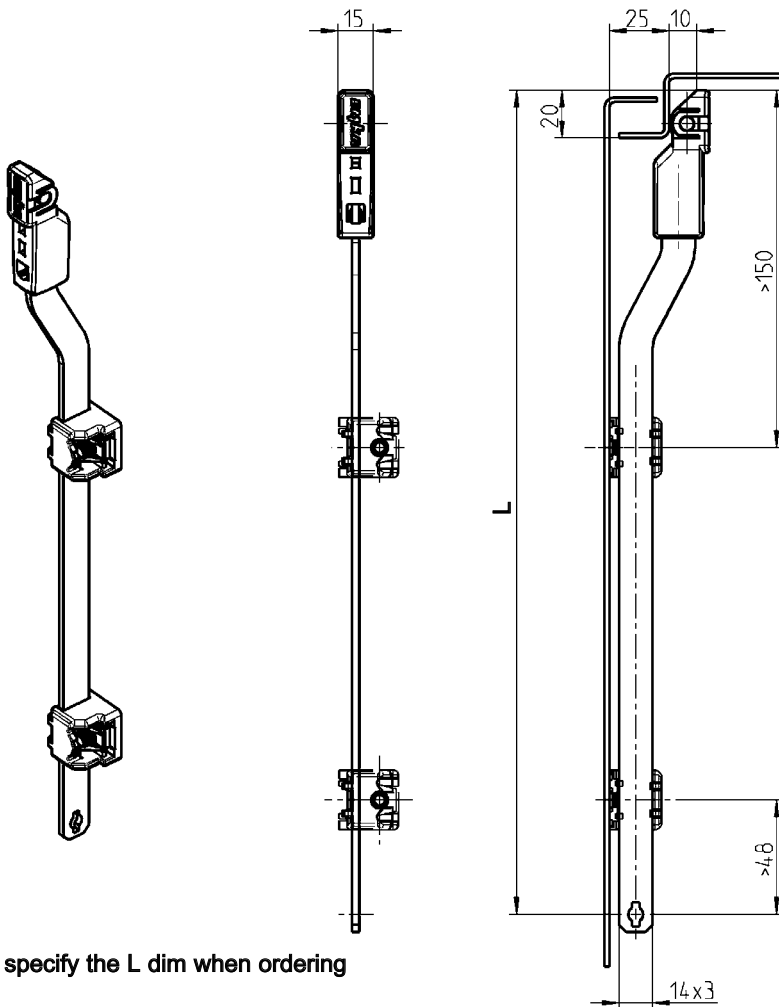
$L \leq 1200$

Ordering example:

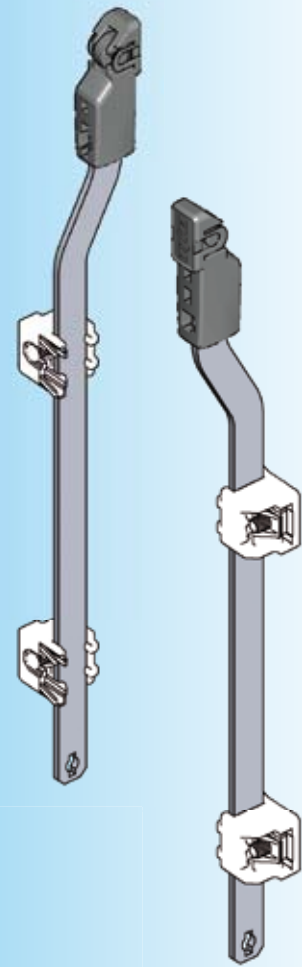
Order no. of the rod zinc plated complete with guiding shoe
with a length of 1034 mm = 1121-U187-L 1034

Usage: Program 1125, 1150, 1160, 1180, 1325, 2100, 2300, 3000

- rod control 3D-120; 3D-140; 3E-140; 3J-120; 3YA-120; 3YA-160
3YA-180; 3YA-220; 3YA-420; 3YA-520; 3YA-540



Please specify the L dim when ordering



Rod with guiding shoe, assembled, rod material of choice,
guiding shoe polyamide GF black, roller polyamide black

m.s. zinc plated	AISI 304
1121-U187-L mm	on request
(1121-U187-01 up to -08 see price list)	

Rod without drilling, with guiding shoe assembled, rods without drilling, material on choice,
guiding shoe polyamide GF black, roller polyamide black

m.s. zinc plated	AISI 304
$L + 7.5 = 1,007.5$	on request
1121-U189	

Further parts see page
- Rod guide 3ZC-120
up to 3ZC-170