

Compression swinghandle for storage box

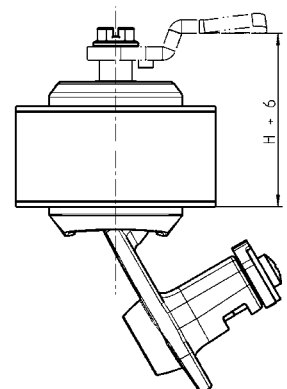
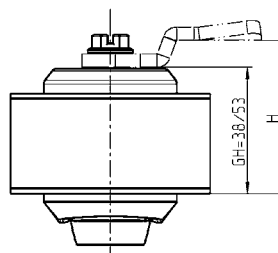
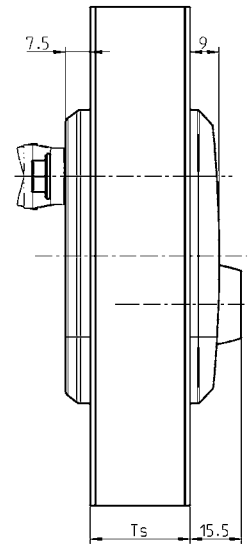
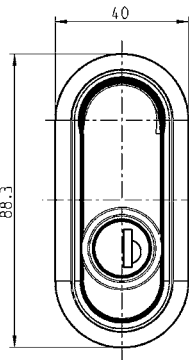
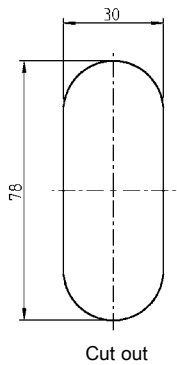
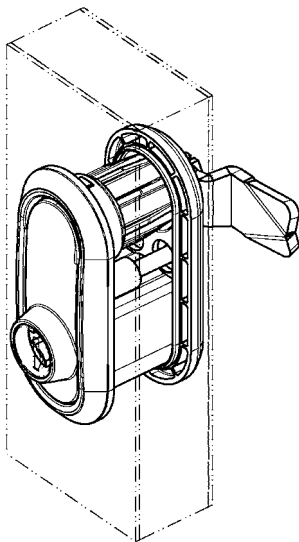
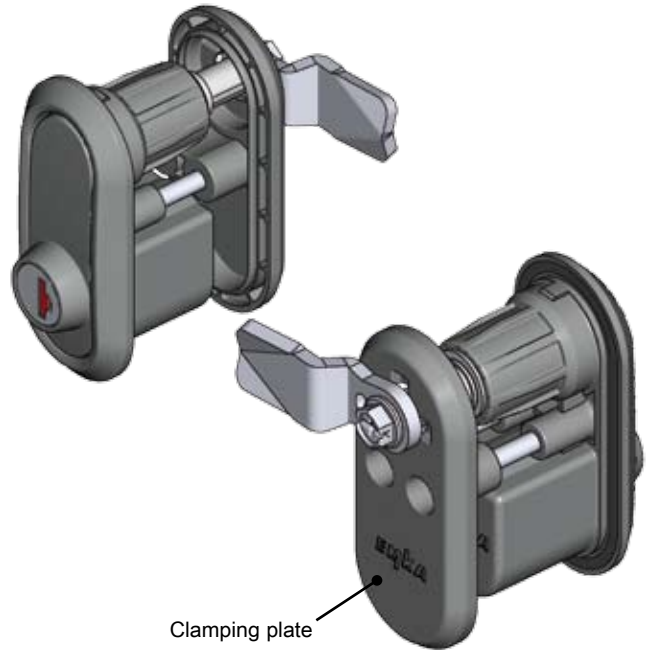
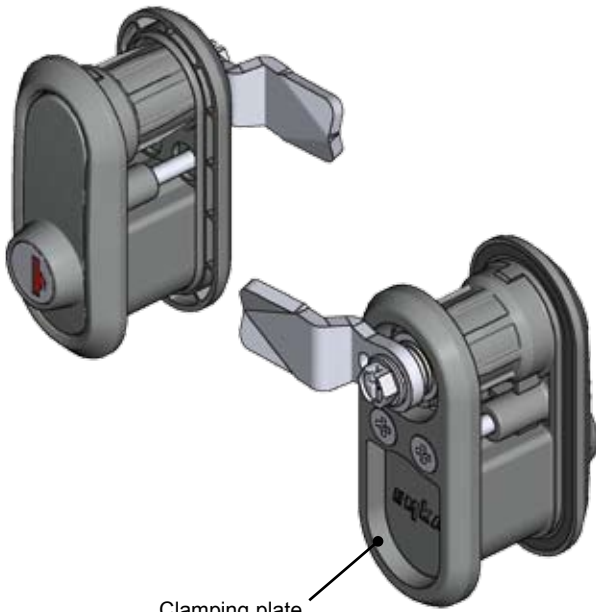
PROGRAM 1342

Vibration proof

The compression latch swinghandle is of vibration-proof design. Depending on the installation location and operational conditions specific checks are necessary and/or supplementary measures of fastening required.

for $T_s = 15 - 30 \text{ mm}$; $GH = 38 \text{ mm}$

for $T_s = 30 - 45 \text{ mm}$; $GH = 53 \text{ mm}$



- provided for clip-in cylinder, compatible with POS-clip-in cylinder 9850 (see Commercial-Vehicles-Catalogue page 12F-225)
- Compression swinghandles compatible with other commercial clip-in cylinder on request!
- Door thickness of 15 up to 45 mm



1 Quarter turns

2 Rod controls

3 Locking systems

4 Hinges

5 Gasketing

6 Handles

7 Aluminium windows

8 Stainless steel

9 Latches

10 Air-conditioning

11 ELM Security Systems

12 Miscellaneous

Compression swinghandle polyamide GF black, adapter for clip-in cylinder, screw m.s. zinc plated with spring and gasket.

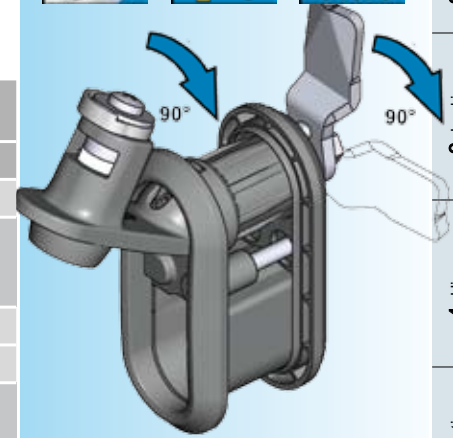
| | GH = 38 mm | | GH = 53 mm |
|--------------|------------|--------------|------------|
| Ts = 15 - 30 | 1342-U1-03 | Ts = 30 - 45 | 1342-U2-03 |

**To be ordered separately:
clamping plate polyamide GF black,
fixing material m.s. zinc plated**

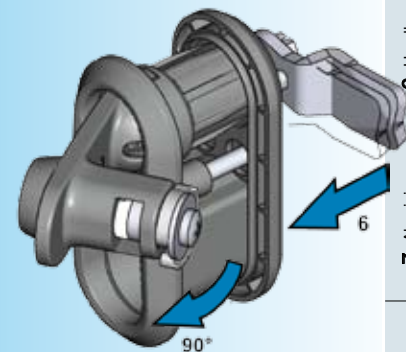
| | | | |
|--------------|---------|--------------|---------|
| Ts = 15 - 21 | 1342-U3 | Ts = 30 - 36 | 1342-U5 |
| Ts = 21 - 30 | 1342-U4 | Ts = 36 - 45 | 1342-U6 |

**To be ordered separately:
cam m.s. zinc plated**

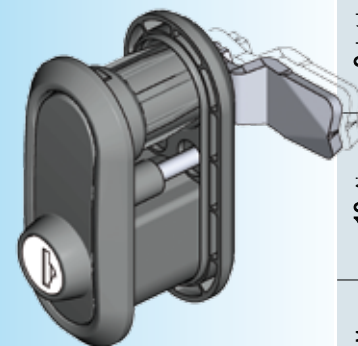
| H | GH = 38 mm | H | GH = 53 mm |
|----|------------|----|------------|
| 38 | 1000-17 | 38 | - |
| 40 | 1000-16 | 40 | - |
| 42 | 1000-15 | 42 | - |
| 44 | 1000-14 | 44 | - |
| 45 | 1000-27 | 45 | - |
| 46 | 1000-50 | 46 | - |
| 48 | 1000-13 | 48 | - |
| 50 | 1000-28 | 50 | - |
| 52 | 1000-26 | 52 | - |
| 53 | - | 53 | 1000-17 |
| 54 | 1000-12 | 54 | - |
| 55 | 1000-11 | 55 | 1000-16 |
| 56 | 1000-51 | 56 | - |
| 57 | - | 57 | 1000-15 |
| 58 | 1000-52 | 58 | - |
| 59 | - | 59 | 1000-14 |
| 60 | 1000-25 | 60 | 1000-27 |
| 61 | - | 61 | 1000-50 |
| 62 | 1000-53 | 62 | - |
| 63 | - | 63 | 1000-13 |
| 64 | 1000-54 | 64 | - |
| 65 | 1000-10 | 65 | 1000-28 |
| 67 | 1000-55 | 67 | 1000-26 |
| 69 | - | 69 | 1000-12 |
| 70 | 1000-56 | 70 | 1000-11 |
| 71 | - | 71 | 1000-51 |
| 73 | - | 73 | 1000-52 |
| 75 | - | 75 | 1000-25 |
| 77 | - | 77 | 1000-53 |
| 79 | - | 79 | 1000-54 |
| 80 | - | 80 | 1000-10 |
| 82 | - | 82 | 1000-55 |
| 85 | - | 85 | 1000-56 |



Open condition
The 90° rotation of the handle turns the cam.



Closed position
Further 90° rotation of the handle draws the cam toward 6 mm axially.



Compressed condition
Unlock:
Reversed rotation

Further parts see page
– Clip-in cylinder 12F-225
(Commercial-Vehicles-Catalogue)