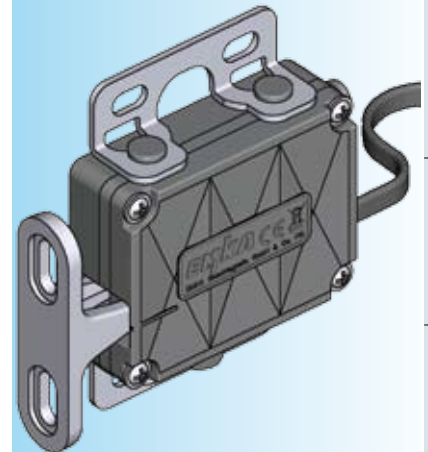
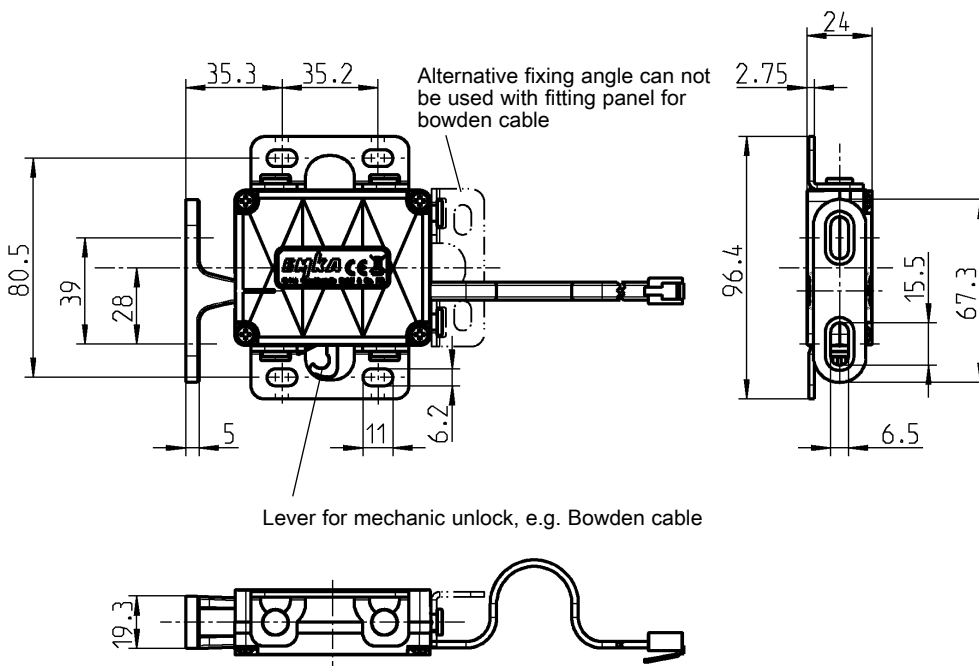
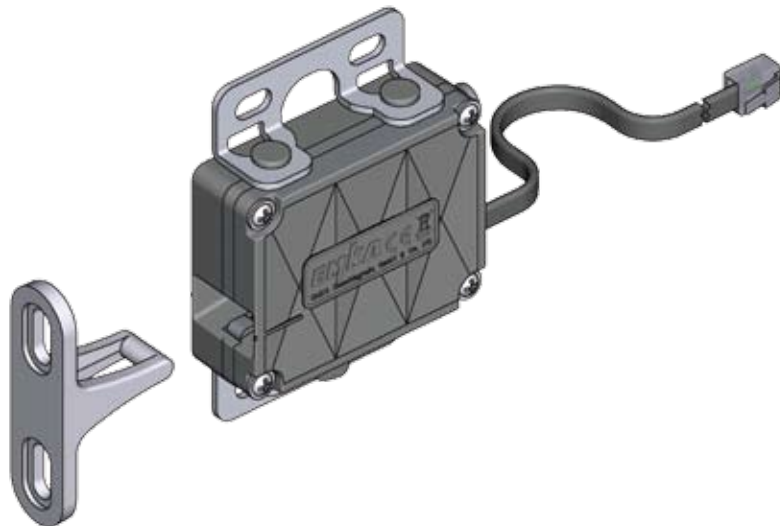


Electronic Locking System

PROGRAM 3000

Single point latch with integrated status contact

The single point latch can be used as universal electromechanical lock. It can be released by applying a 12 V DC signal or be connected to ELM control modules 3000-U32-0x and 3000-U33-0x.



Single point latch with integrated status contact, housing Polyamide 66+PA6i GF 40 V0 black; rotary latch und ratchet are bonded coated; catch bracket AISI 316; gear motor; electronic; RJ cable 150 mm; fastening angle m.s. zinc plated; screw m.s. zinc plated; with springs; with assembly instruction and user manual

Basic	3000-U300-01
Basic delayed Re-Lock; with delayed re-lock	3000-U300-02
Energy-store; automatic unlock in case of power failure	3000-U300-03
Adapter cable for RJ-box to	
open cable end for modular construction form KIT	3000-U15
Plug for modules of type Box and 19" rack mount unit	3000-U15-01

See general catalog 2011 for page references you can't find in the ECHO (e.g. 1B-105).

© EMKA Beschlagteile GmbH & Co. KG 2012

On request:
 – Fitting panel for Bowden cable
 – Bowden cable

11A-330

Info

1 Quarter turns

2 Rod controls

3 Locking systems

4 Hinges

5 Gasketing

6 Handles

7 Aluminium windows

8 Stainless steel

9 Latches

10 Air-conditioning

11 ELM Security Systems

77