

Stainless steel locks



Info

1 Quarter turn

2 Rod controls

3 Locking systems

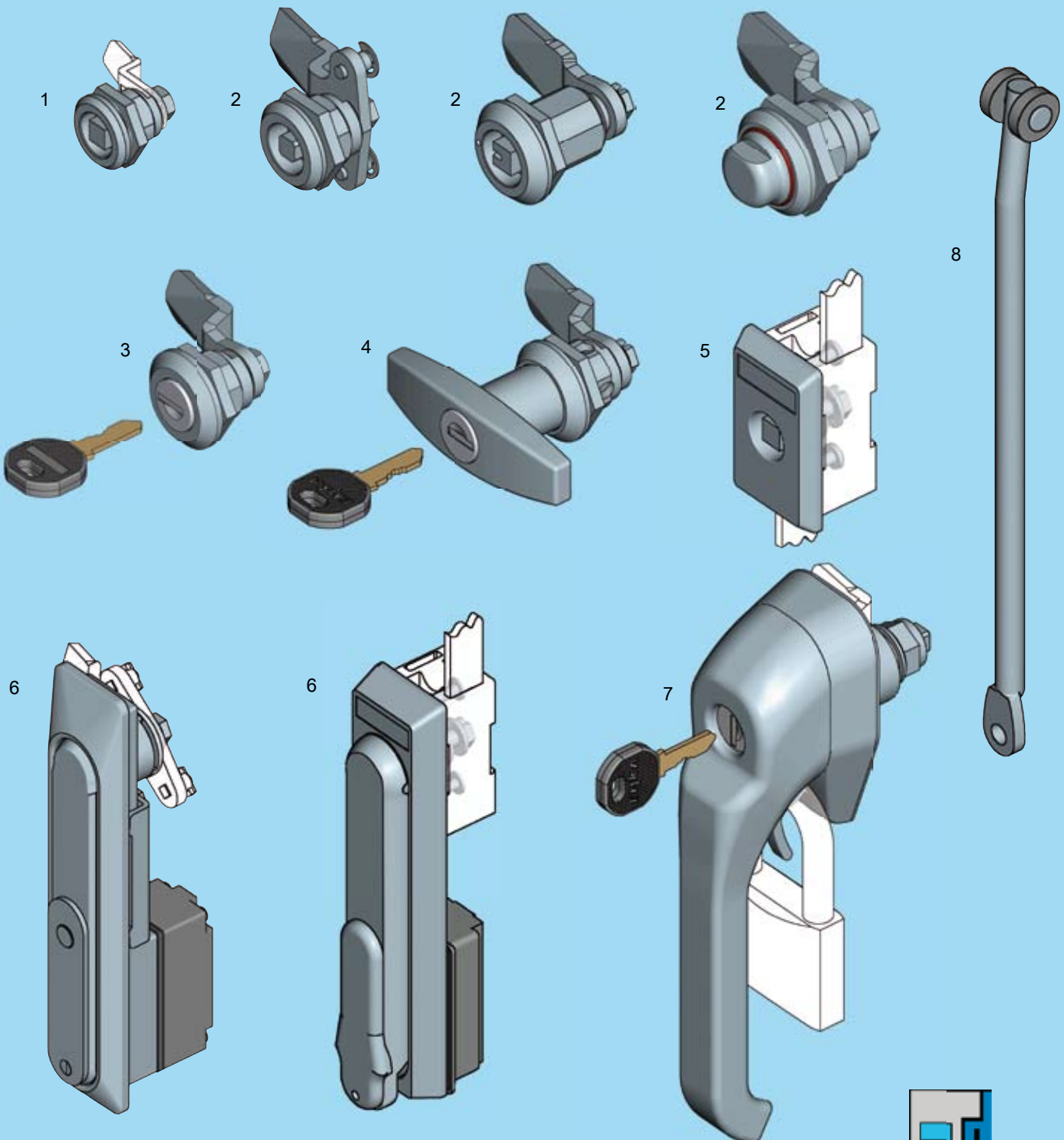
4 Hinges

5 Gasketing

6 Handle

7 Aluminium window

8 Stairl. steel



- 1 Quarter turn small
- 2 Quarter turns
- 3 Quarter turn with cylinder
- 4 Handle
- 5 Escutcheon
- 6 Swinghandle
- 7 Heavy duty latch
- 8 Rod

- Program 1022
- Program 1000
- Program 1000
- Program 1000
- Program 1000
- Program 1125, 1150
- Program 1091
- Program 1000

- 8A-120
- 8A-220 to 8A-244, 8A-290
- 8A-250
- 8A-260, 8A-280
- 8A-510, 8A-520
- 8A-620 to 8A-680
- 8A-840
- 8A-360



further articles such as cam, bearing bush, rod control, rod guide

8A-100