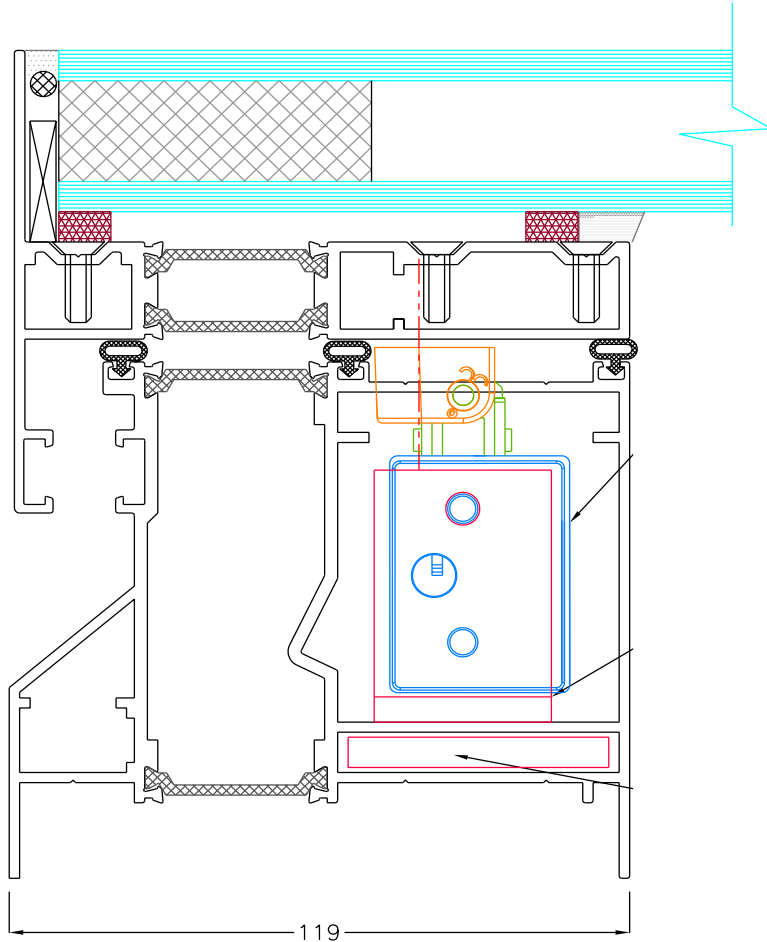
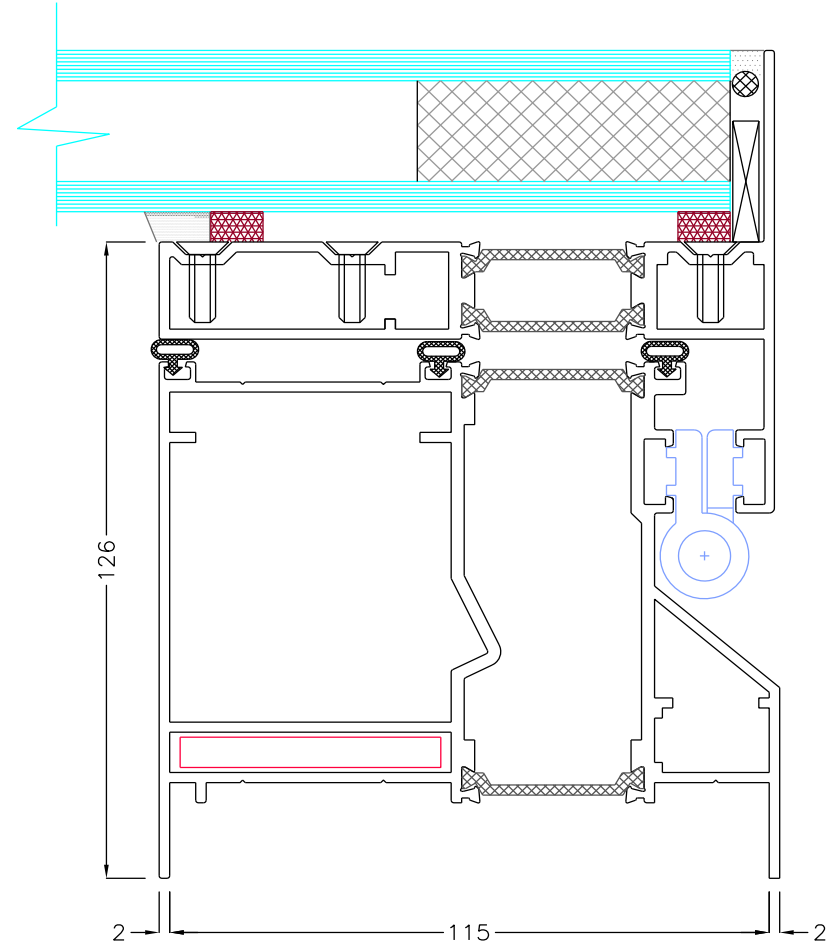


A Section thru Actuator side.
(Closed position)



B Section thru Hinge side.
(Closed position)



Finished upstand minimum width- 95mm
Finished upstand maximum width- 110mm

GLIDELINE

1	Feb17	All profiles updated.
REV	DATE	DETAILS.

SCALE	DATE
1:1 @ A3	Nov 2016
CHECKED	MATERIAL
DRAWN	FINISH

DRAWING TITLE.
Opening Rooflight Profile arrangement.

PART No	
REV	DRAWING No
1	RL 021