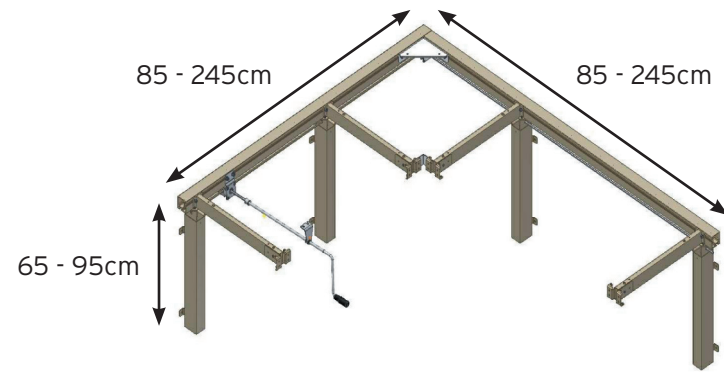
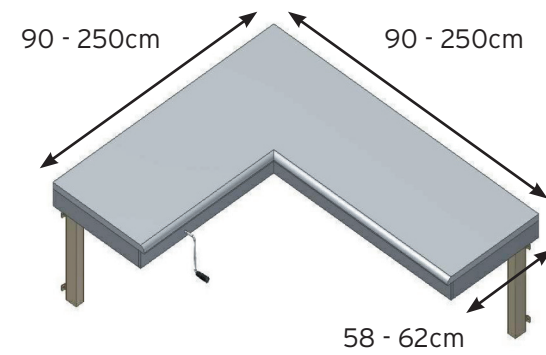


FlexiManual Corner standard frame for worktop



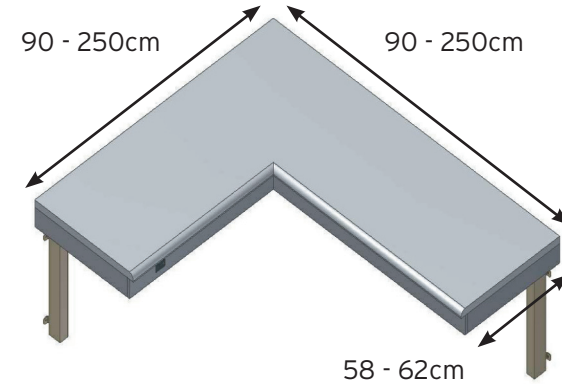
Frame including worktop and fascia



FlexiElectric Corner standard frame for worktop



Frame including worktop and fascia



For more information
please contact:

SCANFLEX LTD
2 Thursby Road
Croft Business Park
Bromborough
CH62 3PW

t: 0151 343 1523
f: 0151 343 1514
e: info@scanflex.co.uk
www.scanflex.co.uk

- Ideal for single person use of the kitchen.
- Using two separate Flexi frames into a corner would allow two people to work at different heights - the corner frame suits just one person.
- The hob, sink and preparation area can all be adjusted in one movement.
- Useful if space is limited by maximising the corner area.
- Available in any size up to 250x250cm.
- Economical alternative to two separate Flexi frames.
- Available in manual or electric and with all the Flexi accessories.
- Max. load of frame is 150kg evenly distributed over the entire frame.

ROPOX
BETTER WAYS TO BETTER DAYS

ROPOX A/S
Ringstedgade 221
DK-4700 Næstved
Tel. +45 5575 0500
Fax. +45 5575 0550
info@ropox.dk
www.ropox.com

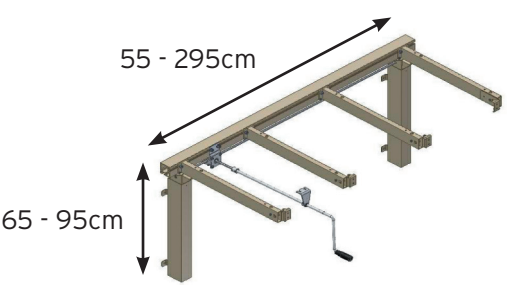
Flexi

**ELECTRIC OR MANUAL HEIGHT ADJUSTABLE FRAME FOR WORKTOPS
GIVES FREE ACCESS SPACE BELOW WORKTOPS FOR WHEELCHAIR USERS
PROVIDES THE PERFECT HEIGHT FOR EVERYONE TO SAFELY REACH THE WORKSPACE, HOB AND SINK**

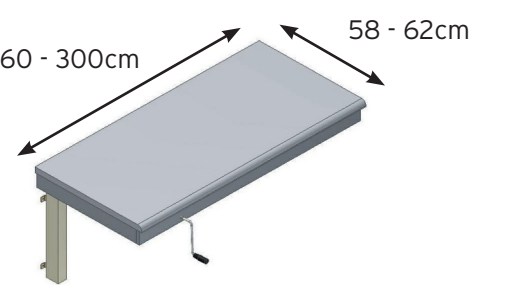
- The system raises and lowers worktops by 30cm, simply by pushing a control switch, or by means of a handle.
- FlexiManual is suitable for infrequent adjustment and where a carer adjusts the height.
- FlexiElectric is best for frequent adjustment and to increase independence.
- A hob or sink (with flexible plumbing) can easily be inset into standard width worktop.
- Flexi can be made to suit any length worktop from 60-300cm.
- A safety strip should always be used with FlexiElectric to prevent trapping.
- FlexiElectric safety strip can be linked using Smart Boxes to prevent trapping between adjacent worktops.
- Leg covers or concealment panels can be used to totally hide the frame.
- **Flexi is ideal in private homes, schools, training kitchens and in sheltered housing.**

FlexiManual and FlexiElectric


FlexiManual standard frame for worktop



FlexiManual including worktop and fascia

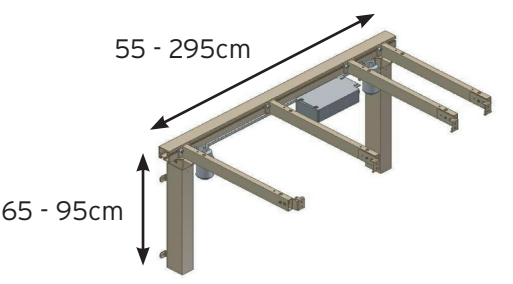


Handle delivered with the frame 30-67660

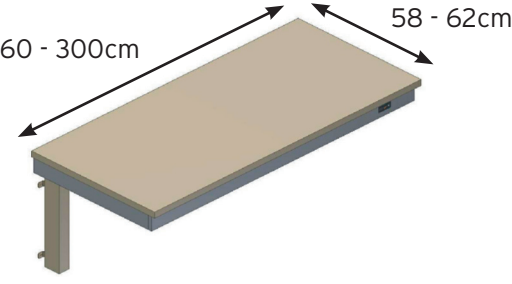


Models/Item	30-65060/ 30-65100	30-65105/ 30-65150	30-65155/ 30-65200	30-65205/ 30-65250	30-65255/ 30-65300
Length of worktop	60 - 100cm	105 - 150cm	155 - 200cm	205 - 250cm	255 - 300cm


FlexiElectric standard frame for worktop



FlexiElectric including worktop and fascia



Standard Control Switch 6x3cm delivered with the frame 30-67840



Models/Item	30-66060/ 30-66100	30-66105/ 30-66150	30-66155/ 30-66200	30-66205/ 30-66250	30-66255/ 30-66300
Length of worktop	60 - 100cm	105 - 150cm	155 - 200cm	205 - 250cm	255 - 300cm

ROPOX TIPS

- Allow a space of 3-5mms either side of the worktop.
- An upstand fitted to the worktop prevents liquids flowing over the back edge.
- Use fascia panels of 5-8cm at the front and sides of the frame.
- FlexiElectric Safety Strips should be fitted below all fascia panels.
- Add a Smart Box for each adjacent FlexiElectric.
- The control unit must always be fitted to the underside of the worktop.
- Large press pads are best for limited dexterity but the standard control is more discreet.
- The standard support arms are for 58-62cm worktops. Other support arms are available to suit worktops between 34 and 72cm.
- Max. load on the frame is 150kg evenly distributed over the entire frame.

Flexi Accessories

ACCESSORIES for FlexiManual and FlexiElectric

Support arms for worktop depth 34 - 72cm
30-67619 - 30-67624



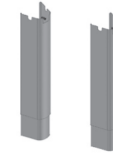
Support feet length 30cm or 49cm
30-67702 or 30-67703



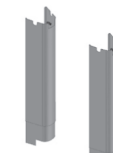
Cable hanger
30-67685



Covers for legs without supporting foot
30-67735 white
30-67736 stainless steel



Covers for legs with supporting foot
30-67737 white
30-67738 stainless steel



Fitting for concealment panels
30-67760



Distance bracket
30-67672



Flexible plumbing kit
40-25754



Sink A-400 incl. insulation plate
30-45007 - 40x34x14.5cm
30-45008 - 40x34x10cm



ACCESSORIES for FlexiElectric

Safety strip, length 56-620cm
30-69056 - 30-69620



Smart Box
30-69001



Extension cable for safety stop
30-67870



Spiral extension cable for safety stop, length 25-150cm
30-67871



Extension cable for standard control switch and large press pad
30-40660



Large press pad
30-67841



Infra red control
30-67849



Re-programming of control unit reduction of height adjustment upwards
30-66010



ACCESSORIES for FlexiManual

Electrical kit - Conversion from manual to electric
30-67866 - frames 60 - 104cm
30-67867 - frames 105 - 300cm

