



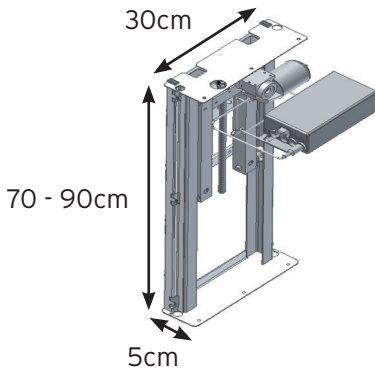
VertiElectric

ELECTRIC HEIGHT ADJUSTABLE FRAME FOR WALL UNITS IDEAL FOR SHELTERED HOUSING THE FRAME IS TOTALLY HIDDEN IN USE

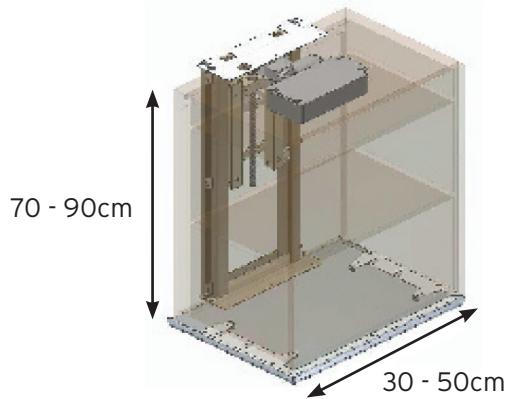
- This electric wall unit frame enables the user to reach items in a wall unit that otherwise would be impossible to reach.
- The system raises and lowers wall units 30cm vertically, simply by pushing a control switch, normally located in fascia below the worktop.
- The framework remains completely hidden throughout the movement.
- Only 5cm of extra projection is added to the wall units, so that there is still worktop space in front of the units at the low position.
- Two models of frames are made which can support wall units from 30 - 120cm.
- A safety stop plate can be fitted below the units to prevent the risk of trapping anything on the worktop below.
- Lights can be fitted in the safety stop plate to improve visibility.
- **VertiElectric is ideal in private homes.**

VertiElectric

30cm wall unit frame
Item 30-40603



Unit sizes for 30cm VertiElectric

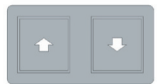


Standard Control Switch
6 x 3cm
Delivered with the frame
30 - 67840

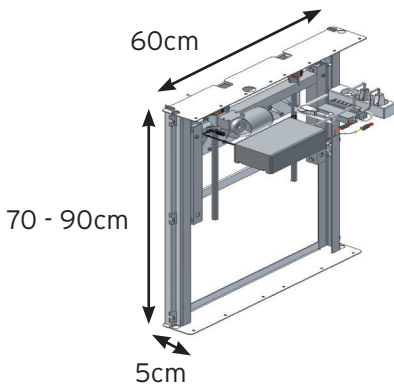


ACCESSORIES

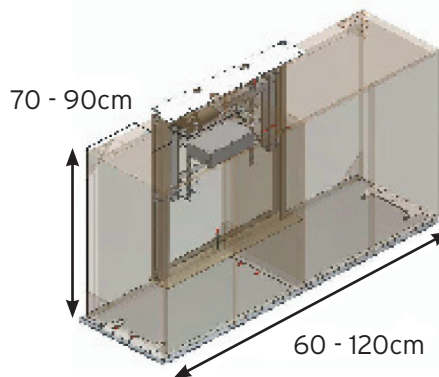
Large Press Pad
14 x 7cm
30 - 67841



60cm wall unit frame
Item 30-40606



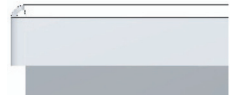
Unit sizes for 60cm VertiElectric



Infrared control
30 - 67849

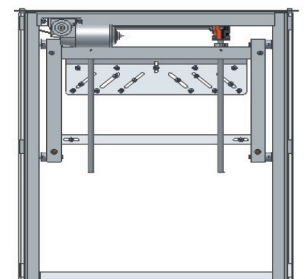


Safety Stop Plate
30-416XXX



ROPOX TIPS

- Allow a space of 3-5mm's either side of the units for free movement.
- To line up adjacent fixed wall units space them off the wall by 5cm.
- The wall units should have a solid top and base.
- Smaller doors of 30/40cm may be easier to open at worktop height without having to step back.
- Consider the location of the control switch - if there is space below the worktop the fascia is normally best - if there are units below the VertiElectric, a remote control may be best.
- To prevent the risk of trapping we recommend installing a safety stop plate.
- 8mm bolts/ screws to suit the substrate should be used.
- Max. load on frames is 80kgms.



Front view of the frame

For more information please contact:
SCANFLEX LTD
t: 0151 343 1523
f: 0151 343 1514
e: info@scanflex.co.uk
www.scanflex.co.uk

ROPOX
BETTER WAYS TO BETTER DAYS

ROPOX A/S
Ringstedgade 221
DK-4700 Næstved
Tel. +45 5575 0500
Fax. +45 5575 0550
info@ropox.dk
www.ropox.com

