

# **ISOframe**<sup>®</sup> *wave*

***The World's first fully flexible display system!***



**Flex the entire display to create  
the shape you need  
Simple tool-less assembly  
Self-aligning graphics**

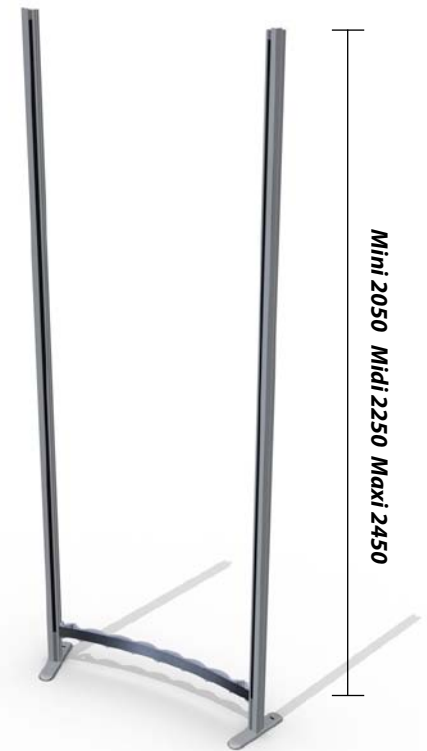
***pure exhibitionism***<sup>™</sup>

**Starter Modules**

Mini Midi Maxi

**IS-W1-SU      Mini 2050mm      Kg**

| <b>Code</b> | <b>Contents</b>                            |
|-------------|--|
| IS-W750-BP  | 2 x 763 Base Post with FASTclamp           |
| IS-0750-EP  | 2 x 750 Centre Posts                       |
| IS-0550-TP  | 2 x 550 Top Posts                          |
| IS-WFT-01   | 2 x Dual Position Base Supports            |
| IS-W-FL     | 1 x Flexi-Wave Link                        |
| IS-800-GS   | 2 x Magnetic Graphic Stiffeners            |
| IS-81-CT    | 2 x Mini Trim Kits                         |
| IS-800-KH   | 1 x iLine Kicker and Hanger Kits           |
|             | <i>All magnetic tape for frame applied</i> |



Mini 2050    Midi 2250    Maxi 2450

**IS-W2-SU      Midi 2250mm      Kg**

| <b>Code</b> | <b>Contents</b>                            |
|-------------|--|
| IS-W750-BP  | 2 x 763 Base Post with FASTclamp           |
| IS-0750-EP  | 2 x 750 Centre Posts                       |
| IS-0750-TP  | 2 x 750 Top Posts                          |
| IS-WFT-01   | 2 x Dual Position Base Supports            |
| IS-W-FL     | 1 x Flexi-Wave Link                        |
| IS-800-GS   | 2 x Magnetic Graphic Stiffeners            |
| IS-82-CT    | 2 x Midi Trim Kits                         |
| IS-800-KH   | 1 x iLine Kicker and Hanger Kits           |
|             | <i>All magnetic tape for frame applied</i> |


**Exploded view**
**IS-W3-SU      Maxi 2450mm      Kg**

| <b>Code</b> | <b>Contents</b>                            |
|-------------|--|
| IS-W750-BP  | 2 x 750 Base Post with FASTclamp           |
| IS-0850-EP  | 2 x 850 Centre Posts                       |
| IS-0850-TP  | 2 x 850 Top Posts                          |
| IS-WFT-01   | 2 x Dual Position Base Supports            |
| IS-W-FL     | 1 x Flexi-Wave Link                        |
| IS-800-GS   | 2 x Magnetic Graphic Stiffeners            |
| IS-83-CT    | 2 x Maxi Trim Kits                         |
| IS-800-KH   | 1 x iLine Kicker and Hanger Kits           |
|             | <i>All magnetic tape for frame applied</i> |

**Extension Modules**

Mini Midi Maxi

**IS-W1-EU Mini 2050mm**

| Code       | Contents                                   |
|------------|--|
| IS-W750-BP | 1 x 750 Base Post with FASTclamp           |
| IS-0750-EP | 1 x 750 Centre Post                        |
| IS-0550-TP | 1 x 550 Top Post                           |
| IS-WFT-01  | 1 x Dual Position Base Supports            |
| IS-W-FL    | 1 x Flexi-Wave Link                        |
| IS-800-GS  | 2 x Magnetic Graphic Stiffeners            |
| IS-800-KH  | 1 x iLine Kicker and Hanger Kits           |
|            | <i>All magnetic tape for frame applied</i> |

**IS-W2-EU Midi 2250mm**

| Code       | Contents                                   |
|------------|--|
| IS-W750-BP | 1 x 750 Base Post with FASTclamp           |
| IS-0750-EP | 1 x 750 Centre Post                        |
| IS-0550-TP | 1 x 750 Top Posts                          |
| IS-WFT-01  | 1 x Dual Position Base Supports            |
| IS-W-FL    | 1 x Flexi-Wave Link                        |
| IS-800-GS  | 2 x Magnetic Graphic Stiffeners            |
| IS-800-KH  | 1 x iLine Kicker and Hanger Kits           |
|            | <i>All magnetic tape for frame applied</i> |

**IS-W3-EU Maxi 2450mm**

| Code       | Contents                                   |
|------------|--|
| IS-W750-BP | 1 x 750 Base Post with FASTclamp           |
| IS-0750-EP | 1 x 850 Centre Post                        |
| IS-0550-TP | 1 x 850 Top Post                           |
| IS-WFT-01  | 1 x Dual Position Base Supports            |
| IS-W-FL    | 1 x Flexi-Wave Link                        |
| IS-800-GS  | 2 x Magnetic Graphic Stiffeners            |
| IS-800-KH  | 1 x iLine Kicker and Hanger Kits           |
|            | <i>All magnetic tape for frame applied</i> |

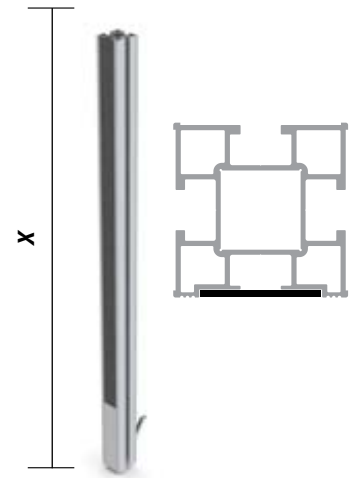


**Exploded view**

**Posts**

**Base Posts** Includes Self-aligning iLine system & FASTclamp

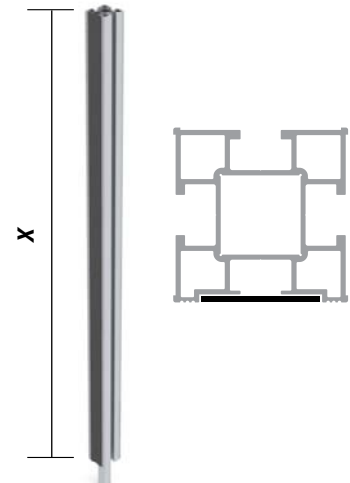
| Code       | X (mm) | Mini, Midi, Maxi |
|------------|--------|------------------|
| IS-W763-BP | 763    |                  |



**Base Post**

**Extension Post** Includes Self-aligning Magnetic Tape

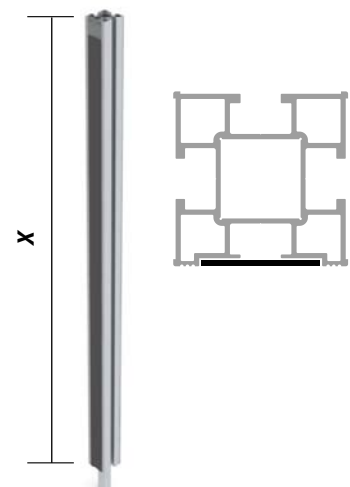
| Code       | X (mm)                      | Mini, Midi, Maxi |
|------------|-----------------------------|------------------|
| IS-0200-EP | 200                         |                  |
| IS-0250-EP | 250                         |                  |
| IS-0400-EP | 400                         |                  |
| IS-0500-EP | 500                         |                  |
| IS-0750-EP | 750                         |                  |
| IS-0850-EP | 850                         |                  |
| IS-****-EP | Lengths to order (100-2000) |                  |



**Centre Post**

**Top Post** Includes Self-aligning iLine System

| Code       | X (mm)                      | Mini, Midi, Maxi |
|------------|-----------------------------|------------------|
| IS-0550-TP | 550                         |                  |
| IS-0750-TP | 750                         |                  |
| IS-0850-TP | 850                         |                  |
| IS-****-TP | Lengths to order (100-2000) |                  |

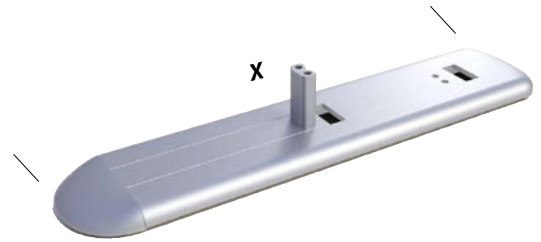


**Top Post**

**Spares & Accessories**

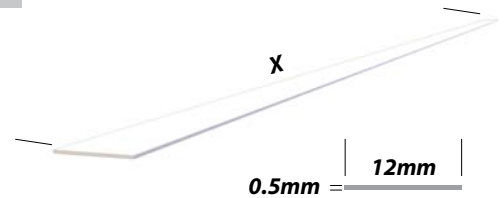
**Base Supports**

| Code      | Xmm |          |
|-----------|-----|----------|
| IS-WFT-01 | 400 | Standard |



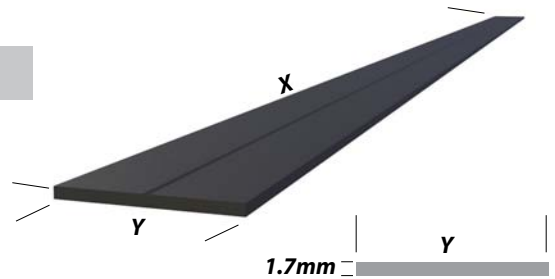
**Steel Tape 12mm Self-adhesive**

| Code       | Xmm                          |  |
|------------|------------------------------|--|
| IS-0550-ST | 550                          |  |
| IS-0750-ST | 750                          |  |
| IS-0850-ST | 850                          |  |
| IS****-ST  | Lengths to order (100 - 300) |  |
| IS-0763-ST | 763                          |  |



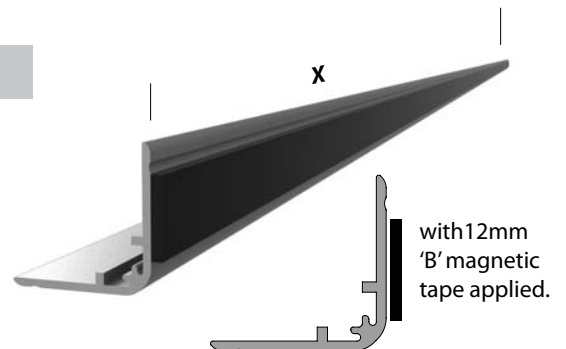
**Magnetic Tape**

| Code      | Xm      | Ymm |                 |
|-----------|---------|-----|-----------------|
| DM-013-AC | 30 roll | 12  | A               |
| DM-025-BC | 30 roll | 25  | B Self-aligning |



**Magnetic Graphic Stiffener**

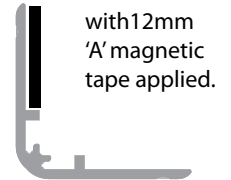
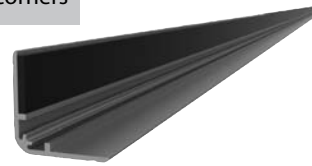
| Code       | Xmm                         |                      |
|------------|-----------------------------|----------------------|
| IS-0800-GS | 750                         | For 800 wide graphic |
| IS****-GS  | Lengths to order (200-1000) |                      |



## Spares & Accessories

### Corner Trim For finishing the ends of the display or for external corners

| Code       | Xmm                        |
|------------|----------------------------|
| IS-81-CT   | For Mini height graphic    |
| IS-82-CT   | For Midi height graphic    |
| IS-83-CT   | For Maxi height graphic    |
| IS-****-CT | Lengths to order (10-3000) |



### iLine Graphic Hanger & Kicker - pairs

| Code       | Xmm         |
|------------|-------------|
| IS-0800-KH | 800 Graphic |
| IS-0400-KH | 400 Graphic |



### Replacement Clamp kit

| Code     | Contents          |
|----------|-------------------|
| IS-CL-SP | Complete assembly |



## Spares & Accessories

### ISOframe Spotlight

**Code**

- IS-SL-AC UK Spotlight
- IS-SL-EU European Spotlight
- IS-FL-AC UK floodlight
- IS-FL-EU European floodlight



### TFT Mount

**Code**

- IS-80-TM02      VESA TFT Mount for Screens up to 8kg  
Cut-out size 100mm x 100m
  
- IS-80-TM03      VESA TFT Mount for Screens up to  
20kg. Cut-out size 520mm x 180m

*We recommend a table attachment under the monitor is used for increased stability.*

*For screens larger than 30kg a special mount system can be supplied. Please call for details.*



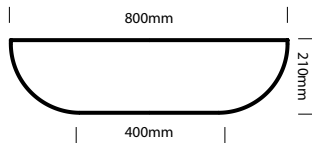
VESA TFT Mount for Screens up to 8kg

VESA TFT Mount for Screens up to 20kg

**Spares & Accessories** See page 3.013 - 3.015 for graphic sizes

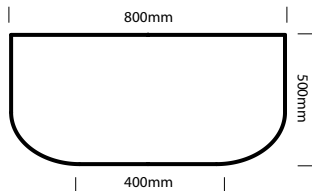
**Keyboard Table Attachment Kit 880mm Height**

| Code       | Contents  |
|------------|---|
| IS-80-TA03 | Keyboard Table Attachment Kit                                       |
| IS-FC-01   | Cable Port in table top<br><i>Please instruct required position</i> |
| IS-80-TB03 | Carrying Bag  |



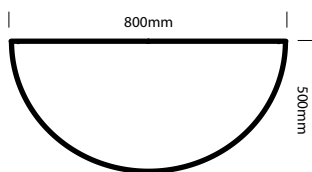
**Square Table Attachment Kit 880mm Height**

| Code       | Contents  |
|------------|---|
| IS-80-TA01 | Square Table Attachment Kit   |
| IS-FC-01   | Cable Port in table top<br><i>Please instruct required position</i> |
| IS-80-TB01 | Carrying Bag  |



**Semi-circular Table Attachment Kit 880mm Height**

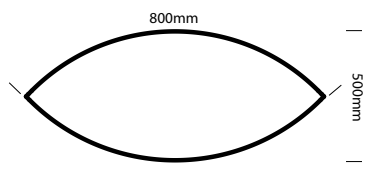
| Code       | Contents  |
|------------|---|
| IS-80-TA02 | Semi-circular Table Attachment Kit                                  |
| IS-FC-01   | Cable Port in table top<br><i>Please instruct required position</i> |
| IS-80-TB02 | Carrying Bag  |



**Spares & Accessories**

**90° Corner Table Attachment Kit 880mm Height**

| Code       | Contents  |
|------------|---|
| IS-80-TA04 | 90° Corner Table Attachment Kit                                     |
| IS-FC-01   | Cable Port in table top<br><i>Please instruct required position</i> |
| IS-80-TB04 | Carrying Bag  |



**Carry Cases**

**ISOframe Transport Case**

| Code       | Contents  |
|------------|---|
| IS-TC-01   | IS-TC-01 and IS-0850-RT<br>Combi Frame and Graphic trolley                |
| IS-0850-RT | Rigid graphic tube holds up to 7<br>ISOframe Wave graphics                |
| IS-TC-01   | Wheeled ISOframe Semi-rigid<br>caseholds up to 7 ISOframe<br>Wave modules |



**ISOframe Wheeled Graphic Case**

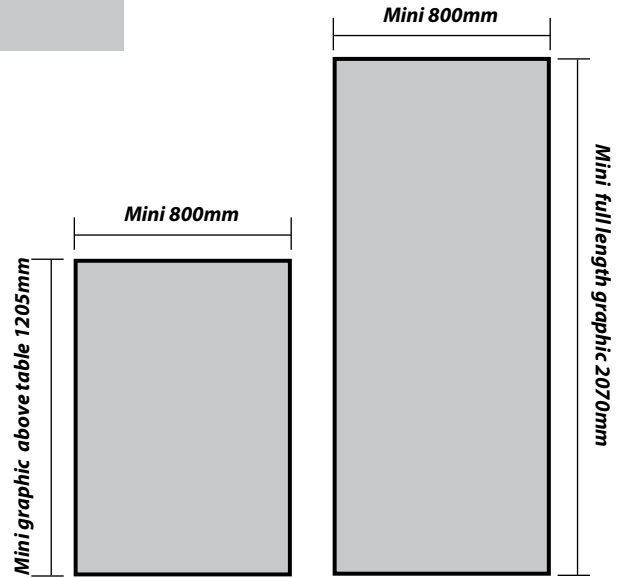
| Code       | Contents                                 |
|------------|--|
| IS-1000-WC | Holds up to 12 ISOframe Wave<br>graphics |



**Printed Graphic Panel Sizes**

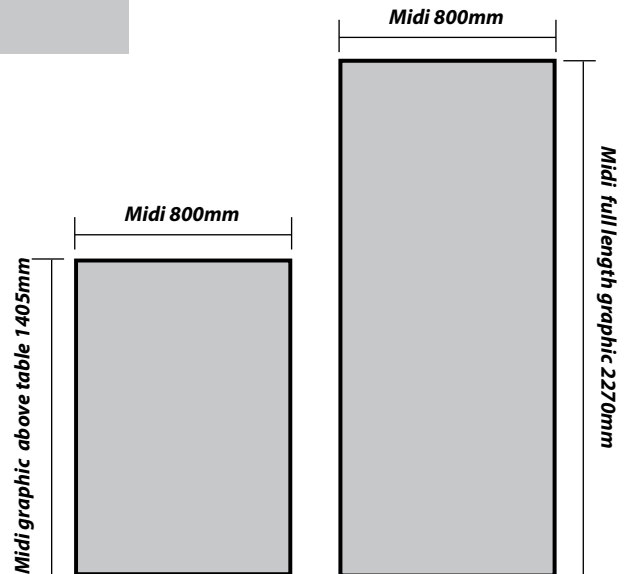
**Mini**

| Code     | Contents  |
|----------|---|
| IS-81-PM | Wave full length graphic panel<br>800mm x 2070mm  |
| IS-81-PT | Wave graphic panel above table<br>800mm x 1205mm<br>Includes iLine fixings and<br>magnetic tape |



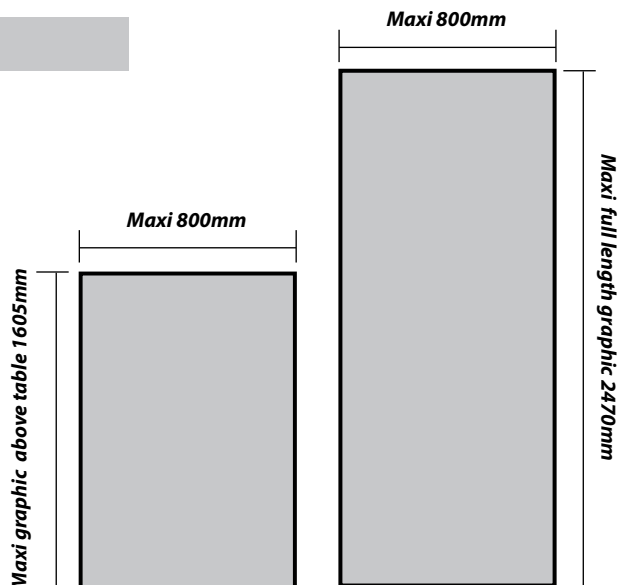
**Midi**

| Code     | Contents  |
|----------|---|
| IS-82-PM | Wave full length graphic panel<br>800mm x 2270mm  |
| IS-82-PT | Wave graphic panel above table<br>800mm x 1405mm<br>Includes iLine fixings and<br>magnetic tape |



**Maxi**

| Code     | Contents  |
|----------|---|
| IS-83-PM | Wave full length graphic panel<br>800mm x 2470mm  |
| IS-83-PT | Wave graphic panel above table<br>800mm x 1605mm<br>Includes iLine fixings and<br>magnetic tape |

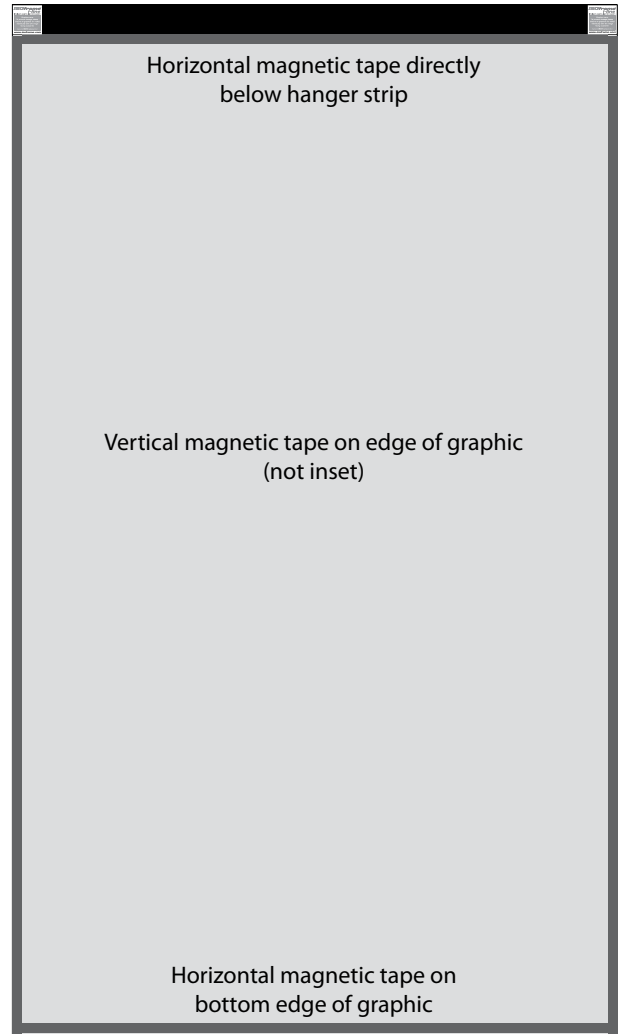


**Full Length Graphic** (reverse side)

**Above Table Graphic** (reverse side)

iLine Hanger strip on top edge of graphic

iLine Hanger strip on top edge of graphic



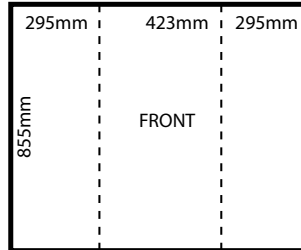
**Table Graphic Wrap Sizes**

**Keyboard Table Graphic Wrap**

**1013 mm x 855mm**

**Code**

IS-80-GW03

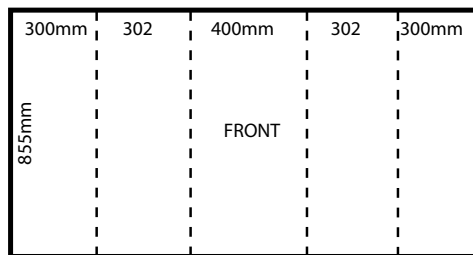


**Square Table Graphic Wrap**

**1604mm x 855mm**

**Code**

IS-80-GW01

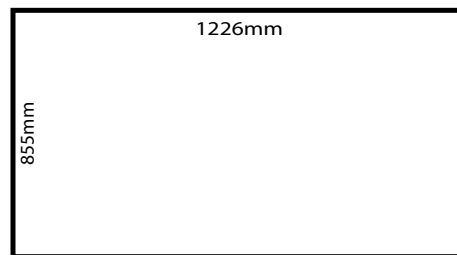


**Semi-circular Table Graphic Wrap**

**1226mm x 855mm**

**Code**

IS-80-GW02

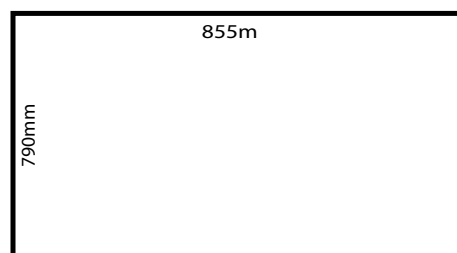


**90° Corner Table Graphic Wrap**

**790mm x 855mm**

**Code**

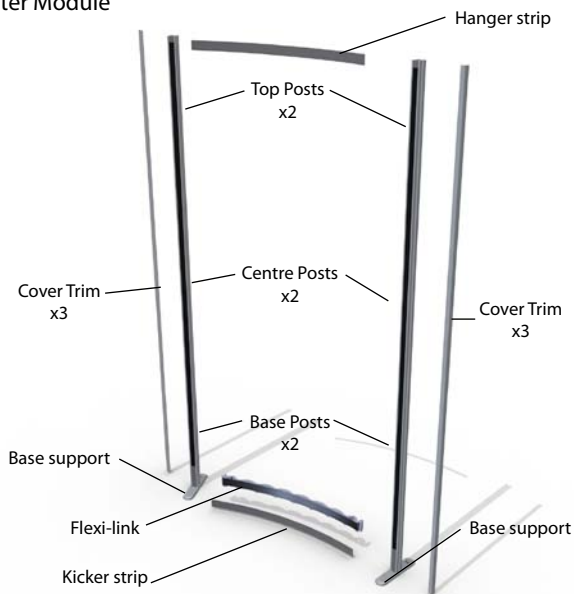
IS-80-GW04



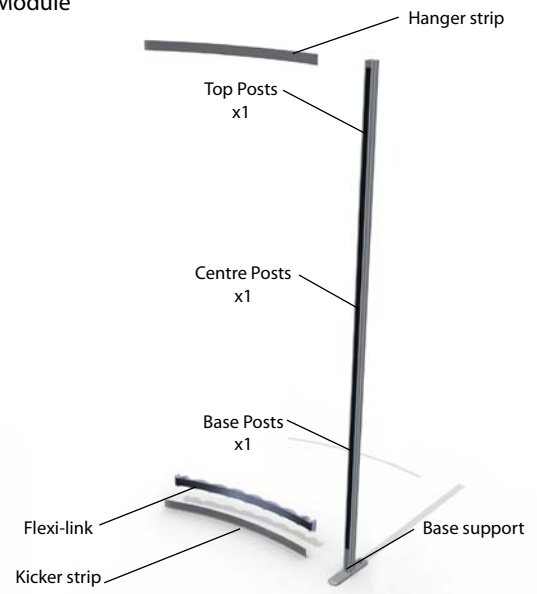
## Assembly Instructions

### Parts

#### Starter Module



#### Extension Module



### Step 1

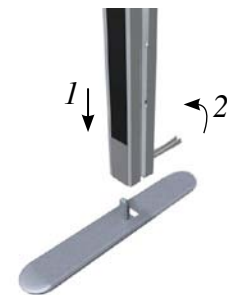
Layout the flexi-links and base supports on the floor in the approximate final shape.



### Step 2

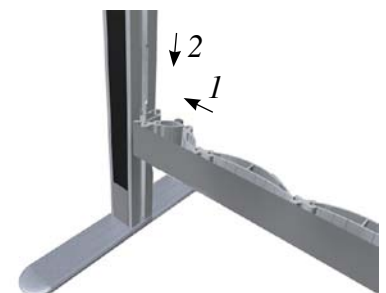
Open the clamp on the first base post, insert into foot and close clamp.

**IMPORTANT if any resistance is felt when closing the clamp please re-position it as forcing the clamp closed will damage it.**



### Step 3

Insert flexi link into the slot on the side of the base post, lower down onto stopper.



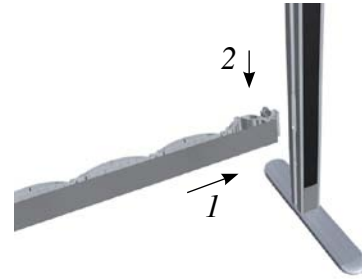
## Assembly Instructions

### Step 4

Repeat step 1 for a second base post.

Insert the flexi link into the second base post and lower.

Repeat steps 2-4 until all base posts are linked together.



### Step 5

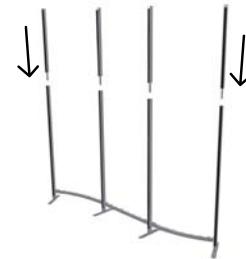
**IMPORTANT** Now arrange the display to create the desired shape ensuring the Flexi-links 'blend' seamlessly from one post to the next.



### Step 6

Lower the centre posts onto the base posts, followed by the top posts.

*If using spot lights it is advisable to insert the spot light into the top post before placing the post onto the stand.*



### Step 7

Starting at the centre of the display apply the graphics.

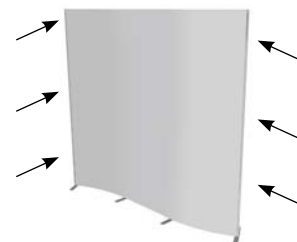
**IMPORTANT** Ensure that the graphics project 10-15mm above the top of the framework. If the graphic is not level it will create problems when the remaining graphics are applied.

Apply the remaining graphics.



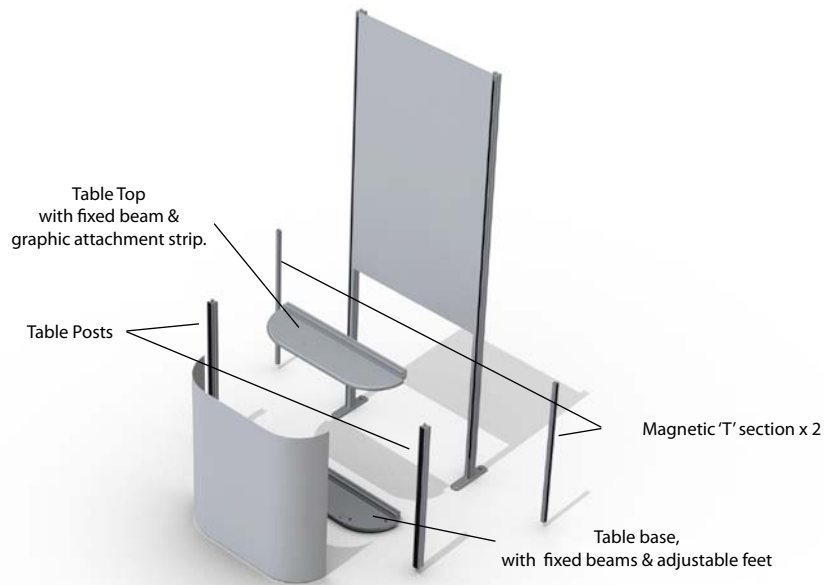
### Step 8

Apply corner trim to each end of the display and where the graphics meet at a 90° outside corner.



## Table Attachment Assembly Instructions

### Parts



### Step 1

Before attaching any graphics to the stand fix the base into position by resting it on the floor and clamping the horizontal beam into position.

**It is also advised to attach the table base in place while defining the overall stand shape**



### Step 2

Attach the magnetic corner profile onto the stand uprights making sure the magnetic tape is facing outwards to enable the table graphic to attach onto.

**IMPORTANT: Ensure the profile touches the base of the table.**



### Step 3

Attach the two table posts into the base. Open the clamps at the top of the table posts.

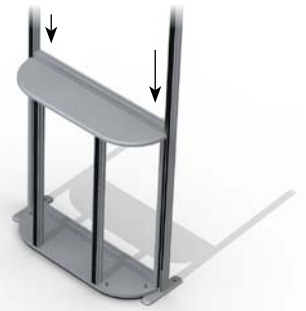


## Assembly Instructions

### Step 4

lower the table top into position, ensure the underside of the top is resing on the magnetic corner profile attached in instruction step 2

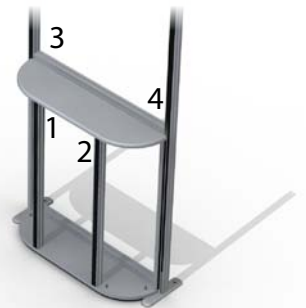
Ensure the table post clamps are both inside the holes in the front plates.



### Step 5

Close all 4 clamps,

**IMPORTANT: If any resistance is felt do not force the clamp closed check the post or beam is seated correctly.**



### Step 6

Attach the graphic to the front of the table



### Step 7

Attach the graphic above the table along with the graphics for the rest of the stand.



## Replacement Clamp Instructions

### Step 1

With the handle in the closed position remove the small screw.



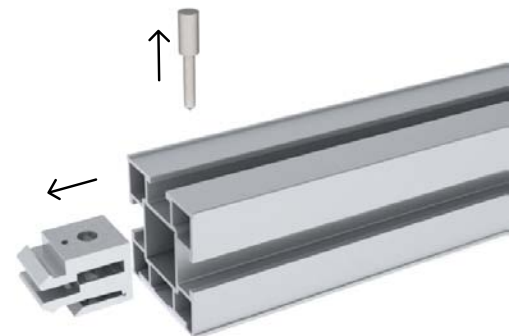
### Step 2

Push the handle and pivot out of the end of the bar. You may need to lift the handle slightly and tap with a hammer.



### Step 3

Remove the pin followed by the clamp. Replace the clamp ensuring it is the correct way up. Replace the pin.



### Step 4

With the handle at approximately 45 degrees push the handle back into the channel and gently tap the pivot to put it back into place.



### Step 5

Replace the small screw with a new one.

