

Gate Valve

BS3464 PN16 ☆ NRS Type ☆ Flanged End

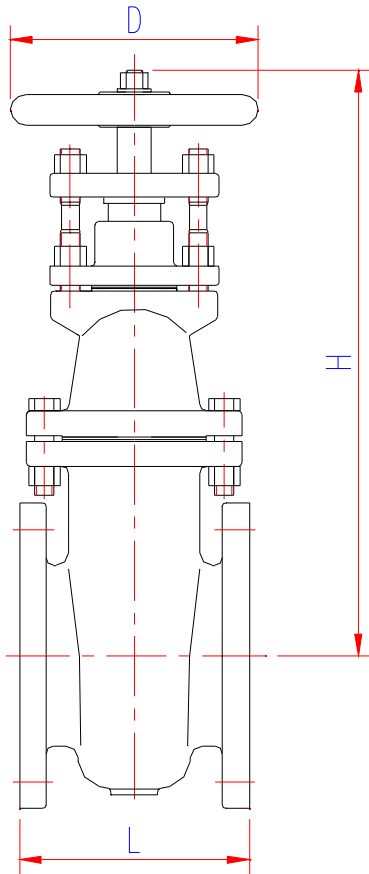


Figure Number

3146	Stem material: brass or stainless steel
------	---

Pressure and Temperature

Nominal Pressure	16bar
Working Temperature	-10°C to 120°C
Suitable Media	Water, Oil, Gas

Materials List:

No.	PART NAME	MATERIAL	BS Spec.
1	Body	Cast Iron	EN-JL1040
2	Seat Trim	Cast Bronze	1400 LG2
3	Wedge	Cast Iron	EN-JL1040
4	Wedge Trim	Cast Bronze	1400 LG2
5	Stem	Stainless Steel	970 420S37
		Brass	2874 CZ121
6	Bonnet	Cast Iron	EN-JL1040
7	Packing	Graphite	Non-asbestos
8	Handwheel	Ductile Iron	EN-JS1050

Dimensions

DN	50	65	80	100	125	150	200	250	300
L	146	159	165	171	191	210	241	273	305
H	305	325	355	400	490	535	685	805	885
D	191	191	191	305	305	305	305	406	547

Note:

1. The valves comply with BS3464.
2. Flanges: BS10 Table D/E , BS4504 PN10/16 & ANSI B16.1 Class 125. other flange types are available.
3. Design & materials are subject to change without notice.