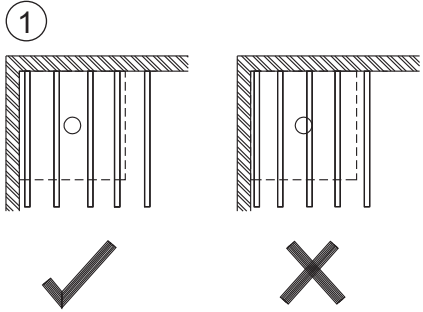


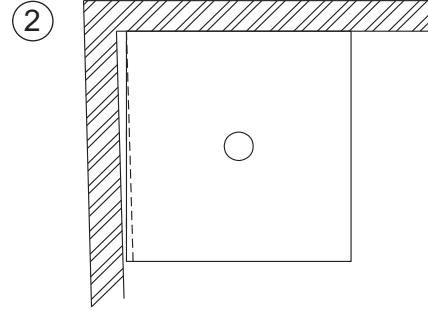
# Installation instructions for OTL Tiled Shower Formers



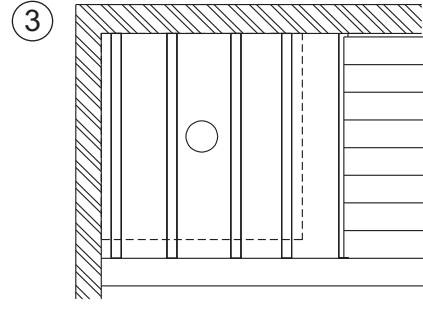
On The Level  
 Unit 8  
 Youngs Industrial Estate  
 Stanbridge Road  
 Leighton Buzzard  
 Bedfordshire  
 LU 7 4QB  
 TEL : 01525 373202  
 FAX : 01525 373222



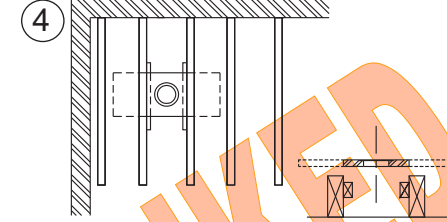
1  
 Locate the position of the shower area. Place the tray on the floor. Position the waste outlet hole so that it is not obstructed by any of the joists.



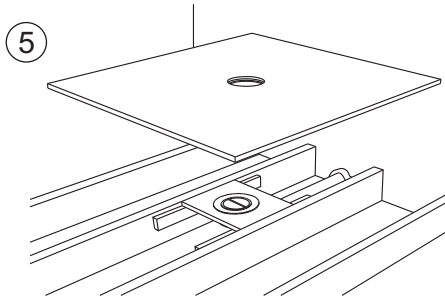
2  
 Place the tray into the corner. Scribe and cut to shape if necessary.



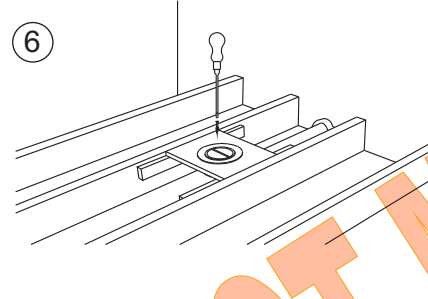
3  
 With the tray on the floor mark its position with a pencil. Move tray aside. Then remove the floor boards back to the nearest joists.



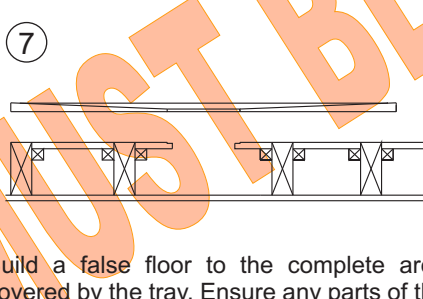
4  
 Place the supplied, piece of plywood (waste support with the circular rebated edge to the top), over the position of the waste outlet. Cut to fit between the joists. Support on 2no. 50mm x 25mm battens screwed to the sides of the joists. Ensure the waste support is level with the top of the joists.



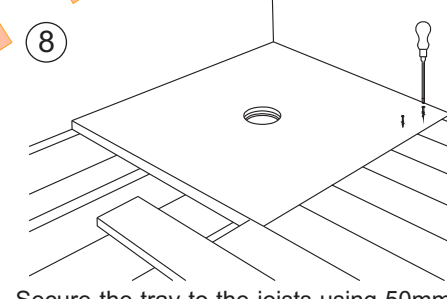
5  
 Place the tray into position and line up the waste support as necessary.



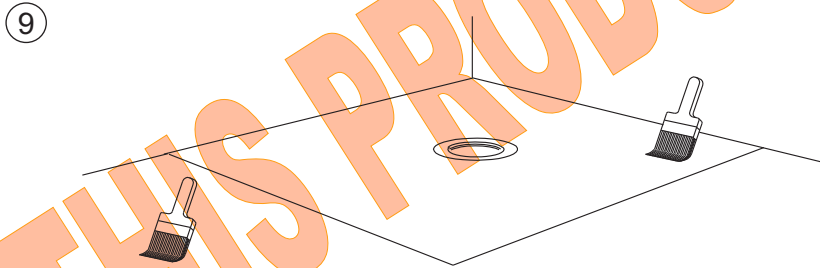
6  
 Carefully remove the tray and secure the waste support to the 25x50 battens using 50mm x No.8 countersunk screws. Install the trap as per the manufacturer's instructions.



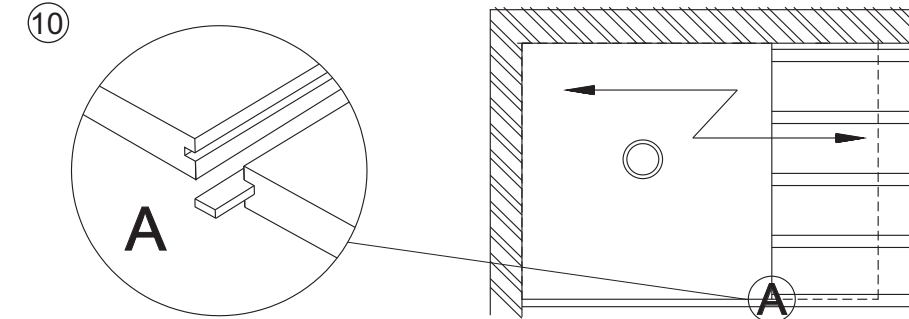
7  
 Build a false floor to the complete area covered by the tray. Ensure any parts of the tray overhanging a joist (above right), are supported by false floor, noggins or trimmers. Ensure whole of the floor and tray are level.



8  
 Secure the tray to the joists using 50mm x No.8 countersunk screws at 225mm centres. Remove rest of floor boards and replace with 24mm WPB plywood. Secure with 60 mm x No.10 countersunk screws at 300mm centres



9  
 Tank the complete area, including the tray with an On The Level Tanking System in accordance with the manufacturer's instructions. When tiling always use a flexible adhesive and grout.

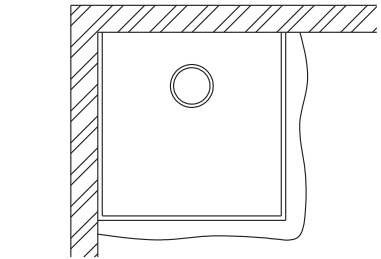


10  
 Larger formers come in 2 parts with a double groove and tongue joint (as in drawing circled A). Using a PVA adhesive, push and glue the two pieces together. Support in the same way as instruction number 7. Screw each side of the join into sub floor.

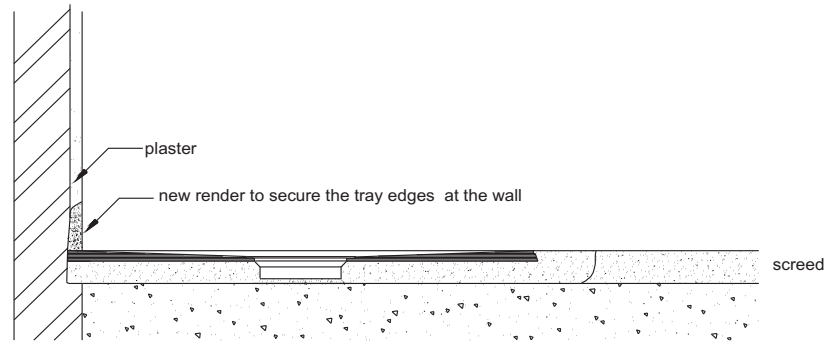
# Installation instructions for Wet room Formers in a Screeded Floor

## SCREEDED FLOOR

Installation: WITH Damp Proof Membrane



Hack up the floor screed to suit the tray size.  
Cut off the exposed edges at 45 degrees



The tray assembly can then be bedded down on a mortar bed, ensuring the waste is fully supported. Screed up to the tray at the external edges. Where the tray is against the wall, make good the wall and plaster down to the tray to hold in position.

## Installation instructions for Tanking Sleeve / Matt / Gauze into Mcalpine TSG50BB Shower Trap

