

LAG

*passion for
"movement"*



P300 • P Series wheel 300mm diameter

- Strengths**
- Wheel with greater diameter easily overcomes obstacles
 - Very low rolling and turning resistance
 - Excellent rolling on smooth industrial floors
 - High abrasion resistance
 - Easy to clean
 - Hygienic
 - Non marking: does not leave marks on the industrial floors

Market Applications



Food industry
Slaughterhouses



Chemical and
Pharmaceutical industry



Nautical industry or
Coastal environments

P300 • P Series wheel 300mm diameter

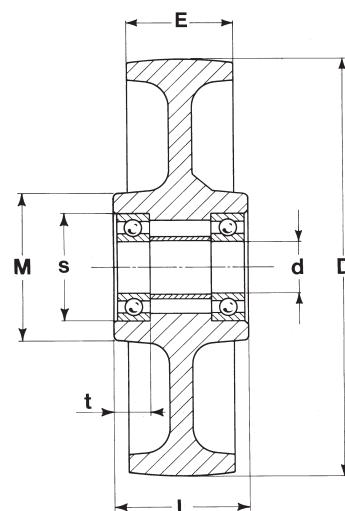
Description

Polyamide wheel 300mm diameter, available with **shielded standard ball bearings** or **sealed stainless steel (2RS) ball bearings**.

To order with ball bearings add 'CC' to Art.N. To order without bearings add 'SC' to Art.N.

Technical details

Art. No.	STANDARD Bearing	4010/20	4010
	INOX Bearing	4010x20	4010x
Diameter (D)	300mm		
Tread width (E)	55		
Hub width (L)	60		
Bearing seat (s x t)	52 x 17		
Bore diameter (d)	20mm	25mm	
Distance between outer faces of bearings (V)	56		
Hub diameter (M)	80		
Load capacity in kg	1200		



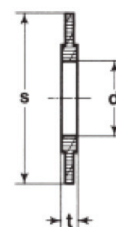
Accessories

Outer spacers and dust protection rings

Used in pairs, one or more at each side of the wheel, will keep it centred on the steel or stainless steel bush. Material is resistant to wet environments.



Art. No.	010	012	014	016
d	20	25	25	25
S	46	46	46	52
t	4	5	7.5	3



Semi-Bushes

Used in pairs replace normal reduction bush and outer spacers. Made from Polyamide are ideal both in normal or wet environments.

Suitable for wheel fitted with 20mm ball bearings (item 4010/20CC or 4010x20CC), they widen the hub width from 56 mm to 64 or 74 mm.

Do not overtighten the axle bolt. Not suitable for wheels with a hard tread and loads over 1400 kg.



Art. No.	P2509	P2500
D	20	20
d	14	14
S	46	46
t	4	9



LAG S.p.A.

Via del Lavoro, 17 • Z.I. La Graziosa
41018 San Cesario sul Panaro (MO)
Italy • tel. +39 059 585425
sales@lagspa.it • www.lagspa.it

passion for movement

