

 Only from Hörmann



New at the 2011 BAU Exhibition

Hörmann innovations for strong partners



Hörmann BiSecur radio system Secure – Convenient – Exclusive



Without BiSecur

**You no longer have to go out
in all kinds of weather to check
that the garage door is closed.**

Bi-directional radio system for garage door and entrance gate operators



Additional safety certified by the Ruhr University Bochum

- Hörmann-developed in cooperation with cryptology experts at the Ruhr University Bochum (RUB)
- 128-bit encryption with the same high security level as in online banking
- Interference-resistant radio signal with a stable range
- Backwards compatible with earlier versions



More convenient: HS 5 BS hand transmitter with status query

1 Multicolor LED

Shows the status of the door and radio transmission.

Blue = transmitting,
red = door open,
green = door closed,
orange = status query

2 Status button

To query the door position, simply press the status button and then the function button – the LED will indicate if the door is open or closed. To close the door, press the function button again; the LED will be illuminated in green as soon as the door is closed.

3 4 function buttons

To operate 4 door functions. Garage door and entrance gate operators with a radio frequency of 868 MHz* can still be operated. Simply transfer the functions from the appropriate hand transmitter.



HS 5 BS hand transmitter

Find out more about our new BiSecur operators and accessories on the following pages.

* Without status query

Garage door and entrance gate operators

The new, secure and convenient BiSecur radio system



HS 5 BS hand transmitter
4 button functions
plus status query

HS 5 BS hand transmitter
4 button functions
plus status query

HSE 2 BS hand transmitter
2 button functions
incl. key ring

HSE 2 BS hand transmitter
2 button functions
incl. key ring

BiSecur control elements

Exclusive hand transmitter design

With black or white* glossy surface in a piano lacquer look.

Backwards compatible to the radio frequency 868 MHz

All Hörmann operators with a radio frequency of 868 MHz can still be used with the new BiSecur control elements.

Longer battery life

under normal conditions, with common AAA batteries.**

Future-oriented technology

For an intelligent home.

For convenient operation of:
garage doors, entrance gates, lights and more.



HS 4 BS hand transmitter
4 button functions

HS 1 BS hand transmitter
1 button function



FCT 3 BS radio code switch
With illuminated buttons,
3 function codes



FCT 10 BS radio code switch
With illuminated buttons
and protective cover,
10 function codes



FFL 12 BS radio finger-scan
3 function codes
and up to 12 fingerprints

Garage door and entrance gate operators

With the BiSecur bi-directional radio system



SupraMatic garage door operator series 3 with BiSecur radio system

Standard: 5-button HS 5 BS hand transmitter

Featuring status query and closing function with feedback once the door is closed.

Low power consumption in standby mode

Less than 1 watt in standby mode, resulting in a 90% reduction in power consumption.

Very simple and quick initial start-up

Just select the door type and start an automatic learning run. Easy registration of a hand transmitter within the first 20 seconds.

Easy-to-use programming

Clear and easy programming with a double 7-segment display.



SupraMatic series 3 with standard HS 5 BS hand transmitter in black

Further Hörmann BiSecur operators

As standard with an HSE 2 BS hand transmitter in black (ProMatic) or HS 4 BS hand transmitter (RotaMatic, LineaMatic)



HSE 2 BS hand transmitter



HS 4 BS hand transmitter



ProMatic garage door operator



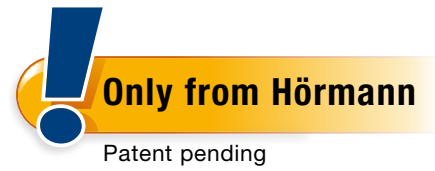
RotaMatic hinged gate operator



LineaMatic sliding gate operator

Sectional garage doors

With a thermal break frame connection

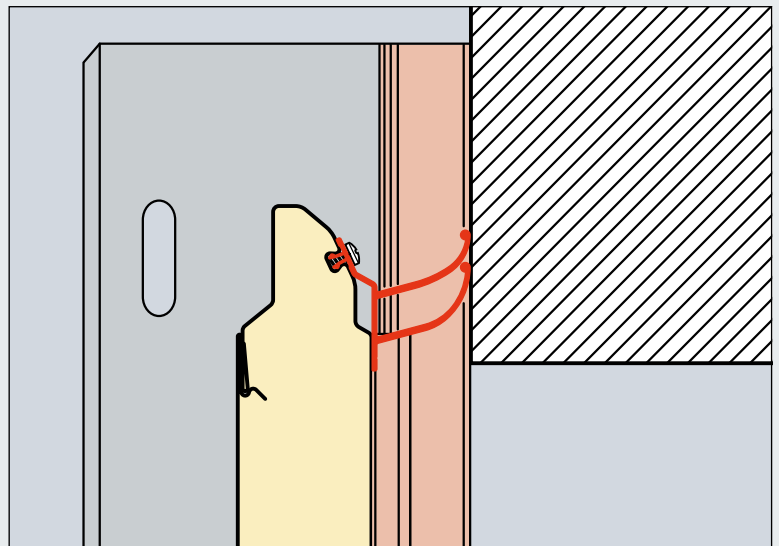
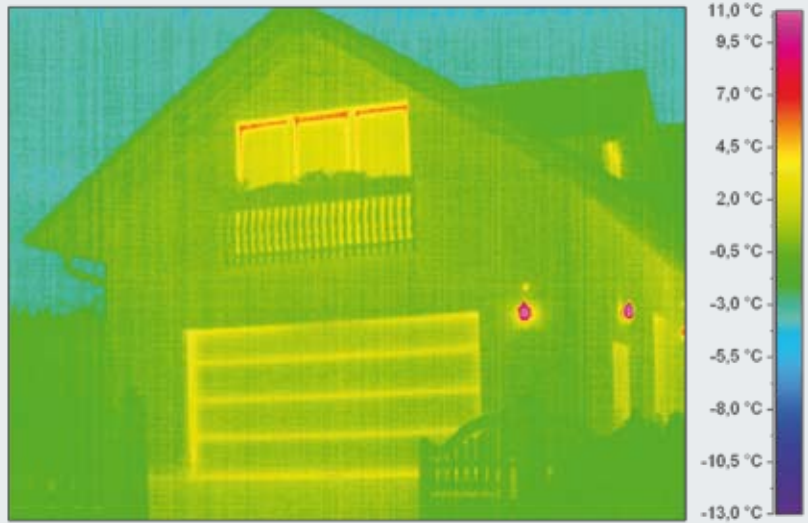


ThermoFrame

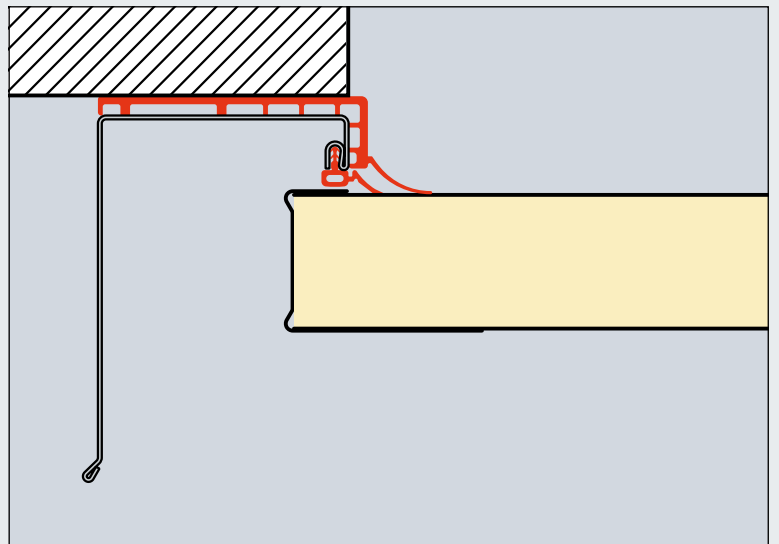
Optional for all sectional garage doors

- Thermal break between the frame and brickwork
- Additional seals for improved tightness
- Easy to fit along with the door frame

Up to **12.5%*** better thermal insulation



Lintel fitting



Sideroom sealing

* For an LPU sectional garage door, 2 m x 2 m

Sectional garage doors

Flush-fitting fascia panel and new fast-track programme

Flush-fitting fascia panels

For an invisible transition between the panel and door leaf

- Double-skinned, PU-foamed
- Available with S, M and L-ribbing
- With Woodgrain, Silkgrain, Micrograin and Decograin surface
- In 15 preferred colours and RAL to choose



Garage door fast-track programme

For orders received from 01.04.2011

Sectional garage doors, M-ribbed and S-panelled

- Delivery time of 15 business days for almost all versions and surfaces in standard and special sizes
- 20 business days for 9 preferred colours or with wicket door

Up-and-over garage doors style 902

- Delivery time of 15 business days for all standard and special sizes in Traffic white RAL 9016

RollMatic roller garage door

- Delivery time of 15 business days for all special sizes, colours, surfaces and versions

Jetzt aber zack-zack!

Sie faxen, wir liefern!

Das Hörmann Sofort-Programm Garagentore

Lieferzeit max.*
15 Werkzeuge
ab Auftragsingang
01.04.2011

Garagen-Sectionaltore
Berry-Schwingtore
Garagen-Rolltor RollMatic



LPU, M-ribbed, Micrograin



LPU, S-pannelled, with wicket door



LTH, M-ribbed, Nordic Pine

Sectional garage doors

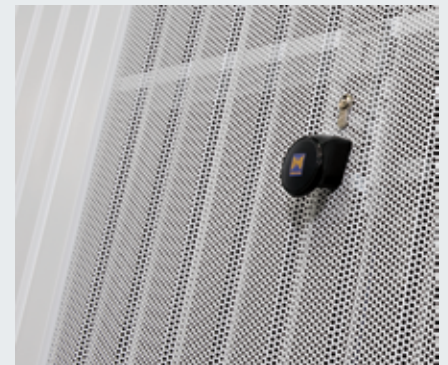
- LPU M-ribbing with Micrograin surface finish
- LPU, S-pannelled, with wicket door
- LTH solid timber door, M-ribbed
- The M, L and C-pannelled versions and associated glazings have been discontinued

N80 up-and-over garage doors

- Addition of style 913 with a micro perforated centre sheet, especially for underground garages



N80 style 913



Collective garage doors

- New ST 500 sliding door
- Concealed hinges for wicket doors: As standard on the ST 500, optional on the ET 500

More information can be found in the new brochure.



ST 500 collective garage sliding door

Side sectional doors

With an optimally matched operator system



HST side sectional doors

Smooth, quiet door travel and precise door guiding

With twin rollers and floor rail

Good thermal insulation

Thanks to 42-mm-thick Hörmann sectional door sections

Safe operation

With Hörmann finger trap protection

3 style variants

M-ribbed, L-ribbed and S-panelled

4 surfaces

Woodgrain, Silkgrain, Micrograin and Decograin Golden Oak

Optimally matched operators

SupraMatic or ProMatic, with BiSecur of course!

Size range

2000 - 6500 mm wide

1875 - 3000 mm high (ribbed)

2000 - 3000 mm high (panelled)

RollMatic roller garage door

Also as an external roller garage door



RollMatic as an external roller garage door

- Complete incl. operator
- Barrel cladding and frame completely in the colour of the door
- Tension spring cladding made of aluminium with vision sections
- Barrel cladding to cover the operator is only 100-mm-wide, either on the left or right

Side doors for RollMatic

- With corner frame and slim door leaf frame, same design as the side doors for up-and-over garage doors



Aluminium entrance doors

More colour, more possibilities



12 new, 2-coloured door styles with colour embellishments

Available in the Vario programme

3 new, exclusive door designs with colour embellishments in glass

Available in the fast-track programme

Exclusive door handle made of glass

New Caro 70 frame profile

Door opening aid with the H5-Comfort R lock

As an impulse variant, e.g. with finger-scan, or in a push-and-go variant with H5.



GG 880 door handle



Caro 70 frame profile

More information can be found in the new brochure.



ThermoPro entrance doors

More light, more styles



Side elements and transom lights

For a brighter entrance



More information can be found in the new brochure.



Door styles with a ribbed design

To match sectional garage doors



TPS 015



TPS 025

Steel doors

Stable and insulated



MZ Thermo multi-purpose doors

Stable construction with high thermal insulation

- 46-mm-thick door leaf with thermal break and PU rigid foam infill
- Aluminium block frame with thermal break and threshold with thermal break
- Double all-round seals
- High thermal insulation with a U-value of up to 1.2 W/m²K
- Single locking, with a plastic lever handle
- As standard in Traffic white RAL 9016
- Optionally available in a WK 2 version

Up to 30%* better thermal insulation

T30

WK2

WAT fire-rated security door

- T30 fire-retarding and WK 2 break-in-resistant
- Thick rebate with inlay bonded over the entire surface
- 3-way adjustable hinges
- Multiple-point locking with security lever/knob handle set DIN 18257 class ES1 and 3 steel bolts to prevent forced opening
- As standard in Traffic white RAL 9016
- Optionally in RAL to choose and a design surface** such as Beech, Golden Oak, Rosewood, etc.



* In comparison with a common multi-purpose door

** Only door leaf – frame in a matching RAL colour

Multi-function doors

Sustainable production for trend-setting construction



| | | | |
|---|--|--|--|
| | | | |
| EPD Multi-function doors Environmental Product Declaration according to ISO 14025 and prEN 15804 | | | |
| Multi-function doors (company EPD) Hörmann KG Freisen | | | |
| | | | |
| | | | |
| Declaration number EPD-MT-0.1 November 2010 | | | |

breeam



Institut Bauen
und Umwelt e.V.



Lasting, tested and certified

As the only manufacturer of fire-rated and smoke-tight doors, security doors and multi-purpose doors:

Environmental Product Declaration EPD

acc. to ISO 14025, certified by the IFT Rosenheim

Tested in accordance with the product category rules

PCR for doors and hinged doors, ift Rosenheim GmbH, issue PCR-TT-0.1

Confirmed life cycle assessment

acc. to DIN ISO 14040/14044



Multi-function doors

As standard with an exclusive slide rail door closer



T30

Exclusive HDC 35 slide rail door closer

T60

T90

RS

- For all single-leaf multi-function doors with factory-fitted door closers
- As standard without surcharge
- Also available on request for double-leaf doors
- Also available for reinforced internal doors, STS/STU fire-rated doors and smoke-tight doors, as well as for fully glazed tubular frame parts

Multi-function doors

Flush-fitting glazing



T30

Flush-fitting glazing

RS

For T30/RS fire-rated and smoke-tight H3 doors

Multi-function doors

High-acoustic-rating up to 61 dB

61 dB



T30

T30 steel fire-rated doors as external doors

- Insulated with a U-value of 1.9 W/m²K

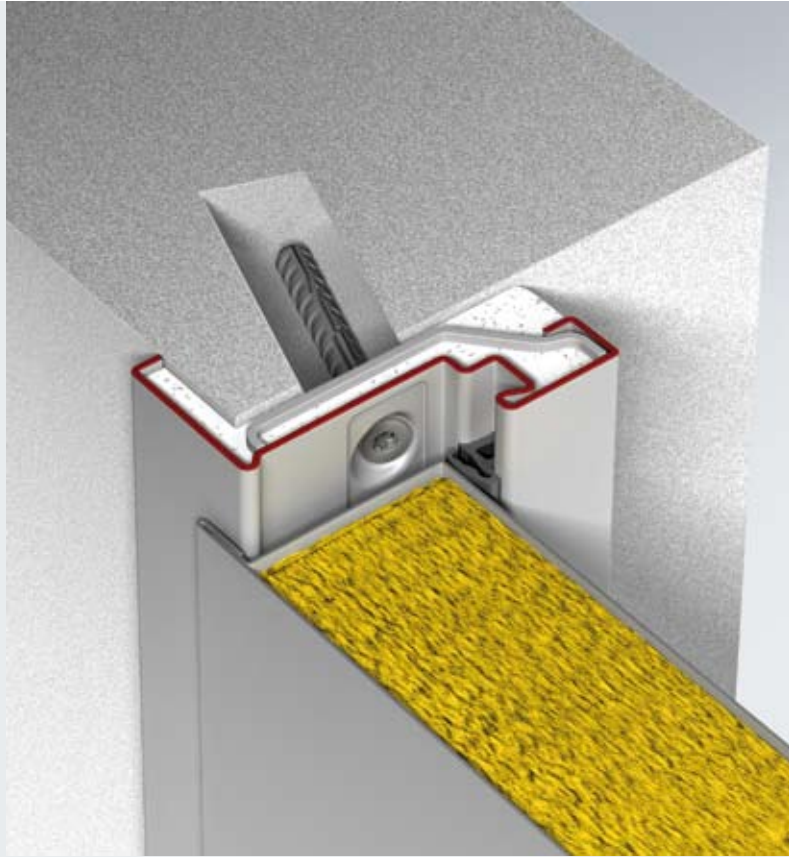
dB

HS75 and H16S acoustic-rated doors

- High-acoustic-rating version
- Acoustic value of up to 61 dB

Frame system for multi-function doors

Flexible, versatile and quickly fitted



T30*

Corner frame with diagonal fixing

Easy and quick fitting

RS

WK

MZ

- Align frame
- Drill fastening holes
- Insert plugs and screws
- Screw down the frame and you're finished
- Mortar, if needed
- Finished!

T30

Advance delivery of the frame

T60

T90

RS

dB

WK

MZ

- For all multi-function doors with 3-way adjustable hinges
- Flexible fitting and more planning freedom during installation
- The frames, as well as the 3-way adjustable hinges, can already be fitted during construction
- The door leaf is fitted after construction, helping to avoid damage and soiling

* Only H3

Fully-glazed tubular frame parts

Now available as an external door



T30

T30 external fire-rated door made of aluminium

- Insulated with a U-value of 2.2 W/m²K
- Threshold with thermal break
- Available with a HÖ 810 bar with straight support bracket or HÖ 75-2 bar with angled support bracket

T30

HDC 35 slide rail door closer

T90

Optionally available for steel and aluminium T30/T90/RS fire-rated and smoke-tight door sets

RS



Only from Hörmann



T30
Concealed hinges and electro duct

RS
For aluminium T30/RS fire-rated and smoke-tight doors

T30
T30 automatic sliding door

RS
For use in escape and rescue routes

Industrial rolling shutters

With innovative tension spring assembly



SB industrial rolling shutter

The latest, inexpensive rolling shutter from Hörmann with a tension spring assembly that is gentle on the door and operator

WA 300 R operator with integrated control

Without additional sideroom requirement, ready-to-fit, easy to extend (see page 25)

Standard soft start and soft stop

For gentle and quiet door travel

Easy operation as a manual rolling shutter

Via a hand chain

Compact aluminium side guides

For fast and easy fitting, with integrated plastic slide strips and brush seals

Size range

Width up to 5,000 mm, height up to 4,500 mm

Low space requirement

Only 160 mm sideroom



DTH-T industrial button

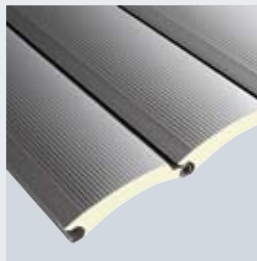


Manual operation via a hand chain



Tension spring assembly and aluminium side guides with internal plastic runners and brush seals

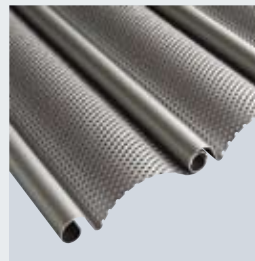
Door curtain variants



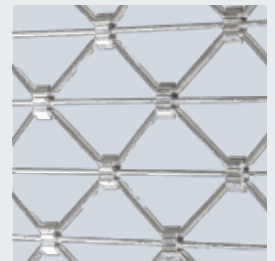
Decothem S
Decothem A



HR 120 A



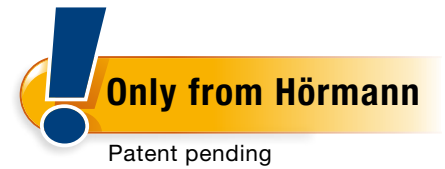
HR 120 aero



HG-L

Industrial sectional doors

With a thermal break frame connection

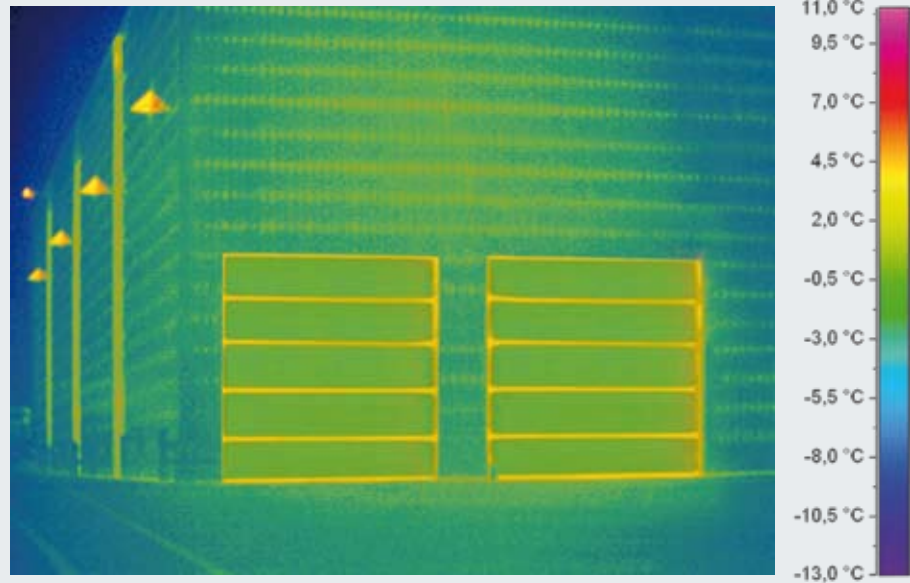


ThermoFrame

Optionally available for all industrial sectional doors

- Thermal break between the frame and brickwork
- Additional seals for improved tightness
- Easy to fit along with the door frame

Up to **20%*** better thermal insulation



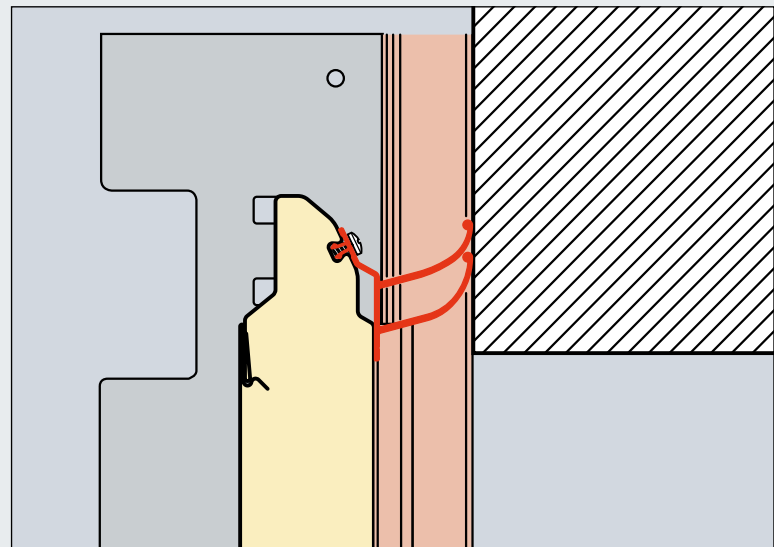
DPU industrial sectional door

With the highest level of thermal insulation

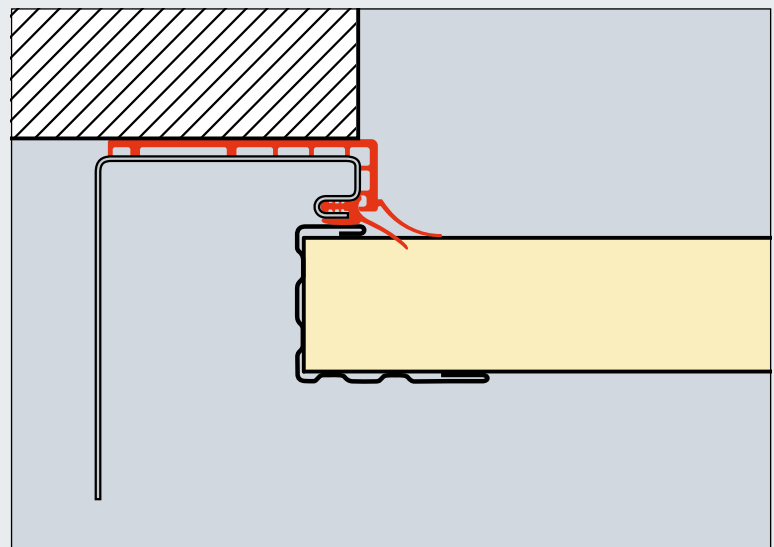
- New UPVC locating profile
- New UPVC lintel profile with double lip
- With ThermoFrame frame connection

Up to **40%**** better thermal insulation

With a top U_d -value of $0.64 \text{ W/m}^2\text{K}$ for a DPU door, $3 \times 3 \text{ m}$



Lintel



Sideroom

* With SPU industrial sectional door, $2 \times 2 \text{ m}$

** With DPU industrial sectional door, $2 \times 2 \text{ m}$

Industrial sectional doors

New operator solution with standard soft start and soft stop



WA 300 industrial door operator

Standard soft start and soft stop

For gentle and quiet door travel

Minimum fitting effort

No closing edge safety device or cable slack switch required. As a result, there is no need for wiring on the door leaf.

Perfectly matched

Thanks to 4 track versions



Diagonal fitting variant

With integrated control as standard

- No additional fitting effort, easy to extend
- Control button and maintenance release directly on the operator
- Programming via DIP switches
- Optional "Open-Close-Stop" push button can be installed
- Power limit in "Open/Close" directions
- Extendable with an external radio receiver
- 1 relay output to connect e.g. warning lights or locking for a dock leveller
- Optional quick release for emergency operation

Optional external control in a semi-housing or full housing

- Programming with a double 7-segment display
- Integrated "Open/Stop/Close" operation
- Power limit in "Open/Close" directions
- Extendable with an external radio receiver
- 1 relay output to connect e.g. warning lights
- 1 slot for a function circuit board (semi-housing)
- 2 slots for function circuit boards (full housing)
- Optional quick release for emergency operation



Vertical fitting variant



DTH-T industrial button

From summer 2011

Spiral high-speed door

Exclusive design with the best thermal insulation



HS 7030 PU spiral door

Speed with a top design

Exclusive Micrograin surface

As standard in White aluminium RAL 9006

Double-skinned, PU-foamed sections

With a U_d -value of $1.95 \text{ W/m}^2\text{K}$
(for 25 m^2 door surface)

Non-contact automatic safety cut-out

Via a standard safety light grille

DURATEC glazing

For maximum scratch resistance

Easy to fit and service

Thanks to a standard light grille and no additional installations on the door, such as a closing edge safety device



External view
with Micrograin surface



External view
with DURATEC glazing

Flexible high-speed doors

Particularly easy to fit and maintain as standard



Standard light grille

For all flexible high-speed doors*

Maximum safety for the closing zone

Thanks to complete monitoring up to 2500 mm height

Non-contact automatic safety cut-out

For additional safety

Concealed in the door guide

No risk of damage as a result

Easy to fit and maintain

No installations on the door,
such as a closing edge safety device

Radio-controlled anti-crash system

With SoftEdge doors

* Except for special doors

New loading technology products

Loading platforms, dock shelters and Dock Control



Hörmann Dock Control

- Safe docking
- Secure loading with controlled processes
- Safety risk warning

New HRS and HRT loading platforms

- Optimum combination of a dock leveller and pedestal
- Energy-efficient: Fitting the platform in front of the hall prevents thermal bridges
- Ideal substructure for a loading house

New mechanical dock levellers

- To bridge small differences in height
- For fitting in the hall floor or fitting in front of the hall
- Simple operation

New DSL-H flap dock shelter

- Lifiable front frame
- Prevents damage caused by vertical vehicle movement
- Ideal for vehicles and interchangeable containers with a high docking level

New LED docklight

- Less energy consumption
- Much longer service life
- Good illumination of the vehicle



More information can be found
in the new loading technology products flyer