

// Available with three surfaces
and a smoke-tight wicket door without threshold rail



Telescope/Sliding Fire Doors

T30, T90, smoke protection, single and double-leaf







Brand quality from Hörmann	4
Overview of advantages	6
Equipment options	8
Sliding door FST 1, single-leaf	10
Sliding door FST 2, double-leaf	11
Telescope sliding door FST T	12
Sliding door with wicket door	13
Special equipment	14
Fitting data	15

The specifiers forum and further information on Hörmann products can be found at www.hormann.co.uk.

Copyright: No part or excerpt may be reproduced without our permission. Subject to changes. Some of the doors shown are special versions and may require approval in individual cases.

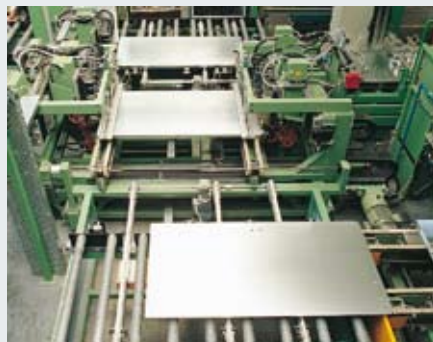
Our high standards ensure you high security from the development stage through production and quality assurance up to the professional fitting.



Hörmann products at the DLV (German Athletics Federation) headquarters in Hamburg



The innovations and individual solutions of our in-house product development create new standards that become tomorrow's norms.



Hörmann operates highly specialized plants with the latest cutting-edge technology, creating uncompromised quality.



The function and manufacturing quality of Hörmann construction components are verified through regular random inspections.

Brand-name quality for top safety and reliability



In-house product development

Growing and constantly changing functional and safety requirements necessitate continuous new construction and equipment developments and improvements, especially when it comes to moveable construction components such as doors. In this area, our qualified development teams time and again prove their great specialised expertise. Based on this expertise stemming from many years of experience, Hörmann continuously expanded its fire protection product range until it evolved into today's comprehensive offer.

Most sophisticated production methods

Hörmann applies the latest production technology at its highly specialised plants. Computer-controlled operations ensure dimensionally accurate elements with perfectly fitted fittings and functional parts. This is the prerequisite for optimised individual on-site solutions.

Preliminary tests at our in-house fire test room

Our new and further developments are constantly tested for the required fire resistance through in-house fire tests at our fire testing centre. The outcomes of these tests ensure high fire protection for buildings. They also allow us to optimally prepare our innovations for the official inspections by the accredited testing centres for official approvals.

Expert building support

Experienced specialists of our customer-oriented sales organisation support you from the planning stage, through technical clarification up to the final building inspection.

Expert fitting is guaranteed by experienced Hörmann fitters and the specialised trained staff of Hörmann's partners.



The new and further developments are thoroughly tested at in-house fire tests, which is the best prerequisite for quick certification and official approval.



In-house and visiting instructors convey the latest technological developments via seminars held at the in-house fire testing centre and Hörmann sales offices.



You can rely on the expertise of our experienced specialist advisers right from the beginning of the planning stage to the final building inspection.

T30/T90 Fire/smoke-tight sliding door

Advantages at a glance

Fire and smoke-tight sliding doors by Hörmann are available as single and double-leaf versions or as single-leaf telescope sliding doors. Smoke-tight sliding doors additionally feature 4-sided all-round seals.

Door leaf

- ❶ **Element-style door leaf for easy transport and fitting**
- ❷ **Modern look due to the V groove at the element joint without a visible screw connection**
 - High stability through an interlocked, toothed labyrinth plug-in profile
 - Fast fitting without screws and additional connection rails
 - Thermal insulation strips at the element joint are unnecessary due to the tight, all-around seal

Track

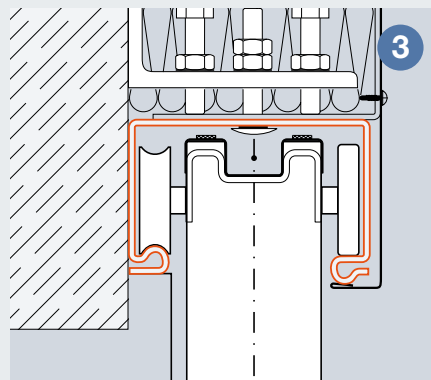
- ❸ **Precise door leaf guide through asymmetrical track geometry**
 - Secure guide roller and cylindrical track roller for optimal force balance
 - Smooth travel and easy handling thanks to suspension with ball bearing rollers
 - For fitting directly to the ceiling: at least 120 mm headroom, for fitting to the wall: at least 240 mm headroom
 - Recess flaps for an attractive look when the door is open
- ❹ **Simple, exact fitting thanks to a stable bolt plug-in connection to ensure precise track alignment at the joints**
- ❺ **3-D adjustment enables variable fitting options: with wall brackets, directly to the ceiling or suspended from the ceiling**

Closing weight

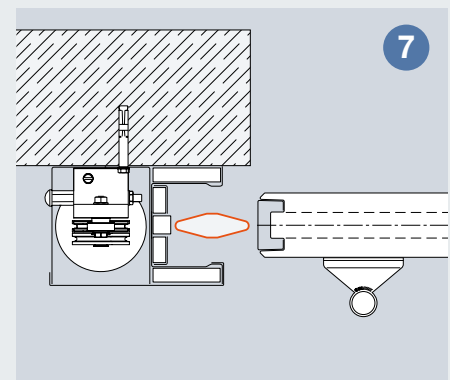
- ❻ **Cable guide within the track for an undisturbed appearance**
 - Closing weight cover can be flexibly fitted to the inlet side or in the parking area
 - Little friction resistance requires few closing weights

Inlet

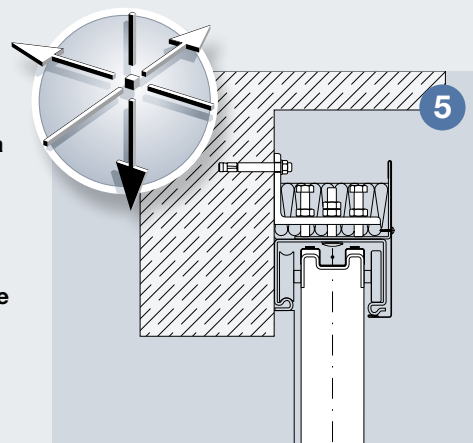
- ❼ **Inlet centring device as standard or, from a 20 m² door surface, with an inlet shoe for precise door guidance in the inlet area.**



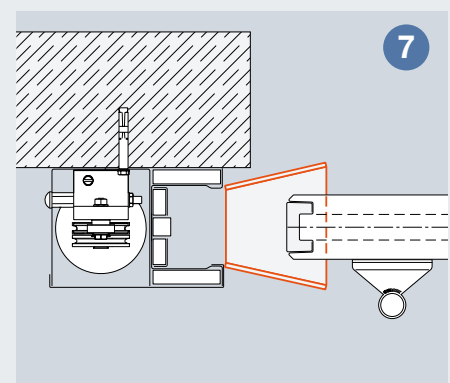
Precise door leaf guide through asymmetrical track geometry



Door guidance via a centring device fitted on the floor (for doors with up to 20 m² door leaf surface)



Simple fitting thanks to 3-D adjustment



Door guided by an inlet shoe (for doors from 20 m² door leaf surface)

Slim overall construction

With a depth of only 132 mm, minimum width for recess flaps: 140 mm up to a maximum of 260 mm (recess width: 150 mm up to a maximum of 270 mm)

Highest classification durability test

Hörmann fire/smoke-tight sliding doors are tested and certified in accordance with **EN 12605, class C5**.



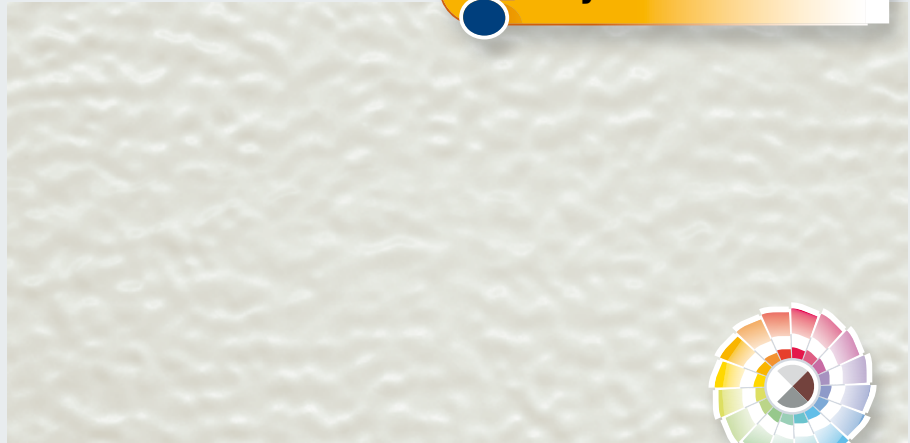
T30/T90 Fire/smoke-tight sliding door

Equipment options

Surface finishes and colours

For the door leaf you have a choice of smooth steel sheet or Pearlgrain surfaces. The track and profiles are smooth in both variations.

The sliding doors are galvanized as standard. On request, these surfaces are also available primer-coated in RAL 9002 as well as in various other colours based on RAL.

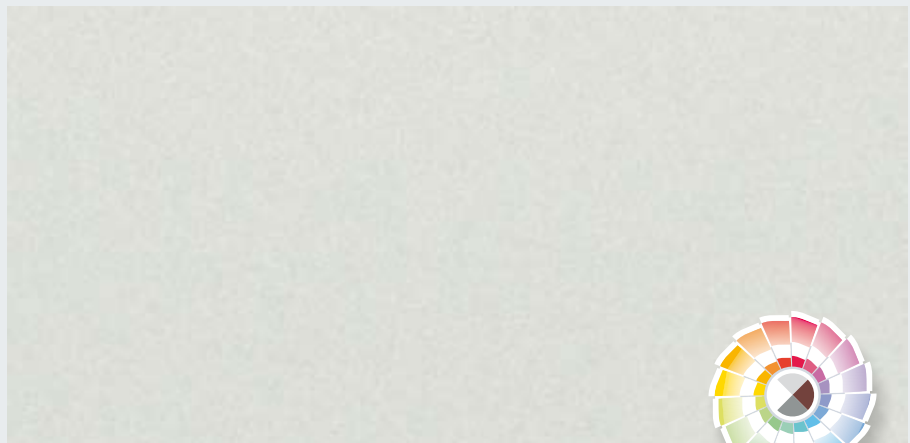


Pearlgrain

Door leaf design



- Fire protection material
- Sheet steel
- Galvanized
- Powder primer-coating (optional)



Smooth sheet steel

Stainless steel version

If a special appearance is required or for application in hygienic areas, a version with a stainless steel door leaf is also available.



Stainless steel V2A – grain size 240

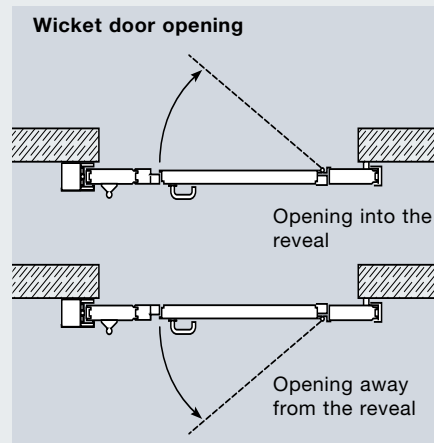
**Fire-proof glazings
on door leaf and wicket door**



**Wicket door
with trip-free threshold as standard**



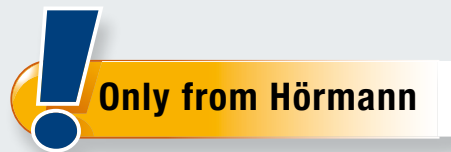
**Visual and acoustic warning signals
according to DIN 14600**



This is required if persons use the door opening as a passage and there is no door available next to the sliding door for constructional reasons.

Rectangular glazing is available for door leaf elements and the wicket door up to 500 x 1000 mm (standard 465 x 815 mm).

The flush-fitting glass holders are either galvanized, powder coated or stainless steel in line with the door surface.



Additional safety is provided by the wicket door with trip-free threshold
Hörmann is the only manufacturer with licensed trip-free wicket doors for **smoke-tight sliding doors**.

The door can be opened in either direction, depending on the source of danger. It can be variably fitted to either open into the reveal or away from it.

T30/T90 Fire/smoke-tight sliding door

FST 30-1, FST 90-1

Single-leaf

Main functions

T30 **Fire-retarding**
Min. 1000 x 2000 mm
Max. 8500 x 6000 mm

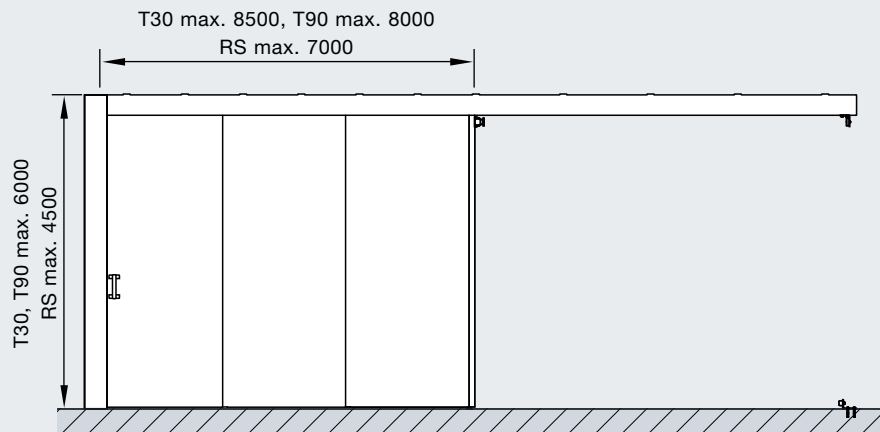
T90 **Fire-resistant**
Min. 1000 x 2000 mm
Max. 8000 x 6000 mm

RS **Smoke-tight**
Min. 1000 x 2000 mm
Max. 7000 x 4500 mm

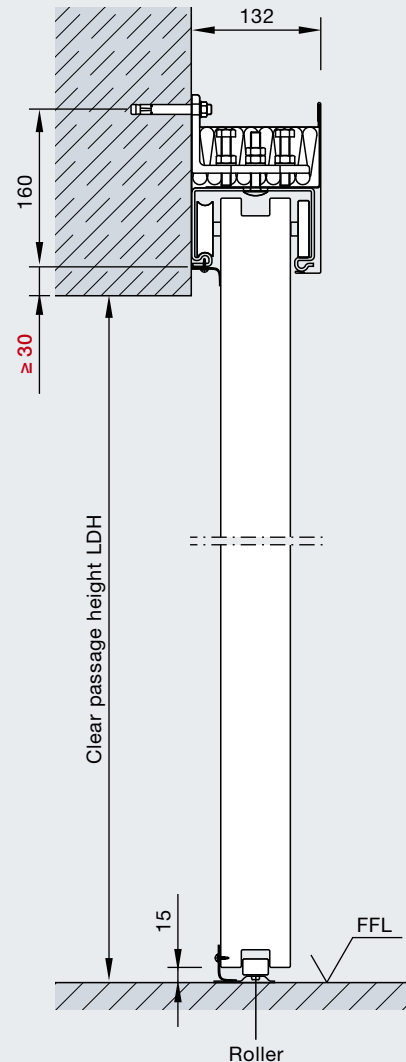


Wicket doors see page 13

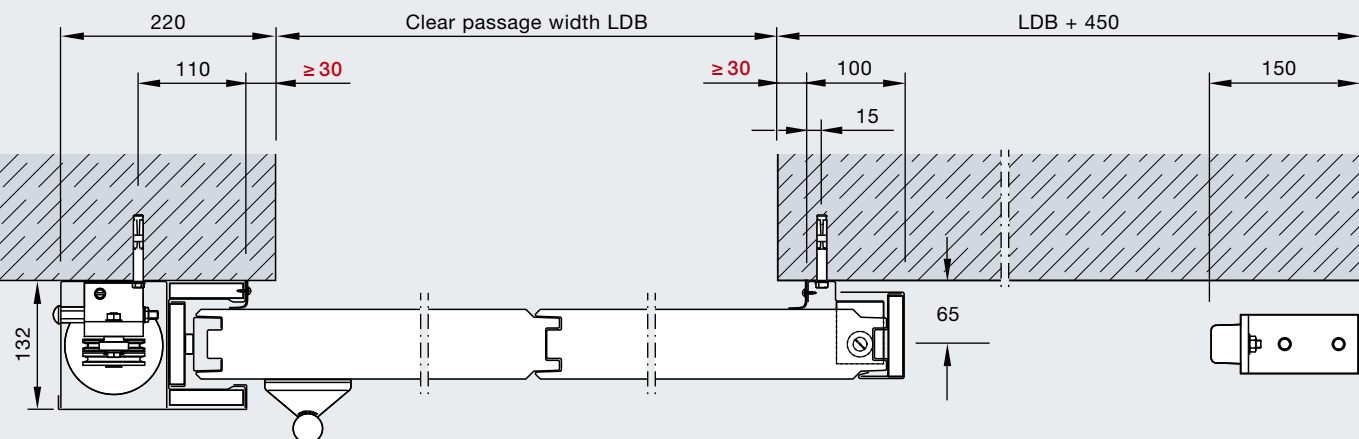
Door view



Vertical view



Horizontal view



The sectional views shown present the version with smoke protection function.

Dimensions in mm

T30/T90 Fire/smoke-tight sliding door

FST 30-2, FST 90-2

Double-leaf

Main functions

T30

Fire-retarding

Min. 2000 x 2000 mm (division left/right min. 1000 mm)
Max. 8500 x 6000 mm

T90

Fire-resistant

Min. 2000 x 2000 mm (division left/right min. 1000 mm)
Max. 8000 x 6000 mm

RS

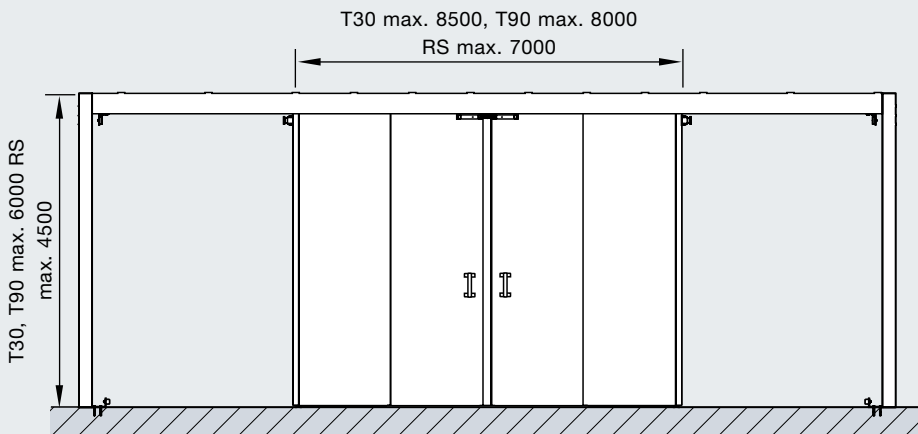
Smoke-tight

Min. 2000 x 2000 mm (division left/right min. 1000 mm)
Max. 7000 x 4500 mm

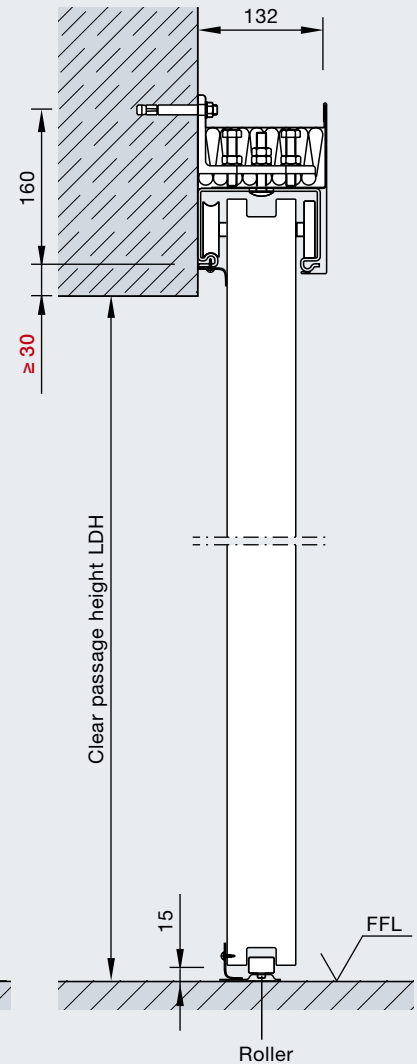


Wicket doors see page 13

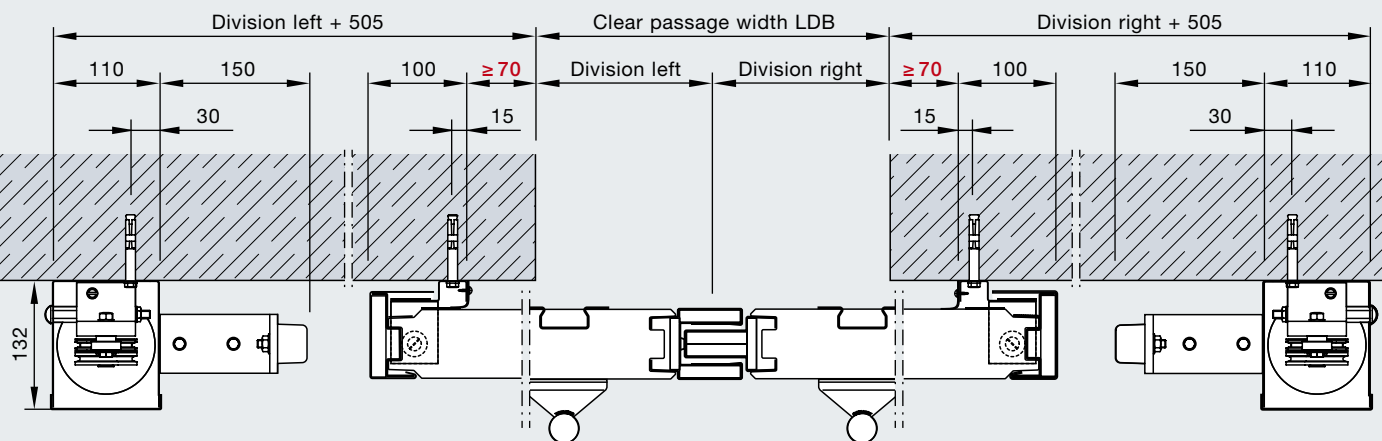
Door view



Vertical view



Horizontal view



Dimensions in mm

The sectional views shown present the version with smoke protection function.

T30, T90 telescope sliding fire doors

FST 30-1-T2, FST 90-1-T2

Single-leaf

Main functions

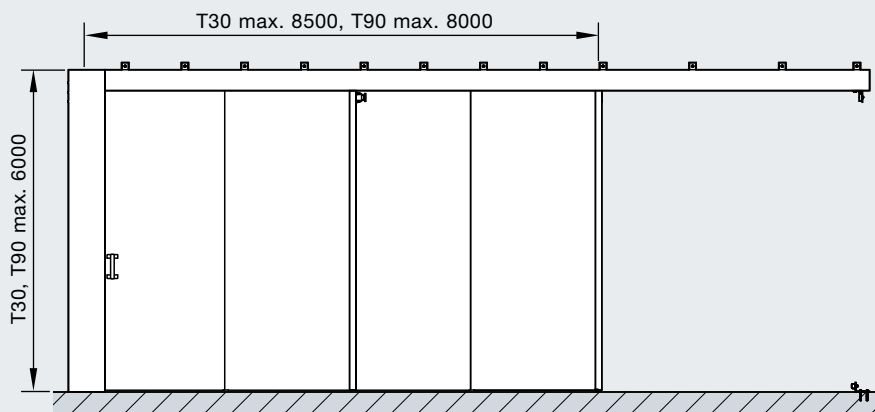
T30 **Fire-retarding**
 Min. 2000 x 2000 mm
 Max. 8500 x 6000 mm

T90 **Fire-resistant**
 Min. 2000 x 2000 mm
 Max. 8000 x 6000 mm

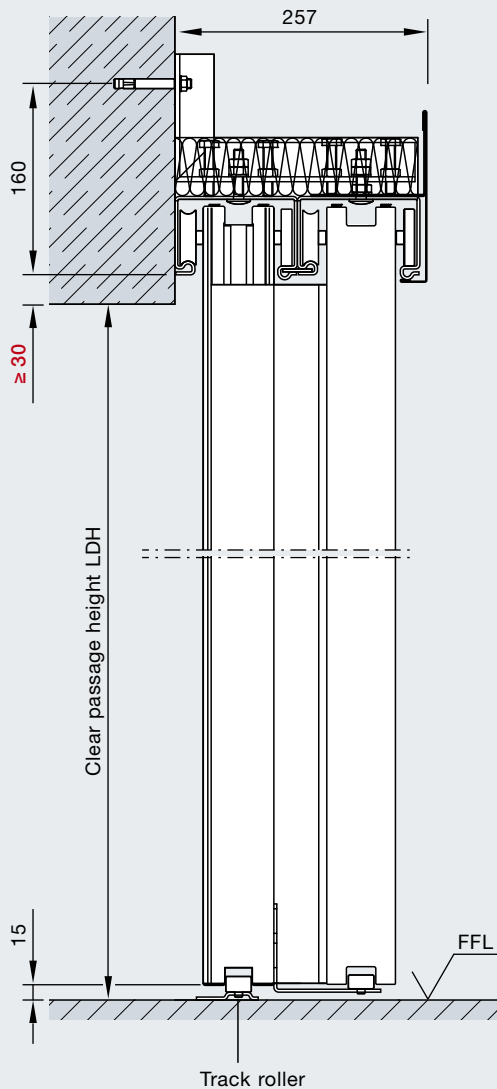


Ongoing approval process, approval possible in individual cases.

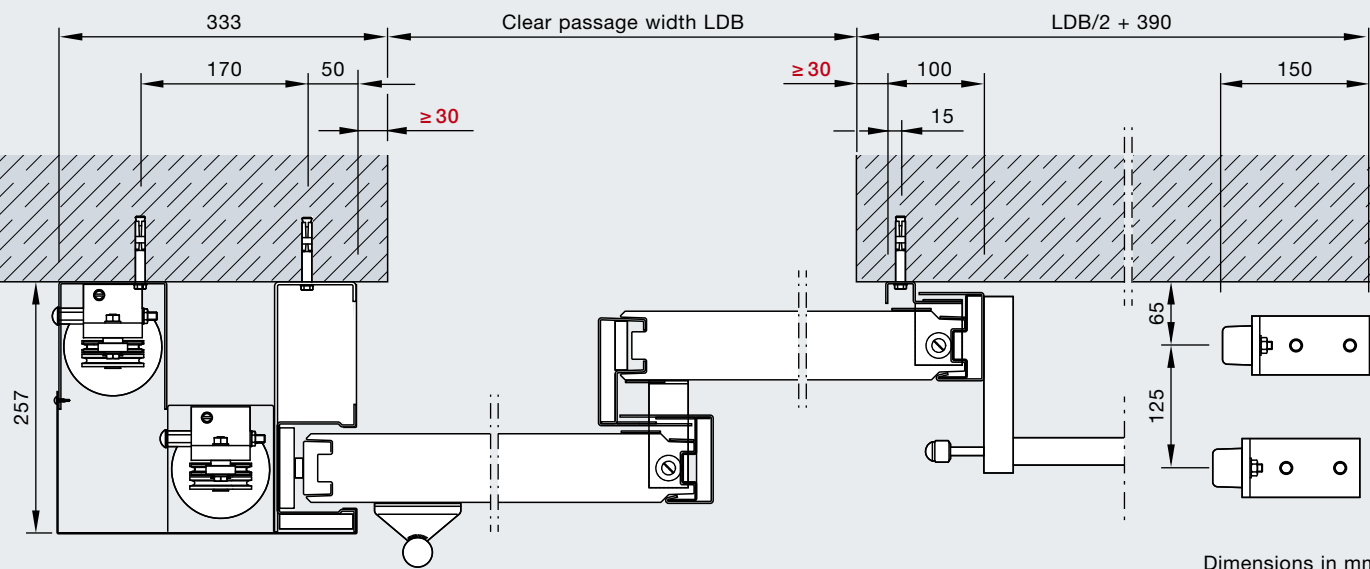
Door view



Vertical view



Horizontal view



Dimensions in mm

T30/T90 Fire/smoke-tight sliding door with wicket door

for FST 30-1, FST 30-2, FST 90-1, FST 90-2

Main functions

T30

Fire-retarding

Standard size 1000 x 2000 mm
(LDB x LDH)
Min. 625 x 1750 mm
Max. 1100 x 2000 mm

T90

Smoke-tight

Standard size 1000 x 2000 mm
(LDB x LDH)
(Door opening max. 20 m²)

RS

Fire-resistant

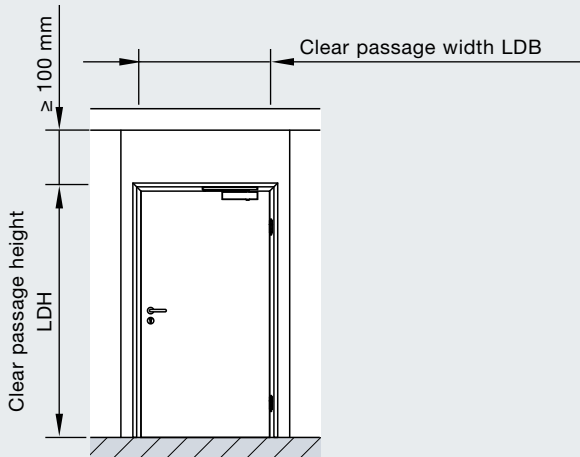
Standard size 1000 x 2000 mm
(LDB x LDH)
Min. 625 x 1750 mm
Max. 1050 x 2000 mm

Minimum door dimensions

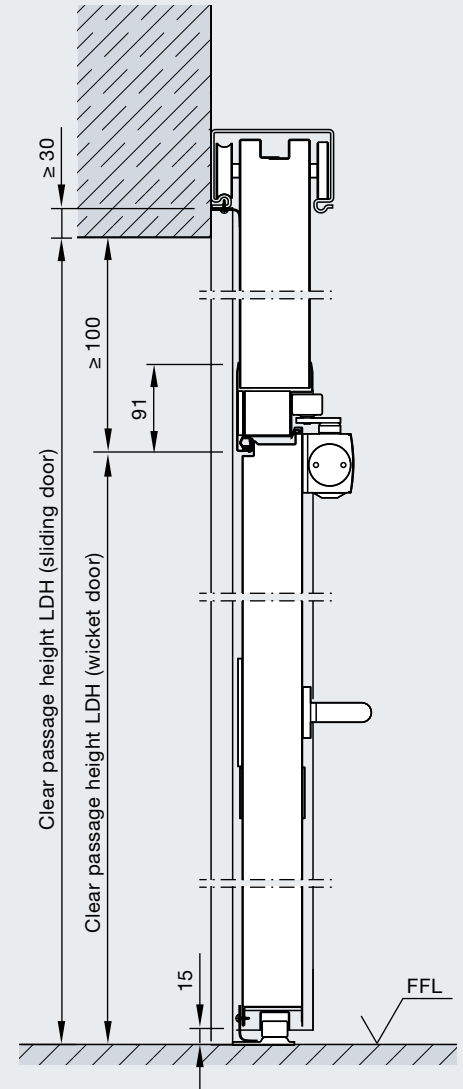
The following minimum door widths are required to apply a wicket door (1000 x 2000 mm):

Single-leaf door	1650 mm
Double-leaf door	2750 mm
Telescope door	3600 mm

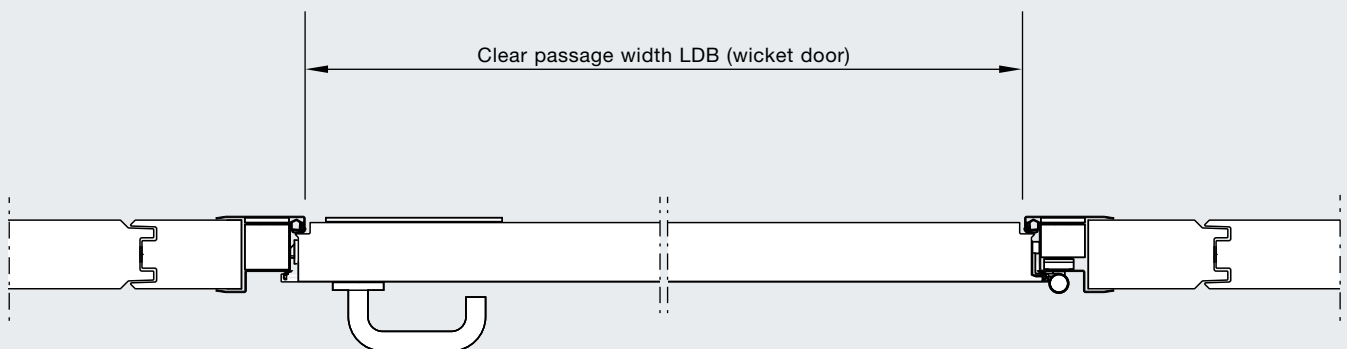
Door view



Vertical view



Horizontal view



Dimensions in mm

The sectional views shown present the version with smoke protection function.

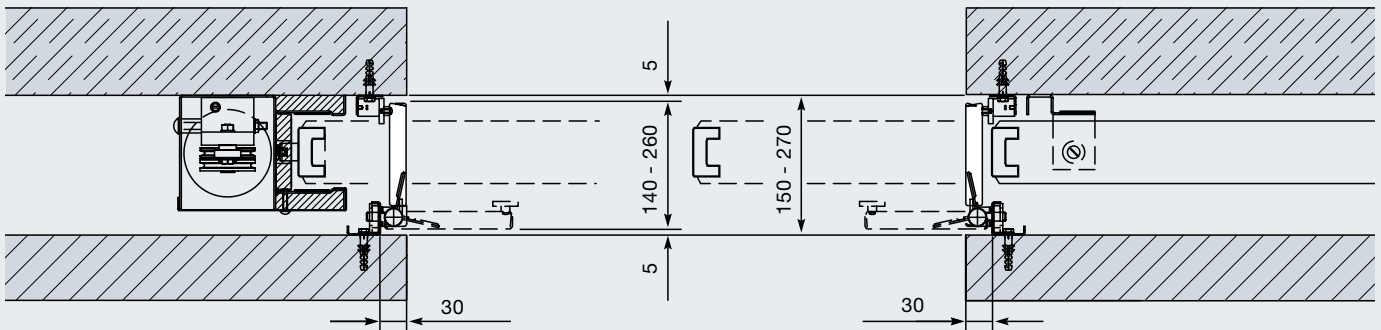
Special equipment

Recess flaps for the wall area

A vertically positioned recess flap that can be manually closed and automatically opened is used for cladding the inlet and outlet area. The minimum recess width is 150 mm.

Inlet flap

Outlet flap

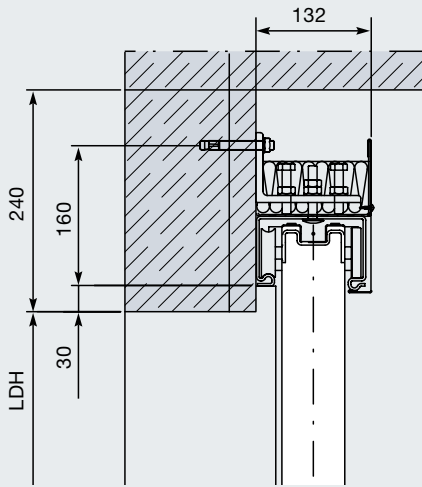


Recess flaps for the lintel area

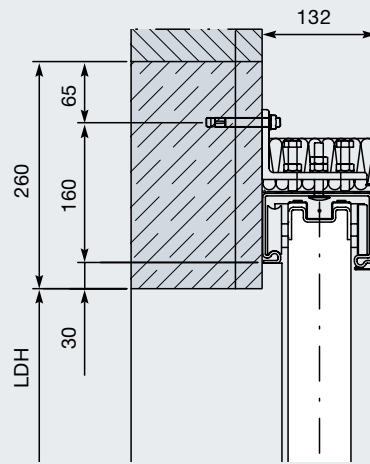
The track cladding is attached horizontally in the lintel area. The track recess flap is closed manually and the opening mechanism is automatically activated by a control.

Fitting data

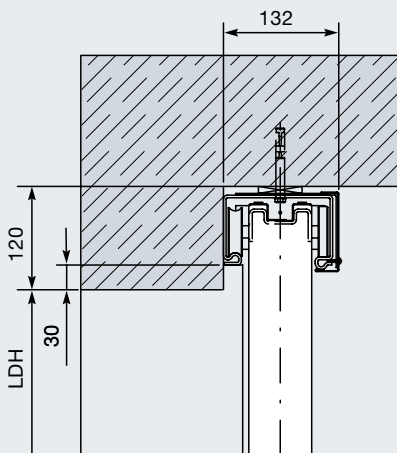
Fitting to the lintel



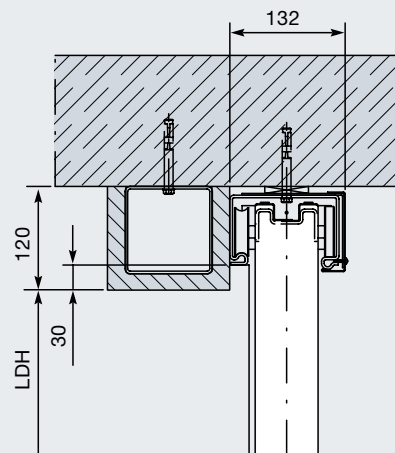
Fitting to the wall



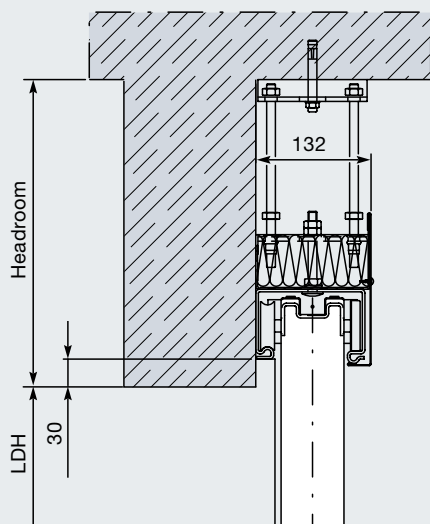
Direct fitting to the ceiling



Direct fitting to the ceiling with a false lintel



Ceiling suspension fitting (only for parking area)



Hörmann: Quality without Compromise



Hörmann KG Amshausen



Hörmann KG Antriebstechnik



Hörmann KG Brandis



Hörmann KG Brockhagen



Hörmann KG Dissen



Hörmann KG Eckelhausen



Hörmann KG Freisen



Hörmann KG Ichtshausen



Hörmann KG Werne



Hörmann Genk NV, Belgium



Hörmann Alkmaar B.V., Netherlands



Hörmann Legnica Sp. z o.o., Poland



Hörmann Beijing, China



Hörmann Tianjin, China



Hörmann LLC, Montgomery IL, USA



Hörmann Flexon, Leetsdale PA, USA

Hörmann is the only manufacturer worldwide that offers you a complete range of all major building products from one source. We manufacture in highly-specialised factories using the latest production technologies. The close-meshed network of sales and service companies throughout Europe, and activities in the USA and China, make Hörmann your strong partner for first-class building products, offering "Quality without Compromise".

GARAGE DOORS

OPERATORS

INDUSTRIAL DOORS

LOADING EQUIPMENT

HINGED DOORS

DOOR FRAMES