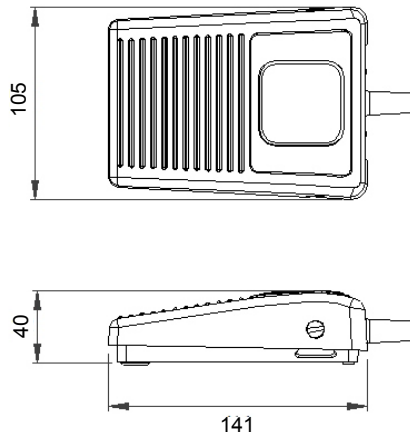


## For IPX7 single pole switching

- Economic/versatile plastic switch designed to reduce operator fatigue
- Pneumatic version available, please refer to Airswitching section for details
- Ideal for repetitive use with office equipment, domestic/medical appliances and general industrial applications
- Increased temperature range of -20 to +80°C

### Outline dimensions



### General specifications

Standards/approvals	Footswitch: low voltage directive 2006/95/EC, EN 60950 Microswitch: EN 61058-2-1, EN 61058
Degree of protection	EN 60529 IPX7
Connection method	2M of black cable with stripped cable cores
Electrical rating	Max.3A 250V AC/DC
Contact configuration	SPCO

Operating temperature range	-20°C to +80°C
Body material	Thermoplastic
Weight	0.375Kg
Additional information	Customised versions available (Logo's, Guards etc.)

### 6219: Ordering and options

6219 -  Z  B  - Z  B ZZ

<b>Model</b>	
<b>Cover</b>	A Black B Grey
<b>Switching action</b>	B Single pole change over (Cherry) microswitch (CC)
<b>Electrical rating</b>	A Gold contacts 0.1A 24V AC/DC B Silver contacts 3A 250V AC/DC
<b>Cable</b>	B 2 m black cable