

# 6225 Foot Switches

# herga

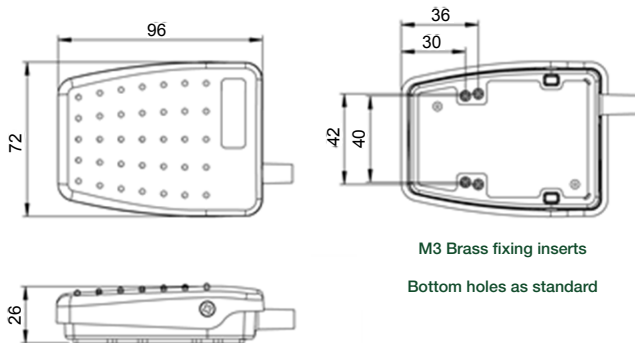
Technology Ltd

For IPX2 single & double pole switching  
UL Approved / IEC 60601-1

- Low profile, rear hinged switch designed for improved user comfort
- All plastic construction with raised tread pattern and anti-slip pad
- Versatile and innovative design make it an ideal product for OEM use
- Switches designed to meet medical, industrial/office/commercial standards
- Option for customers to fit own cable



## Outline dimensions



## General specifications

Standards/approvals	Footswitch: EN 60950, EN 60601-1:2006, UL 60601-1:2005, CSA C22.2 N° 60601-1-1-08, ANSI/AAMI ES 60601-1:2005, UL File N° E353500	Operating temperature range	+10°C to +50°C
Degree of protection	EN 60529 IPX2	Body material	Thermoplastic
Connection method	Stripped cable cores, USB or connector of your choice	Weight	0.14Kg (including cable)
Electrical rating	Max. 3A 24V AC/DC	Additional information	Customized versions available (logos, cordsets, colours, guards)
Contact configuration	SPST N/O, SPST N/C, SPCO, DPST N/O, DPST N/C, DPCO		



# 6225 Foot Switches

# herga

Technology Ltd

For IPX2 single & double pole switching  
UL Approved / IEC 60601-1

## 6225: Ordering and options

6225 - [ ] [ ] [ ] [ ] - [ ] [ ] [ ] [ ] - 0 0 0

### Model

#### Cover & base colours (A,B,C,D,L or N)

- |   |                           |   |                           |
|---|---------------------------|---|---------------------------|
| A | Black cover & Black base  | D | Green cover & Black base  |
| B | Grey cover & Black base   | L | Blue cover & Black base   |
| C | Yellow cover & Black base | N | Orange cover & Black base |

#### Base configuration (A,B or C)

- |   |  |
|---|--|
| A | Base fitted with M3 brass inserts                |
| B | Base fitted with Neoprene pad                    |
| C | Base fitted with M3 brass inserts & Neoprene pad |

#### Switching action (A,B,C, or D)

- |   |   |
|---|---|
| A | Single pole normally open (Cherry) microswitch (SC)                         |
| B | Single pole change over (Cherry) microswitch (CC)                           |
| C | Double pole normally open (Cherry) microswitches (DO)                       |
| D | Double pole normally open (Cherry) microswitches Two stage (DA)             |
| E | Single or double switch supplied without cable                              |
| F | USB Pre-programmed for customer keystroke (supplied with 2.5m cable & plug) |

#### Electrical rating (A,B or C)

- |   |  |
|---|--|
| A | Gold contact microswitch (Max. rating 0.1A, 24 V AC/DC)                          |
| B | Silvercontact microswitch (Max. rating 1.75A, 24 V AC/DC)                        |
| C | Gold Contact Sub-Min Microswitch For USB Option Only (Max Rating 50mA 24V AC/DC) |

#### IEC 60601-1 & UL 60601-1, 2-core cable at 2m length

- |   |                            |   |                    |
|---|----------------------------|---|--------------------|
| A | Cable 2-core Grey          | B | Cable 2-core Black |
| C | Cable 2-core Grey screened | Z | No cable chosen    |

#### IEC 60601-1 & UL 60601-1, 3-core cable at 2m length

- |   |                            |   |                    |
|---|----------------------------|---|--------------------|
| A | Cable 3-core Grey          | B | Cable 3-core Black |
| C | Cable 3-core Grey screened | Z | No cable chosen    |

#### IEC 60601-1 & UL 60601-1, 4-core cable at 2m length

- |   |                            |   |                    |
|---|----------------------------|---|--------------------|
| A | Cable 4-core Grey          | B | Cable 4-core Black |
| C | Cable 4-core Grey screened | Z | No cable chosen    |

#### Non cable variants - Customer fitted units (IPX2)

- |   |  |
|---|--|
| A | Single microswitch changeover (Solder tag 3.2 mm x 0.5mm) (Max. rating 3A, 24 V AC/DC) |
| B | Double microswitch changeover (Solder tag 3.2 mm x 0.5mm) (Max. rating 3A, 24 V AC/DC) |
| Z | No cable option chosen   |