

6226 - 0003 Foot Switch

herga

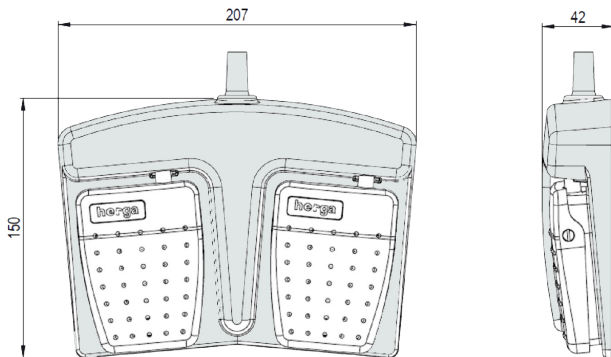
Technology Ltd

Special double-pedal version of 6226 series footswitch with IPX7 rating

- Low profile, rear hinged switch designed for improved user comfort
- Grey cover with Herga logo fitted on a black base
- Fitted to a black moulded 2 pedal base
- Momentary action with normally open contacts
- Option for customers to fit own cable



Outline dimensions mm



The 6226-0003 is a stock model

General specifications

Standards/approvals	Footswitch: EN 60950, EN 60601-1:2006, UL 60601-1:2005, CSA C22.2 N° 60601-1-1-08, ANSI/AAMI ES 60601-1:2005, UL File N° E353500
Degree of protection	EN 60529 IPX7 (IPX8 upon request)
Connection method	3 metres of 3-core cable
Max. electrical rating	1.75A 24VAC/DC
Contact configuration	Normally Open contacts
Action	Momentary

Operating temperature range	+10°C to +50°C
Body material	Thermoplastic
Weight	550 grams (including cable)
Additional information	Customized versions available (logos, cordsets, colours, guards)