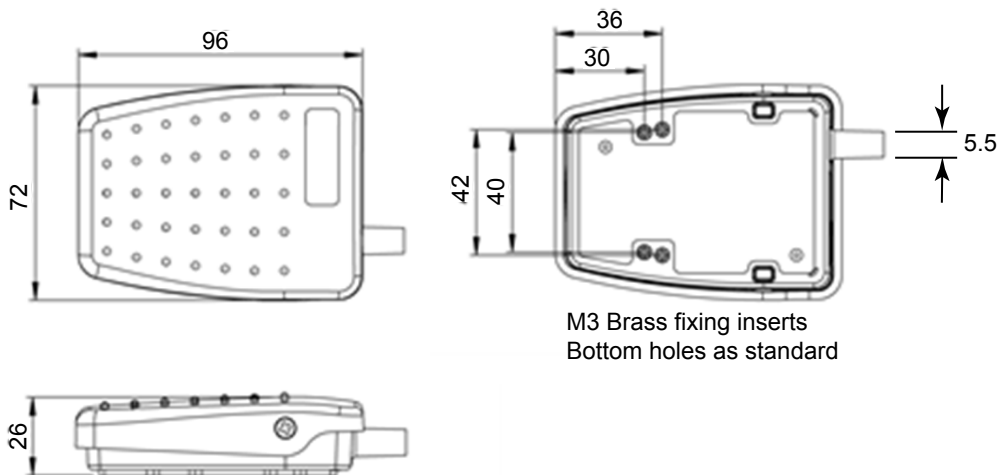


**Cost effective range - ex stock delivery**

- Low profile, rear hinged switch designed for improved user comfort
- All plastic construction with raised tread pattern and anti-slip pad
- Versatile and innovative design make it an ideal product for OEM use

**Outline dimensions****6227-S General specifications**

Standards/approvals	Footswitch: low voltage directive 2006/95/EC, EN 60950
Degree of protection	EN 60529 IPX2
Connection method	Solder tag microswitch, no cable fitted (max cable dia. 5.5)
Electrical rating	6A 250V AC
Contact configuration	SPCO (Single pole changeover)
Operating temperature range	+10°C to +50°C
Body material	Thermoplastic
Weight	0.12Kg
Additional information	Black cover, black base

Minimum delivered batch quantities - 100 pcs