

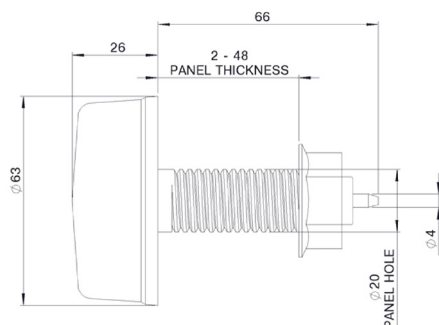
6433 Panel Mount Bellows



Technology Ltd

- Durable bellows designed for panel mounting
- Available with shorter shank upon request
- Easily cleaned

Outline dimensions



Ordering and options

Stock model: 6433-ZC00

6433 - Z [] 0 0

Model

Colour option -

- A Black
- B Grey
- C White
- D Red
- F Green

| | |
|-----------------|--|
| Mounting | Through panel with integral thread & nut |
| Air connection | Spout, 4mm dia. |
| Panel thickness | 2.0mm to 48.0mm |
| Tube reference | 2311-01 or 2311-08 |

General specifications

| | |
|-----------------------|--|
| Standards/approvals | n/a |
| Degree of protection | EN 60529 IPX4 |
| Connection method | Via back entry spout, 4mm dia. |
| Electrical rating | n/a |
| Contact configuration | n/a |
| Pressure range | Works with 6871, 6872, 6773, 6753, 6891, 6893, 6861, 6862, 6863, 6864, 6869 – dependent on tube length |

| | |
|-----------------------------|--|
| Operating temperature range | +10°C to +40°C |
| Body material | Thermoplastic |
| Weight | 0.053Kg |
| Additional information | Other colour options available upon request. ask our sales team about the high durability polyurethane (TPU) version and the short threaded option (better suited for mounting in thin panels) |

