



Product Feature:

Back rest adjusts swiftly to flat/horizontal to allow for recovery position



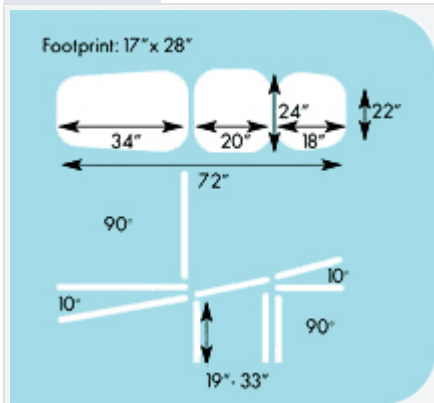
Attachments Notes:

Adjustable arm supports can be easily attached / adjusted - **to order (A8)**
(not included as standard - to order if required)



Phlebotomy arms can be attached for blood taking - **to order (A7 single / or A11 pair)**
(not included as standard - to order if required)

Specification



Made in UK. CE marked



SWL: 225kg

Clinic Chair

£765

Product Code - JOS4100 Electronic / JOS4100H Hydraulic

Features

- Compact Clinic Chair
- Seat section has a fixed tilt of 10°
- Gas assisted adjustable back and foot sections
- Retractable wheel base with foot lever control
- Anti-microbial seamless 2" foam upholstery
- Steel frame with white anti-microbial protective coating

Electronic Model:

- Electronic height operation by handheld remote control

Hydraulic Model:

- Hydraulic height operation by pneumatic foot pump

Options

- Choice of vinyl colours
- Electric footswitch control
- Anatomic memory foam

Attachments

- Safety Rails
- Head Cushion
- IV Pole
- Phlebotomy Arm/s
- Adjustable Arms

Pricing & Ordering

JOS4100 Joslin Electronic Compact Clinic Chair £765

JOS4100H Joslin Hydraulic Compact Clinic Chair £765

Options

O25	Anatomic Memory Foam	£95
O27	Alternative Electronic Footswitch	£75
Base	Base Variant to allow hoist access	£90
V30	Choice of Upholstery Colours	FOC
V31	Upholstery Upgrade	£40

Attachments

A2	Safety Rails - fold down (pair)	£130
A3	Head Cushion Support	£45
A4	IV Pole	£69
A7	Phlebotomy Arm (single)	£95
A11	Phlebotomy Arm (pair)	£180
A8	Adjustable Arm Supports (pair)	£65

Prices are VAT exclusive

Advice / Ordering call 0121 332 1850 or [email](#)

Manufacture & Delivery



FREE Delivery mainland UK by pallet courier



Personal Installation service to order



Production Lead Time - approx. **15-20 working days**

Attachments to Order



A2 Side Rails

Provide additional patient safety. Fold down.



A3 Head Cushion

Provides patient support. Detachable.



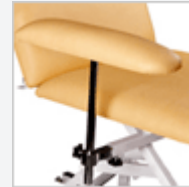
A4 IV Pole

Fits either side. Height adjustable/detachable.



A7 single/ A11 pair Phlebotomy Arm

Shaped adjustable arm fits into side of unit. Detachable.



A8 Arm Supports

Arm supports can be raised/ lowered. Detachable.

Options to Order



O25 Additional top layer of pressure relieving memory foam.



O27 Alternative electronic double footswitch control.



Base Base variant allows hoist access. Bespoke sizes available.