



vinyl colour selection:



**Special Feature:**

Retractable wheel base with foot lever control allows couch to be moved/positioned with ease.

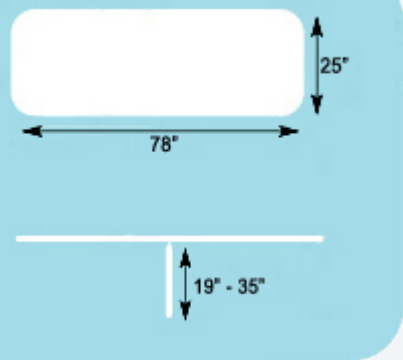


**Attachments Note:**

Extra-long safety rails can be fitted to run table length (pair) - removable/folding - **to order A12**. (Padded sides also available to special order)

**Specification**

Footprint: 24" x 53"



Made in UK. CE marked

SWL: 225kg

**Single Section Couch / Changing Table**  
**£845**

Product Code - OSL3150 Electronic / OSL3150H Hydraulic

**Features**

- Flat single section table
  - Retractable wheel base with foot lever control
  - Anti-microbial seamless 2" vinyl upholstery
  - Steel frame with white anti-microbial protective coating
- Electronic Model:**
- Electronic height operation by handheld remote control
- Hydraulic Model:**
- Hydraulic height operation by pneumatic foot pump

**Options**

- Choice of vinyl colours
- Breather hole
- Anatomic memory foam
- Electric footswitch control
- Base Variant for hoist

**Attachments**

- Hygiene Roll Holder
- Safety Rails

**Pricing & Ordering**

<b>OSL3150</b>	<b>Osler Flat Single-section Electronic Table</b>	<b>£845</b>
<b>OSL3150H</b>	<b>Osler Flat Single-section Hydraulic Table</b>	<b>£845</b>

**Options**

O24	Breather Hole + Vinyl Wedge	£25
O25	Anatomic Memory Foam	£95
O27	Alternative Electronic Footswitch	£75
Base	Base Variant to allow hoist access	£90
V30	Choice of Upholstery Colours	FOC
V31	Upholstery Upgrade	£40

**Attachments**

A1	Hygiene Roll Holder	£27
A12	Safety Rails - long / fold down (pair)	£149

Prices are VAT exclusive

**Advice / Ordering call 0121 332 1850 or [email](#)**

**Manufacture & Delivery**

- FREE Delivery** mainland UK by pallet courier
- Personal Installation** service to order
- Production Lead Time** - approx. **15 working days**

## Attachments to order



### **A1 Towel Rail**

Allows full extension of paper over couch.



### **A12 Side Rails - Long**

Provide additional patient safety. Fold down.

## Options to Order



**O24** Integral nose hole in head section with wedge to plug hole.



**O25** Additional top layer of pressure relieving memory foam.



**O27** Alternative electronic double footswitch control.



**Base** Base variant allows hoist access. Bespoke sizes available.