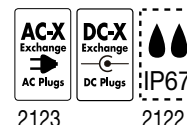


2121 - 2-pin IEC 320

2122 - fixed mains cord/fast nettleledning

2123 - exchangeable/utskiftbare AC plugs

- Universal input voltage
- Short circuit proof
- Overvoltage protection
- Very compact design
- Modular connector
- Mounting brackets available
- Order mains cord separately
- Waterproof (IP67) version available
- Exchangeable AC and DC plugs
- Universal inngangsspenning
- Kortslutningssikker
- Overspenningsbeskyttet
- Meget kompakt design
- Modulærkontakt
- Festbraketter kan leveres
- Nettledning best. separat
- Vanntett (IP67) versjon kan leveres
- Utskiftbare AC og DC plugger



### Technical specifications

### Tekniske data

**13,2 V\***

|                           |                      |   |
|---------------------------|----------------------|---|
| Input voltage:            | Inngangsspenning:    | 90-264 VAC, 50/60 Hz  |
| Load regulation:          | Lastregulering:      | < 1%  |
| Mains regulation:         | Linjeregulering:     | < 0,5%  |
| Switch frequency approx.: | Svitsjefrekvens ca.: | 24-250 kHz  |
| Temperature range         | Temperaturområde     |   |
| • Operating:              | • Drift:             | -20 - +40°C   |
| • Storage:                | • Lagring:           | -25 - +85°C   |
| Ripple:                   | Rippel:              | 170 mV p-p  |
| Efficiency:               | Virkningsgrad:       | ca 78 %   |
| Insulation class          | Isolasjonsklasse:    | II  |
| Insulation voltage        | Isolasjonsspenning   |   |
| • Primary - secondary:    | • Primær - sekundær: | 3000 VAC / 4250 VDC   |
| Safety:                   | Sikkerhet:           | EN 60950  |
| EMC standards             | EMC standarder       |   |
| • Emission:               | • Emisjon:           | EN 61000-6-3  |
| • Immunity:               | • Immunitet:         | EN 61000-6-1  |
| Input terminals:          | Inngangsterminaler:  | 2-pin IEC 320 kontakt/ connector  |
| Output terminals:         | Utgangsterminaler:   | Modular connector + exch. cable<br>(2123: Fixed output cable)<br>Modulær kontakt + utskiftb. kabel<br>(2123: Fast utg. kabel) |
| Dimensions (LxWxH):       | Ytre mål (LxBxH):    | 90 x 45 x 32mm (2121, 2122)   |
| Weight:                   | Vekt:                | 108g  |

\* Some technical specifications may differ for other models and voltage versions. / Visse tekniske data kan variere for de forskjellige modeller og spenningsversjoner.

### Voltage versions / Spenningsversjoner

| Output / Utgang (V) | Max. current / Maks. strøm (A) | Max. output power / Maks. utgangseffekt (W) |
|---------------------|--------------------------------|---|
| 6                   | 1,0                            | 6   |
| 9                   | 1,0                            | 9   |
| 13,2                | 0,75                           | 10  |
| 16                  | 0,6                            | 10  |
| 24                  | 0,4                            | 10  |



# Exchangeable AC plug models

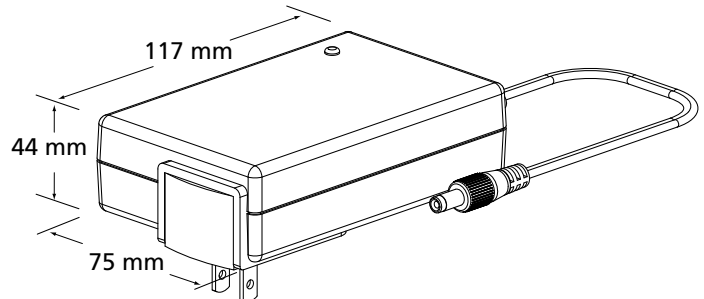
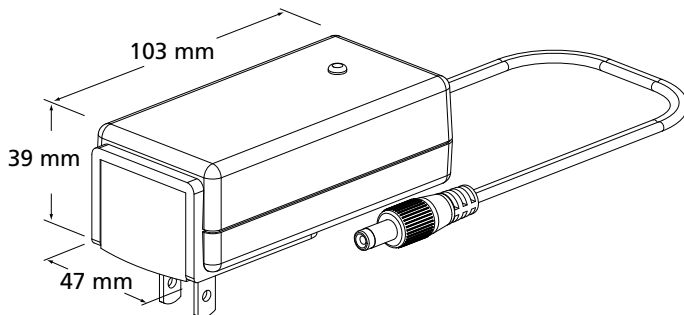
## Modeller med utskiftbare AC pluggar

Available as / Tilgjengelig som:

| Small housing / liten boks   |                                   |                 |
|--|-----------------------------------|-----------------|
| Base model / Grunnmodell   |                                   | w exch. AC plug |
| Type   | Description / Beskrivelse         | Type            |
| 2121   | AC/DC PSU, max 10W                | 2123            |
| 2124   | AC/DC PSU, max 16W                | 2126            |
| 2115   | NiMH battery charger, max 1,3A    | 2116            |
| 2240   | Lead Acid batt. charger, max 1,3A | 2241            |
| 2240 LI  | Li-Ion batt. charger, max 1,3A    | 2241 LI         |
| Additional housing weight (excl. plug/cord) +15 g<br>Tilleggsvekt (uten plugg/ledning) +15 g |                                   |                 |

| Medium housing / medium boks   |                                   |                 |
|--|-----------------------------------|-----------------|
| Base model / Grunnmodell   |                                   | w exch. AC plug |
| Type   | Description / Beskrivelse         | Type            |
| 9921   | AC/DC PSU, max 40W                | 9926            |
| 2720   | AC/DC PSU, max 40W                | 2721            |
| 2541   | Lead Acid batt. charger, max 2,2A | 2542            |
| 9940   | Lead Acid batt. charger, max 2,3A | 9941            |
| 2215   | NiMH battery charger, max 35W     | 2216            |
| 9940 LI  | Li-Ion batt. charger, max 2,3A    | 9941 LI         |
| 2541 LI  | Li-Ion batt. charger, max 2,7A    | 2542 LI         |
| Additional housing weight (excl. plug/cord) +27 g<br>Tilleggsvekt (uten plugg/ledning) +27 g |                                   |                 |

IEC 320 mains cord / nettleddning 1800mm EU part no. 131306,  
 UK part no. 131148, US part no. 131147, AU part no. 013108



## EXCHANGEABLE AC PLUG ADAPTERS

