

# 2124-2125-2126, 2924 Max. 16 W



## AC/DC SWITCH MODE POWER SUPPLIES

### tech spec

2124 - 2-pin IEC 320

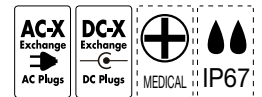
2125 - fixed mains cord/fast netledning

2126 - exchangeable AC plugs/utskiftbare

**New!** 2924 - High efficiency and low standby power (ErP Directive)  
- Approvals pending



- Universal input voltage
- Short circuit proof
- Overvoltage protection
- Exchangeable AC and DC plugs
- Mounting brackets available
- Order mains cord separately
- Waterproof (IP67) version available
- Approvals:
  - Medically certified (EN 60601)
  - UL approved on request
  - For updates: see [www.mascot.no](http://www.mascot.no)
- Universal inngangsspenning
- Kortslutningssikker
- Overspenningsbeskyttet
- Utskiftbare AC og DC plugger
- Festbraketter kan leveres
- Netledning best. separat
- Vanntett (IP67) versjon kan leveres
- Godkjenninger:
  - Medisinsk sertifisert (EN 60601)
  - UL godkjent på forespørsel
  - For oppdat.: se [www.mascot.no](http://www.mascot.no)



2126

2125

### Technical specifications

### Tekniske data

### 13,2 V\*

Input voltage:	Inngangsspenning:	90-264 VAC, 50/60 Hz
Line Frequency:	Frekvensområde:	47 - 63 Hz
Min. output current:	Min. laststrøm:	0 A
Max. output power:	Maks. utgangseffekt:	16W
Load regulation:	Lastregulering:	< 1%
Mains regulation:	Linjeregulering:	< 0,5%
Switch frequency approx.:	Svitsjefrekvens ca.:	40 kHz
Overshoot: (90 - 10% load variation)	Oversving (90-10% lastvariasjon):	<200 mV
Undershoot: (10 - 90% load variation)	Undersving (10-90% lastvariasjon):	>500 mV
Temperature range	Temperaturområde	
• Operating:	• Drift:	-20 - +40°C
• With derating:	• Med derating:	+ 60°C
• Storage:	• Lagring:	-25 - +85°C
Derating:	Derating:	0,38W/°C over 40°C
Ripple:	Rippel:	< 100 mV p-p
Efficiency:	Virkningsgrad:	ca 83 %
Insulation class:	Isolasjonsklasse:	II
Insulation voltage	Isolasjonsspenning	
• Primary - secondary:	• Primær - sekundær:	3000 VAC / 4250 VDC
Safety:	Sikkerhet:	EN 60950, UL / EN 60601-1
EMC standards	EMC standarder	
• Emission:	• Emisjon:	EN 61000-6-3
• Immunity:	• Immunitet:	EN 61000-6-1
Output terminal:	Utgangsterminaler:	Cable with/without plug, exch. plugs available Sek.ledn. m/u plugg, tilgj. med utskiftb. plugger
Dimensions (LxWxH):	Ytre mål (LxBxH):	90 x 45 x 32mm (2124, 2125, 2924)
Weight:	Vekt:	115g (215g IP67 vers.)

\* Some technical specifications may differ for other models and voltage versions. / Visse tekniske data kan variere for de forskjellige modeller og spenningsversjoner.

### Voltage versions - Spenningsversjoner

Output (V) +/- 2,5% Utgang (V) +/- 2,5%	Max. current (A) Maks. strøm (A)	Max. output power (W) Maks. utgangseffekt (W)	Input Voltage (VDC) Inngangsspenning (VDC)
6	1,5	9	
9	1,5	13,5	20-60 (2125)
13,2	1,2	15	
16	1,0	16	
24	0,65	16	
48	0,33	16	

[www.mascot.com](http://www.mascot.com)

[sales@mascot.no](mailto:sales@mascot.no)

TS070111

Main Office NORWAY  
Box 177  
N-1601 Fredrikstad  
+47 69 36 43 00

Mascot UK  
Box 2090, Salisbury  
Wiltshire SP2 2BH  
+44 172 250 4853

Mascot DE, BENELUX  
Hirschbergstr. 28/7  
D-74838 Limbach  
+49 628 795 140

Mascot DE, CH, AT  
Tettmanger Str. 52  
D-88239 Wangen  
+49 752 895 1677

Mascot FRANCE  
38 rue Leo Lagrange  
F-94270 Le Kremlin Bicêtre  
+33 146 587 185

Mascot BALTIC, RUSSIA  
Peterburi tee 81  
11415, Tallin, Estonia  
+372 555 21 121

Mascot SWEDEN  
Box 177  
N-1601 Fredrikstad  
+46 526 14025



# Exchangeable AC plug models

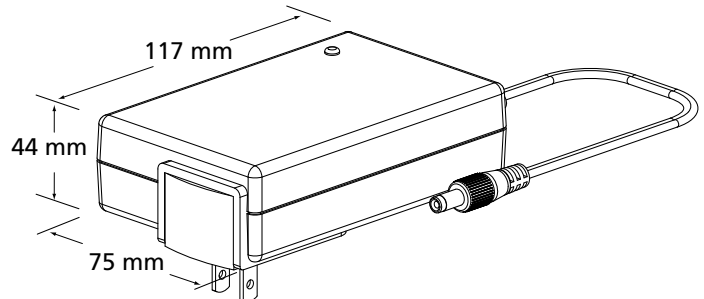
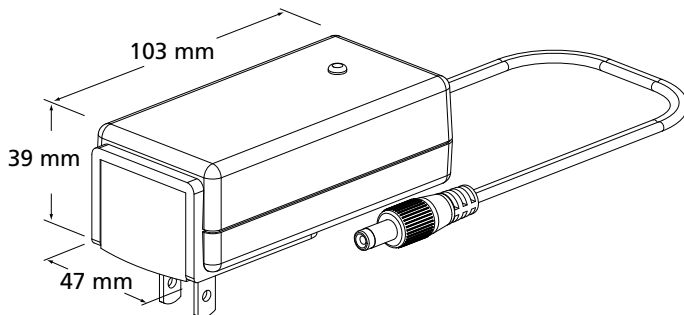
## Modeller med utskiftbare AC pluggar

Available as / Tilgjengelig som:

Small housing / liten boks		
Base model / Grunnmodell		w exch. AC plug
Type	Description / Beskrivelse	Type
2121	AC/DC PSU, max 10W	2123
2124	AC/DC PSU, max 16W	2126
2115	NiMH battery charger, max 1,3A	2116
2240	Lead Acid batt. charger, max 1,3A	2241
2240 LI	Li-Ion batt. charger, max 1,3A	2241 LI
Additional housing weight (excl. plug/cord) +15 g Tilleggsvekt (uten plugg/ledning) +15 g		

Medium housing / medium boks		
Base model / Grunnmodell		w exch. AC plug
Type	Description / Beskrivelse	Type
9921	AC/DC PSU, max 40W	9926
2720	AC/DC PSU, max 40W	2721
2541	Lead Acid batt. charger, max 2,2A	2542
9940	Lead Acid batt. charger, max 2,3A	9941
2215	NiMH battery charger, max 35W	2216
9940 LI	Li-Ion batt. charger, max 2,3A	9941 LI
2541 LI	Li-Ion batt. charger, max 2,7A	2542 LI
Additional housing weight (excl. plug/cord) +27 g Tilleggsvekt (uten plugg/ledning) +27 g		

IEC 320 mains cord / nettleddning 1800mm EU part no. 131306,  
 UK part no. 131148, US part no. 131147, AU part no. 013108



## EXCHANGEABLE AC PLUG ADAPTERS

