



# Exchangeable AC plug models

## Modeller med utskiftbare AC plugger

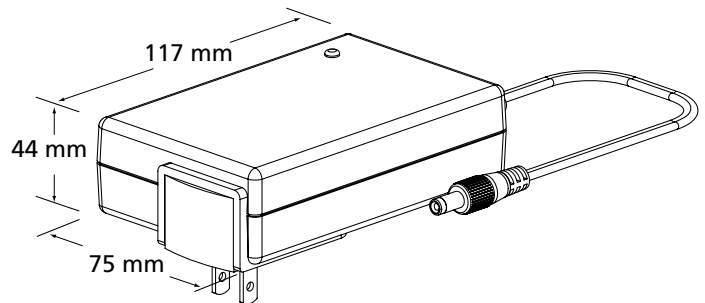
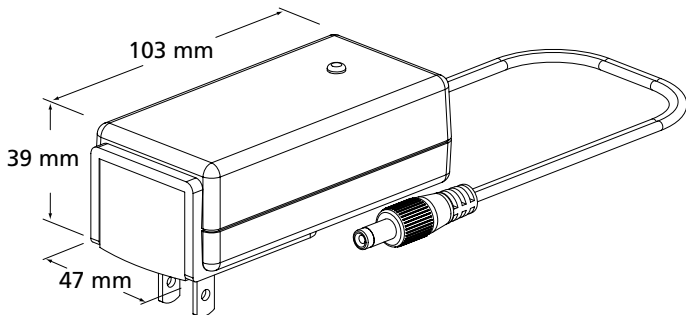
Available as / Tilgjengelig som:

Small housing / liten boks		
Base model / Grunnmodell		w exch. AC plug
Type	Description / Beskrivelse	Type
2121	AC/DC PSU, max 10W	2123
2124	AC/DC PSU, max 16W	2126
2115	NiMH battery charger, max 1,3A	2116
2240	Lead Acid batt. charger, max 1,3A	2241
2240 LI	Li-Ion batt. charger, max 1,3A	2241 LI
Additional housing weight (excl. plug/cord) +15 g Tilleggsvekt (uten plugg/ledning) +15 g		

Medium housing / medium boks		
Base model / Grunnmodell		w exch. AC plug
Type	Description / Beskrivelse	Type
9921	AC/DC PSU, max 40W	9926
2720	AC/DC PSU, max 40W	2721
2541	Lead Acid batt. charger, max 2,2A	2542
9940	Lead Acid batt. charger, max 2,3A	9941
2215	NiMH battery charger, max 35W	2216
9940 LI	Li-Ion batt. charger, max 2,3A	9941 LI
2541 LI	Li-Ion batt. charger, max 2,7A	2542 LI
Additional housing weight (excl. plug/cord) +27 g Tilleggsvekt (uten plugg/ledning) +27 g		



IEC 320 mains cord / nettleddning 1800mm EU part no. 131306,  
UK part no. 131148, US part no. 131147, AU part no. 013108



## EXCHANGEABLE AC PLUG ADAPTERS

