

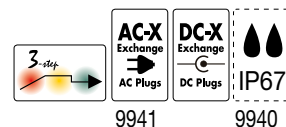
# 9940 LI-9941 LI Max. 2,3A

## Chargers for Li-Ion batteries - switch mode



### 9941 LI - exchangeable / utskiftbare AC plugs

- 3-step charge control with timer
- Universal input voltage (90-264 VAC)
- Charges 3-8 battery cells
- Order mains cord separately
- Mounting bracket available
- Exchangeable DC plugs
- Custom specifications on request
- Approvals:
  - Complies w. medical std EN 60601
  - UL-approved (UL-60601-1)
  - For updates: see www.mascot.no
- 3-trinns ladekontroll med timer
- Universal inngangsspenning (90-264 VAC)
- Opplading av 3-8 battericeller
- Nettledning best. separat
- Kan leveres med festbrakett
- Utskiftbare DC plugger
- Tilpasninger leveres på forespørsel
- Godkjenninger:
  - Tilfredsst. medisinsk std EN 60601
  - UL-godkjent (UL-60601-1)
  - For oppdat.: se www.mascot.no



### Technical specifications

### Tekniske data

Input voltage:	Inngangsspenning:	90 - 264 VAC
Line frequency:	Frekvensområde:	47 - 63Hz
Max. output power:	Maks. utgangseffekt:	40 W
Switch frequency, approx.:	Svitsjefrekvens ca.	45 kHz
Leakage curr. with mains disconn.:	Strømtr. fra batt. ved frakobl. nett:	< 200 uA
Temperature range:	Temperaturområde:	-10 °C - +40 °C
Ripple:	Rippel:	< 100 mV p-p
Efficiency (at 100%load):	Virkningsgrad (ved 100% last):	> 81%
Protection:	Sikring:	Mains fuse / Glassikring
Automatically resettable fuse protects charger against wrong polarity	Feil polaritet beskyttelse med automatisk resetbar sikring	
Insulation class:	Isolasjonsklasse:	II
Electrical safety:	Elektrisk sikkerhet:	EN 60601-1, EN 60950 EN 60335-2-29, UL-60601-1
EMC standards	EMC standarder	
• Medical:	• Medisinsk:	EN 60601-1-2
• Emission:	• Emisjon:	EN 61000-6-3
• Immunity:	• Immunitet:	EN 61000-6-1
Mains connection:	Nettilkobling:	2-pin IEC 320 connector
Indication	Indikasjon	
• Orange (constant current, boost)	• Orange (konst. strøm, hurtig)	
• Yellow (constant voltage, timer)	• Gul (konst. spenning, timer)	
• Green (charge termination)	• Grønn (ladestopp)	
Timer:	Timer:	4h ± 30% (also available with other values)
Output terminals:	Utgangsterminaler:	batt. clips, push-on, DC conn. Batt. klemmer, flatstift, DC plugg
Dimensions (LxWxH):	Mål (LxBxH):	107 x 67 x 36,5mm (9940 LI)
Weight:	Vekt:	250g

### Versions - Versjoner

Cells Celler	Nom. Battery voltage (V) Nom. Batt. spenning (V)	Charge start Vbat< Ladestart Vbat<	Charge voltage (V) Ladespenning (V)	Charge current (A) Ladestrøm (A)
3	10,8	12,0V±0,1-0,15V	12,6	2,3
4	14,4	16,0V±0,15V	16,8	2
5	18,0	20,0V±0,2V	21,0	1,3
6	21,6	24,0V±0,3V	25,2	1,3
7	25,2	28,0V±0,3V	29,4	1,3
8	28,8	32,3V±0,3V	33,6	1



# Exchangeable AC plug models

## Modeller med utskiftbare AC pluggar

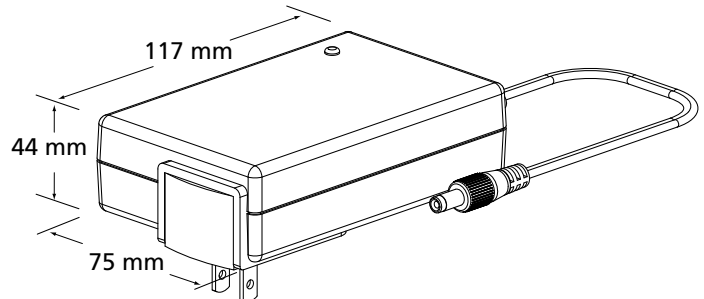
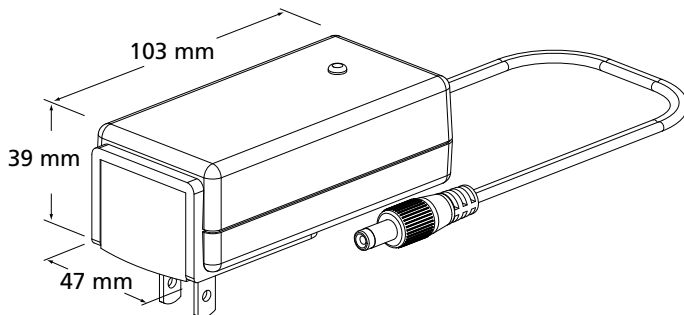
Available as / Tilgjengelig som:

Small housing / liten boks		
Base model / Grunnmodell		w exch. AC plug
Type	Description / Beskrivelse	Type
2121	AC/DC PSU, max 10W	2123
2124	AC/DC PSU, max 16W	2126
2115	NiMH battery charger, max 1,3A	2116
2240	Lead Acid batt. charger, max 1,3A	2241
2240 LI	Li-Ion batt. charger, max 1,3A	2241 LI
Additional housing weight (excl. plug/cord) +15 g Tilleggsvekt (uten plugg/ledning) +15 g		

Medium housing / medium boks		
Base model / Grunnmodell		w exch. AC plug
Type	Description / Beskrivelse	Type
9921	AC/DC PSU, max 40W	9926
2720	AC/DC PSU, max 40W	2721
2541	Lead Acid batt. charger, max 2,2A	2542
9940	Lead Acid batt. charger, max 2,3A	9941
2215	NiMH battery charger, max 35W	2216
9940 LI	Li-Ion batt. charger, max 2,3A	9941 LI
2541 LI	Li-Ion batt. charger, max 2,7A	2542 LI
Additional housing weight (excl. plug/cord) +27 g Tilleggsvekt (uten plugg/ledning) +27 g		



IEC 320 mains cord / nettleddning 1800mm EU part no. 131306,  
 UK part no. 131148, US part no. 131147, AU part no. 013108



## EXCHANGEABLE AC PLUG ADAPTERS

