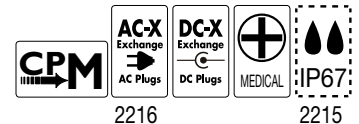


### 2216 - exchangeable / utskiftbare AC plugs

- Universal input voltage
- CPM-Computer Programmable Microprocessor offering:
  - Charge detection options (one or more):
  - dV, dT/dt, 0 dV, Timer
  - Safety timer, dV threshold, and temp. gradient adjustment
- Approvals:
  - Medically certified (EN 60601)
  - UL approved (UL 60601-1)
  - For updates: see www.mascot.no
- Universal inngangsspenning
- CPM-Computer Programmerbar Microprosessor tilbyr:
  - Ladedeteksjonsvalg (en eller flere):
  - dV, dT/dt, 0 dV, Timer
  - Justering av sikkerhetstimer, dV nivå og temp. stigningsnivå
- Godkjenninger:
  - Medisinsk sertifisert (EN 60601)
  - UL godkjent (UL 60601-1)
  - For oppdat.: se www.mascot.no



#### Technical specifications

#### Tekniske data

Input voltage:	Inngangsspenning:	90-264 VAC, 50-60Hz
Max. output power:	Maks. utgangseffekt:	35W
Trickle charge current:	Vedlikeholdsladestrøm:	100mA +/-50mA 10-20 cell: 50mA +/-25mA
Leakage current f. battery w mains off:	Strømtr. fra batt v. frakobl. nett:	< 1mA
Start timer (no -dV detection) *:	Start timer (ingen -dV deteksjon) *:	3 min.
Top-off timer *:	Top-off timer *:	1 time/hour
Safety timer *:	Sikkerhetstimer *:	2 timer/hours
Switch frequency:	Svtsjefrekvens:	40 kHz
Temperature range:	Temperaturområde:	-20°C - +40 °C
Efficiency (at 100% load):	Virkningsgrad (ved 100% last):	ca 78 %
Protection	Sikring	
• Input:	• Inngang:	Fusible resistor / Sikringsmotstand
• Output:	• Utgang:	Polyswitch fuse against reversed polarity/ Polyswitch-sikring mot polvending
Insulation class:	Isolasjonsklasse:	II
Electrical safety:	Elektrisk sikkerhet:	EN 60601-1, EN 60950, EN 60335-2-29, UL 60601-1
EMC standards	EMC standarder	
• Medical:	• Medisinsk:	EN 60601-1-2
• Emission:	• Emisjon:	EN 61000-6-3
• Immunity*:	• Immunitet*:	EN 61000-6-1
Mains connection**:	Nettilkopling**:	2-pin IEC 320
IP-code:	IP-grad:	41
Dimensions (LxWxH):	Mål (LxBxH):	107 x 67 x 36,5mm (2215)
Weight:	Vekt:	250g

\*Programmable / Programmerbar

\*\* Mains cable not included. Order separately. / Nettledning følger ikke med. Må bestilles i tillegg.

#### Versions - Versjoner

Cells	No-load voltage	Min. out. for -dV detection	Max out. for -dV detection	-dV detection mV/cell or %	Fast charge current	Top-off charge (1h. a. -dV det.)
Celler	Tomgangsspenning	Min utsp. for -dV deteksjon	Max utsp. for -dV deteksjon	-dV deteksjon mV/celle eller %	Hurtig ladestrøm	Topplading (1t. e. -dV detek.)
3-6	12,8V +/-0,7V	3,7V (min. 3 c.)	10,8V (max 6 c.)	11mV/0,6%	3,0A +/- 250mA	390mA +/- 80mA
4-8	16,5V +/-1V	5,0V (min. 4 c.)	14,4V (max 8 c.)	8mV/0,5%	2,2A +/- 150mA	310mA +/- 80mA
5-10	21V +/-1,2V	6,2V (min. 5 c.)	18V (max 10 c.)		1,8A +/- 150mA	270mA +/- 70mA
6-12	24,7V +/-1,5V	7,5V (min. 6 c.)	21,6V (max 12 c.)		1,5A +/- 100mA	240mA +/- 60mA
10-20	41V +/-2V	12,5V (min. 10 c.)	36V (max 20 c.)		0,9A +/- 70mA	130mA +/- 40mA
Note:		min 1,25 V pr. cell	max 1,8 V pr. cell			



# Exchangeable AC plug models

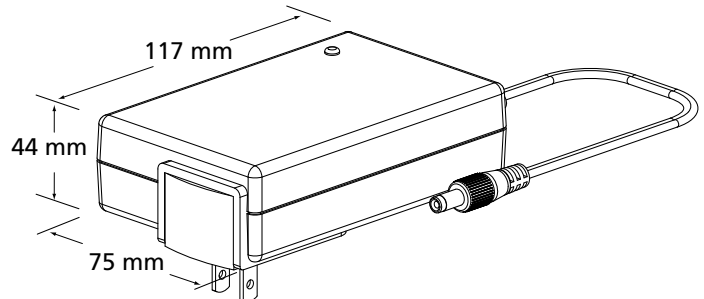
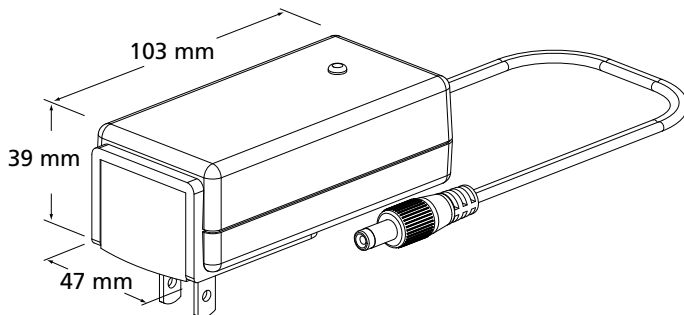
## Modeller med utskiftbare AC pluggar

Available as / Tilgjengelig som:

Small housing / liten boks		
Base model / Grunnmodell		w exch. AC plug
Type	Description / Beskrivelse	Type
2121	AC/DC PSU, max 10W	2123
2124	AC/DC PSU, max 16W	2126
2115	NiMH battery charger, max 1,3A	2116
2240	Lead Acid batt. charger, max 1,3A	2241
2240 LI	Li-Ion batt. charger, max 1,3A	2241 LI
Additional housing weight (excl. plug/cord) +15 g Tilleggsvekt (uten plugg/ledning) +15 g		

Medium housing / medium boks		
Base model / Grunnmodell		w exch. AC plug
Type	Description / Beskrivelse	Type
9921	AC/DC PSU, max 40W	9926
2720	AC/DC PSU, max 40W	2721
2541	Lead Acid batt. charger, max 2,2A	2542
9940	Lead Acid batt. charger, max 2,3A	9941
2215	NiMH battery charger, max 35W	2216
9940 LI	Li-Ion batt. charger, max 2,3A	9941 LI
2541 LI	Li-Ion batt. charger, max 2,7A	2542 LI
Additional housing weight (excl. plug/cord) +27 g Tilleggsvekt (uten plugg/ledning) +27 g		

IEC 320 mains cord / nettledning 1800mm EU part no. 131306,  
 UK part no. 131148, US part no. 131147, AU part no. 013108



## EXCHANGEABLE AC PLUG ADAPTERS

