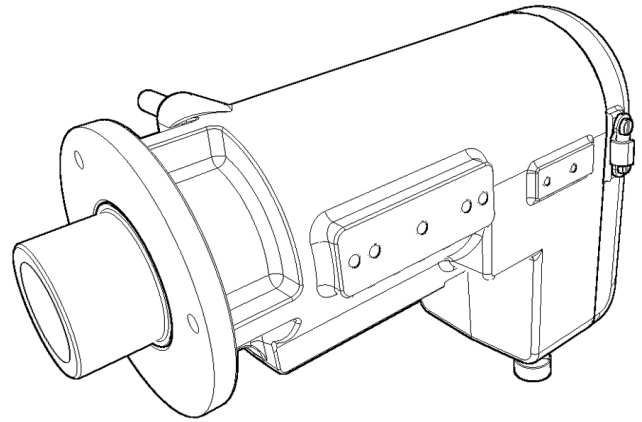


LAND



SPOT

Water Cooled Mountings (including Sealed to Process variant & Emissivity Enhancer)

Installation Guide

Land Instruments International
Dronfield, S18 1DJ
England
Telephone: +44 (0) 1246 417691
Facsimile: +44 (0) 1246 410585
Email: land.infrared@ametek.co.uk
Internet: www.landinst.com

AMETEK Land, Inc.
150 Freeport Road
Pittsburgh PA 15238 U.S.A.
Telephone: (412) 826-4444
Facsimile: (412) 826-4460
Email: irsales@ametek.com
Internet: www.ametek-land.com

Publication N° 808274
Issue 1
25/02/2013

Health and Safety Information



Read all of the instructions in this booklet - including all the **WARNINGS** and **CAUTIONS** - *before* using this product. If there is any instruction which you do not understand. **DO NOT USE THE PRODUCT.**

Safety Signs



WARNING

Indicates a potentially hazardous situation which, if not avoided, could result in death or personal injury.



CAUTION

Indicates a potentially hazardous situation which, if not avoided, could result in minor or moderate injury to the user or users, or result in damage to the product or to property.

NOTE

Indicates a potentially hazardous situation which, if not avoided, could result in damage or the loss of data.

Equipment Operation

Use of this instrument in a manner not specified by Land Instruments International may be hazardous. Read **and understand** the user documentation supplied **before** installing and operating the equipment.

Protective Clothing, Face and Eye Protection

It is possible that this equipment is to be installed on, or near to, machinery or equipment operating at high temperatures and high pressures. Suitable protective clothing, along with face and eye protection must be worn. Refer to the health and safety guidelines for the machinery/equipment before installing this product. If in doubt, contact Land Instruments International.

Electrical Power Supply

Before working on the electrical connections, all of the electrical power lines to the equipment must be isolated. All the electrical cables and signal cables must be connected exactly as indicated in these operating instructions. If in doubt, contact Land Instruments International.

Storage

The instrument should be stored in its packaging, in a dry sheltered area.

Unpacking

Check all packages for external signs of damage. Check the contents against the packing note.

Lifting Instructions

Where items are too heavy to be lifted manually, use suitably rated lifting equipment. Refer to the Technical Specification for weights. All lifting should be done as stated in local regulations.

Contact Us

UK - Dronfield

Land Instruments International
Tel: +44 (0) 1246 417691
E-Mail: land.infrared@ametek.co.uk
Web: www.landinst.com

USA - Pittsburgh

AMETEK Land, Inc.
Tel: +1 412 826 4444
E-Mail: irsales@ametek.com
Web: www.ametek-land.com

For further details on all LAND/Ametek offices, distributors and representatives, please visit our websites.

Return of Damaged Goods

IMPORTANT If any item has been damaged in transit, this should be reported to the carrier and to the supplier immediately. Damage caused in transit is the responsibility of the carrier not the supplier.

DO NOT RETURN a damaged instrument to the sender as the carrier will not then consider a claim. Save the packing with the damaged article for inspection by the carrier.

Return of Goods for Repair

If you need to return goods for repair please contact our Customer Service Department. They will be able to advise you on the correct returns procedure.

Any item returned to Land Instruments International should be adequately packaged to prevent damage during transit.

You must include a written report of the problem together with your own name and contact information, address, telephone number, email address etc.

Design and Manufacturing Standards



The Quality Management System of Land Instruments International is approved to BS EN ISO 9001 for the design, manufacture and on-site servicing of combustion, environmental monitoring and non-contact temperature measuring instrumentation.



Approvals apply in the USA

CE This instrument complies with current European directives relating to Electromagnetic Compatibility 89/336/EEC, Low Voltage Directive 73/23/EEC, and ATEX Directive 94/9/EC

Operation of radio transmitters, telephones or other electrical/electronic devices in close proximity to the equipment while the enclosure doors of the instrument or its peripherals are open, may cause interference and possible failure where the radiated emissions exceed the EMC directive.

The protection provided by both CE and IP classifications to this product may be invalidated if alterations or additions are made to the structural, electrical, mechanical or pneumatic parts of this system. Such changes may also invalidate the standard terms of warranty.

Copyright

This manual is provided as an aid to owners of Land Instruments International's products and contains information proprietary to Land Instruments International. This manual may not, in whole or part, be copied, or reproduced without the expressed written consent of Land Instruments International Ltd.

Copyright © 2012 Land Instruments International.

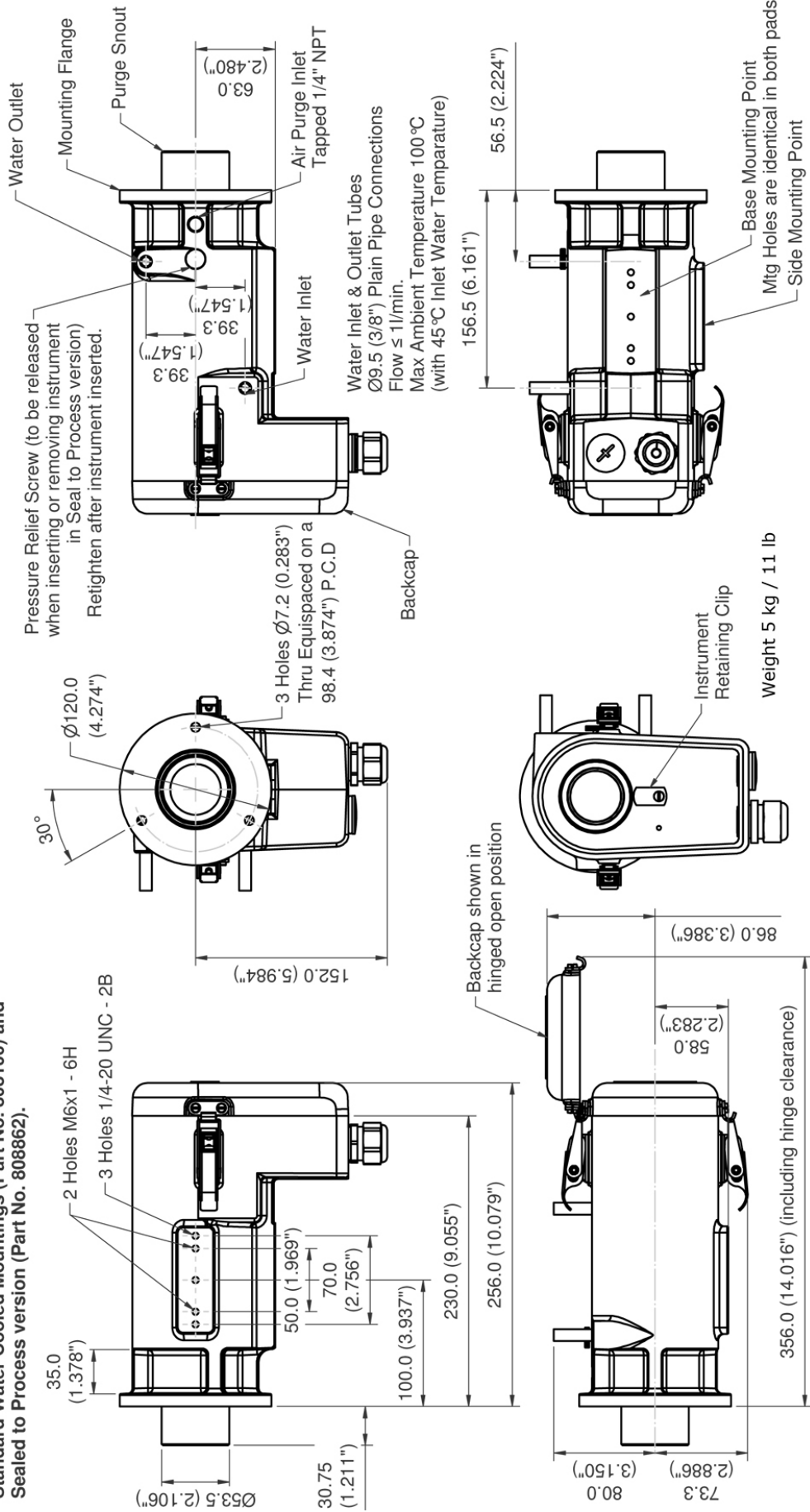
Contents

1	Installation Dimensions	1
1.1	Water Cooled Jacket Installation Dimensions	1
1.2	Pan & Tilt Mounting Installation Dimensions	2
1.3	Emissivity Enhancer Installation Dimensions	3
2	Installing the SPOT Thermometer in the Water Cooled Mounting	4

1 Installation Dimensions

1.1 Water Cooled Jacket Installation Dimensions

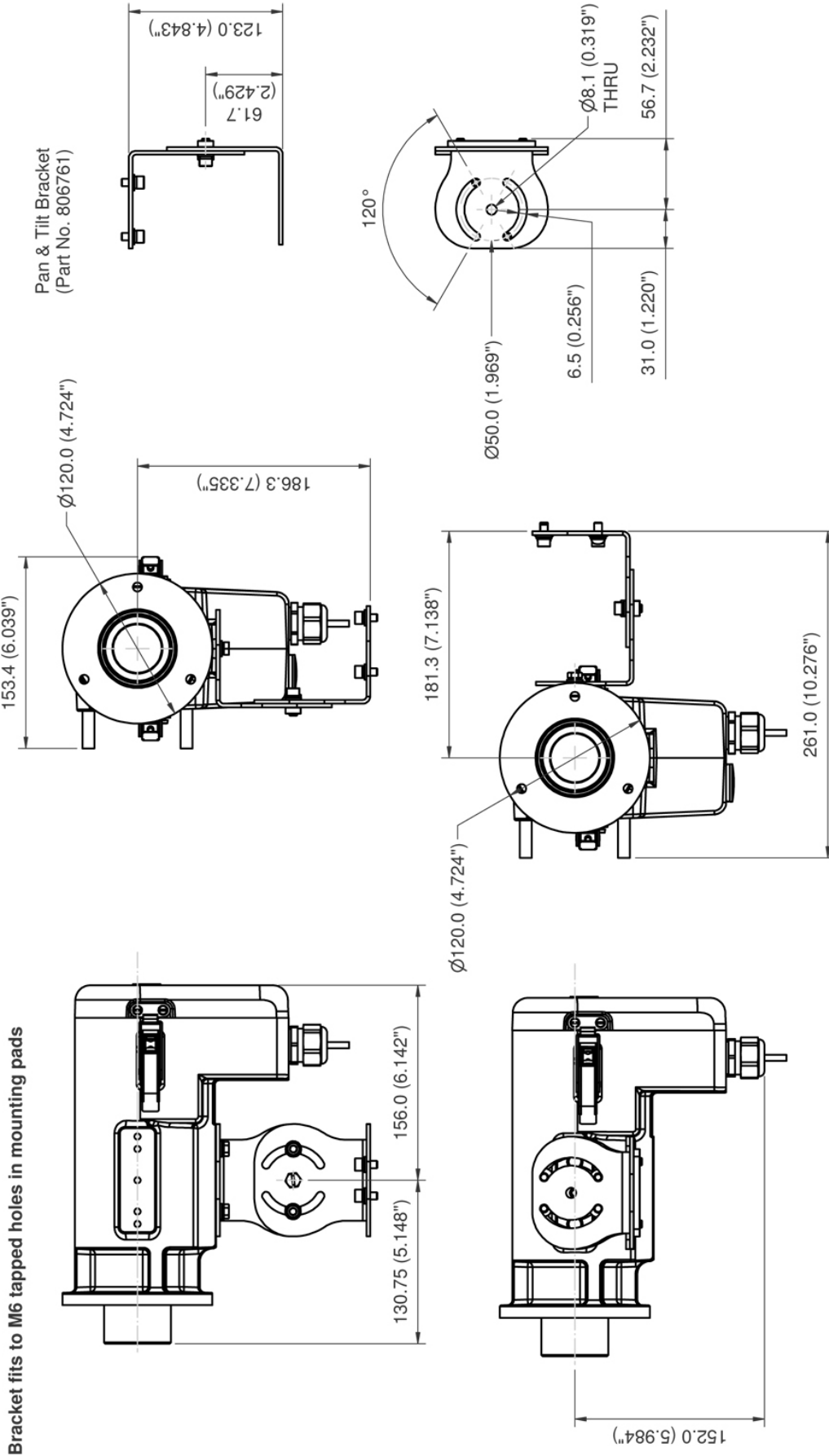
Standard Water Cooled Mountings (Part No. 808100) and Sealed to Process version (Part No. 808862).



Mountings can be used with Pan & Tilt Bracket (Part No. 806761).

Weight 5 kg / 11 lb

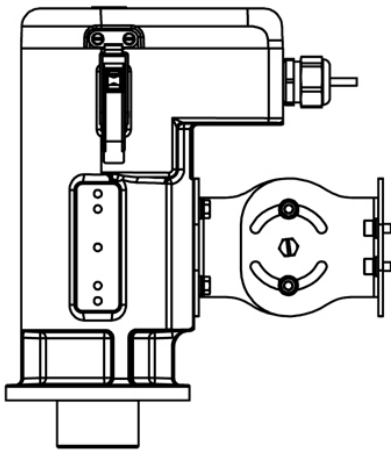
1.2 Pan & Tilt Mounting Installation Dimensions



Bracket fits to M6 tapped holes in mounting pads

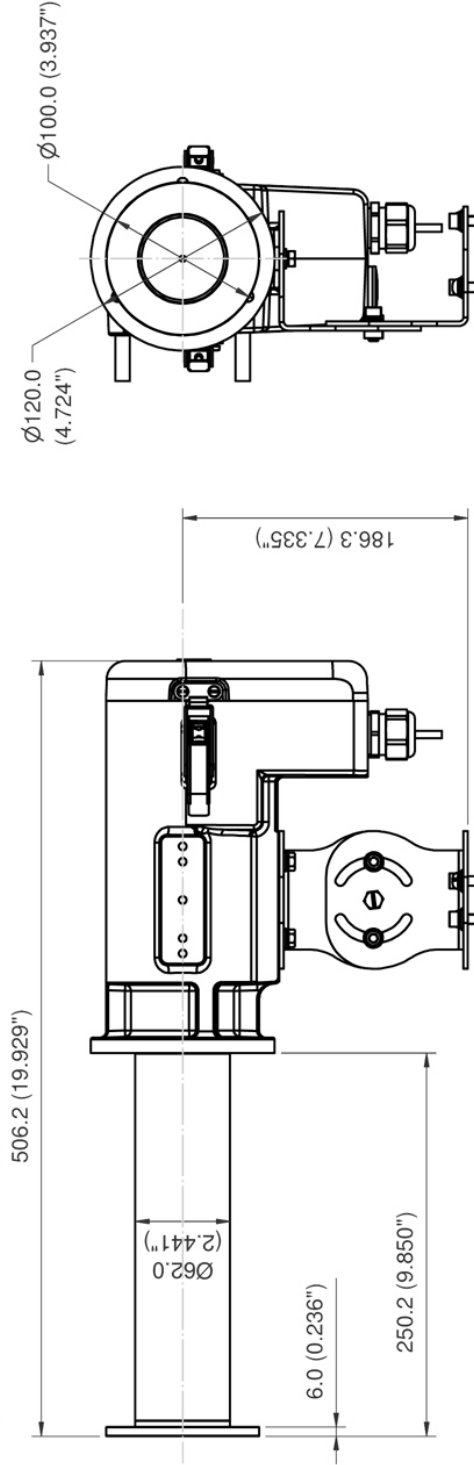
1.3 Emissivity Enhancer Installation Dimensions

Step 1. Unscrew Purge snout from Water Cooled Mountings (Part No. 808100)
Discard purge snout.



Emissivity Enhancer/Water Cooled Mountings shown
with optional Pan & Tilt Bracket (Part No. 806761).

Step 2. Screw in Emissivity Enhancers (Part No. 808268) to Water Cooled Mountings
Secure with threadlock (Loctite 222, 243 or similar)



2 Installing the SPOT Thermometer in the Water Cooled Mounting

Note

The instructions above cover the installation of a SPOT Thermometer with a Power over Ethernet (PoE) cable. If you are using an Analog cable, simply swap over the Cable Gland and Blanking Plug in the Water Cooled Mounting and connect to the analog connector on the Spot Thermometer.

If you intend to use both PoE and Analog cables, you will need to replace the Blanking Plug with another Cable Gland (Contact Land Instruments International).

- 1) Fig. 2-1 shows a SPOT Thermometer, with Water Cooled Mounting and Power over Ethernet (PoE) cable.



Fig. 2-1

- 2) Unclip the fastener on the Water Cooled Mounting and open the hinged Back Cap (Fig. 2-2).



Fig. 2-2

- 3) Insert the SPOT Thermometer into the Water Cooled Mounting and secure it in place with the Sprung retainer clip. (Fig. 2-3).



Fig. 2-3

- 4) Unscrew the cable gland shell and split bush from the Water Cooled Mounting. Slide the PoE Cable through the gland shell and fit the split bush between the gland shell and the connector (Fig. 2-4).

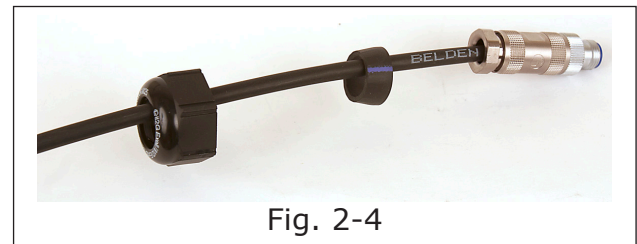


Fig. 2-4

- 5) Slide the PoE Cable through the cable gland and attach it to the Thermometer connector (Fig. 2-5).
- 6) Slide the split bush into the cable gland and tighten the gland shell. Make sure that the cable is not stretched. Do not over-tighten the gland shell.



Fig. 2-5

- 7) Close the hinged Back Cap and secure it in place with the fastener (Fig. 2-6). The Thermometer is now installed in the Water Cooled Mounting.



Fig. 2-6

LAND

AMETEK[®]
PROCESS & ANALYTICAL INSTRUMENTS

PRODUCT WARRANTY

Thank you for purchasing your new product from Land Instruments International. This Land manufacturer's 'back-to-base' warranty covers product malfunctions arising from defects in design or manufacture. The warranty period commences on the instrument despatch date from the Land Instruments International Ltd. factory in Dronfield, UK.

36 MONTHS WARRANTY



Building upon the reputation for reliability and longevity that System 4 and UNO thermometers have earned, Land are delighted to be able to provide our customers with an industry-leading 36 month warranty for the following products:-

- System 4 thermometers, processors, accessories and mountings and special instruments based on System 4.
- UNO thermometers, accessories and mountings and special instruments based on UNO.
- Application-dedicated processors based on LANDMARK[®] Graphic.
- ABTS/S and ABTS/U
- FTS
- VDT/S and VDT/U
- DTT
- FLT5/A

This 36 month warranty is provided as standard for all orders for the products listed above received from 1st May 2002.

We believe that our customers expect us to set the standard in terms of performance, quality, reliability and value for money. This 36 months warranty, as a part of an on-going program of continuous improvement, is just one way in which Land strive to maintain our position as the temperature measurement partner of choice.

24 MONTHS WARRANTY

The following Land Instruments International products are provided with a 24 months warranty:

- ARC.
- FTI-E
- NIR

12 MONTHS WARRANTY

All Land Instruments International products not provided with either a 36 month or 24 month warranty (see lists above), are provided with a 12 months warranty.

PRODUCT WARRANTY

EXCLUSIONS FROM WARRANTY

It should be noted that costs associated with calibration checks which may be requested during the warranty period are not covered within the warranty.

Land reserve the right to charge for service/calibration checks undertaken during the warranty period if the cause is deemed to fall outside the terms of the warranty.

This Land manufacturer's warranty does not cover product malfunction arising from:-

- incorrect electrical wiring.
- connection to electrical power sources outside the rating of the product.
- physical shock (being dropped, etc.) and impact damage.
- inappropriate routing, support, physical shock & strain protection, etc. of the lightguide (Fiberoptic thermometers only).
- environmental conditions exceeding the IP / NEMA rating of the product.
- environmental conditions outside the Ambient Temperature, Humidity and Vibration rating of the product.
- environmental contamination (solvent vapours, deposition of airborne contamination, cooling liquids of non-neutral pH, etc.).
- overheating as a result of interruption of water/air flow through cooling jackets or of incorrect installation.
- inappropriate modification of product (drilling holes in thermometer bodies, etc.).
- inappropriate recalibration which results in product calibration being taken outside specification.
- improper resealing of thermometer following parameter adjustment (UNO, FLT5/A, etc.).
- attempted repair by a non-Land-authorized repair centre.

Land Instruments International Ltd • Dronfield S18 1DJ • England • Tel: +44 (0) 1246 417691 • Fax: +44 (0) 1246 410585
Email: land.infrared@ametech.co.uk • www.landinst.com

AMETEK Land, Inc. • 150 Freeport Rd. • Pittsburgh, PA 15238 • U.S.A. • Tel: +1 (412) 826 4444
Email: irsales@ametech.com • www.ametek-land.com
