

Product Overview



Index

Company Overview

Compac Mk5 Stainless Steel Lifter

Compac Range of Attachments

- Single Spindle
- Twin Spindle
- Platform
- Rotary Tray
- Cradle
- Vertical Spindles
- Clamps
- Lifting Frame

Compac Case Studies

- Bespoke Solutions
- Trolleys, Dollies and Frames

Stainless Steel Pallet Trucks & Highlifter

- Pallet Trucks
- Pallet Trucks for Explosive Atmospheres
- Highlifter
- Highlifter for Explosive Atmospheres

Heavy Duty Stackers & Lifters

- Heavy Duty Stacker Range

Heavy Duty Stackers & Lifters Attachments

- Bespoke Specials Services & Overview
- Twin Spindle
- Vertical Spindle Attachment
- Clamp Attachments
- Platform
- Crane Jibs

Vacuum Lifters

- Two joint swing arm
- Gold Wing

Company Overview

Providing the Solution

Packline has been manufacturing materials handling systems since 1993 and with its Compac range of Stainless Steel Lifters has established itself as one of the UK's leading suppliers of Materials Handling Equipment for the Food, Dairy, Pharmaceutical and Medical Processing Industries.

The Compac range of lifters coupled with its comprehensive range of interchangeable attachments provides handling solutions for most applications found in today's production environments.

Packline are also supplier of mild steel and stainless steel stacker trucks, high lifters and pallet trucks. The stackers come with the option of forks or a range of attachments to suit both warehouse and industrial needs.

New in 2009 has seen the addition of our vacuum lifter range and overhead handling systems widening our services and solutions enabling to solve a wide range handling and lifting problems for our customers and all industries.



Bespoke Designs to Suit Your Needs

Our Compac range of lifters are built to order allowing our sales team to ensure that you get the correct solution for your needs. The companies in house design facility, equipped with the latest edition of Solidworks and its own workshop enables cost effective solutions to be realised within short lead times.



Compac Stainless Steel Lifter

The Mk5 Compac Mobile Lifter

Designed to lift, transport and position loads the Compac has been the name associated with top quality, reliable, stainless steel, lifters for many years and the latest model the Mk5 has been developed following extensive market research into the lifting and handling needs of today's modern production environment

The Compac is flexible in design, ergonomic, operator friendly, easy to use and with its range of features and functionality it meets the needs of today's lifting requirements

Stainless Steel Construction

Primarily manufactured from stainless steel, the Mk5 is ideal for industries where hygiene and resistance to chemicals is of paramount importance including:-

- Food & Dairy
- Medical
- Chemical
- Pharmaceutical
- Cosmetic



Quality of Build and Reliability

Engineered and tested to our own exacting quality standards and using only fully approved components the Compac has been designed to provide a low maintenance, reliable machine, that has been built to last

Fully Tested and CE Marked

Considering operator safety at all times the Compac Mk5 has been designed to meet the latest international health & Safety directives, CE approved with supporting risk assessment, technical files and documentation



Model Range

Available in three standard models with maximum lifting capacities of **60kg, 150kg and 300kg** along with a variety of frame configurations and a comprehensive range of interchangeable attachments makes the Compac an ideal choice for most lifting applications

Compact and Manoeuvrable

With a small footprint and easy operation, the Mk5 can be used in the confined work spaces and narrow production lines found in many of today's modern manufacturing environments

12volt Powered Lifting

The Compac MK5 is powered by 12v dc battery operated system with the carriage lift being generated from a motor driven precision ballscrew eliminating the need to use any hydraulics and consequent risk of oil leaks

Compac Stainless Steel Lifter

Features and Benefits

The Mk5 Compac has been designed to ensure ease of use, reliability and operator safety

Safety

Great care has been taken with the design of the new Compac to ensure it meets with the latest health and safety directives features including

The Control Panel

The control panel has been designed to house all instrumentation, auxiliary, and information in one central area visible at a glance to the operator these include:-

- Emergency Stop Button
- Charging Socket with Dust Proof Cover - Either 240v or 110v charging systems can be offered as standard
- Battery Condition Metre and Charging Light
- Overload Warning Light - The provision of an integral electronic overload trip isolates the machine should it's capacity be exceeded
- Information Panel including Capacity Ratings - This information is fully visible to the operator



Castor Guards

Guards are attached to the Rear Castors to prevent accidental crushing of operator's feet

Compac Stainless Steel Lifter

Ergonomics

To ensure operator comfort, safety and limit fatigue the Mk5 Compac has been designed around the relevant British standards and ergonomic guide lines. Specific areas of consideration include:-

User Friendly Handle bars

The Horizontal and Vertical sloping handlebars have been ergonomically designed to provide for operator comfort whilst offering maximum control



Handheld Control Unit (Optional)

The Compac can be supplied with a Handheld Control Unit allowing the Operator greater flexibility when positioning loads or aligning attachments

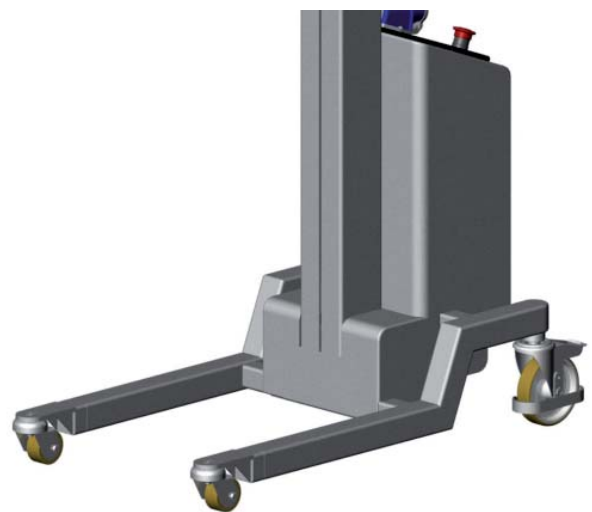
The control unit is connected to the Compac by a flexible cord and is housed firmly inside a holster on the machines centre crossbar

The controls can be either used in the fixed position or removed from the holster and used remotely by the operator

Interchangeable Wheels

A series of interchangeable wheels are available to cater for different applications, clearance heights and pallets types. These include:-

- Swivel Castors
- Fixed Pallet Wheel
- Rocking Pallet Wheel



Single Spindle Attachment

Single Spindle Attachment

The Single Spindle Attachments have been designed to provide a simple means of lifting and transporting reels using the reel's core for support

Constructed from Stainless Steel the attachment is suitable for hygienic and clean room applications

Die Block Attachment

By adding the optional Die Block attachment the spindle can be used for the safe removal of die blocks and tooling from production machinery

Comprehensive Range

Available in a wide range of lengths and diameters enables the right solution to be provided for most applications

Fully Interchangeable

Packline's full range of attachments are fully interchangeable and can be easily fixed or removed from any model of Compac fitted with the unique quick release system

This quick release system enables one Compac to be used with multiple attachments providing an economical solution to a range of applications

CE Marked and Fully Tested

Every design is fully tested, CE marked, supported by a detailed technical file meeting the latest legislation and health & safety directives



Twin Spindle Attachment

Twin Spindle Attachment

The Twin Spindle Attachments have been designed to provide a simple means of lifting and transporting reels by the reel's diameters

Constructed from Stainless Steel the attachment is suitable for hygienic and clean room applications

Comprehensive Range

Available in a wide range of lengths and diameters as standard coupled with the companies full bespoke design service enables the right solution to be provided for most applications

Fully Interchangeable

Packline's full range of attachments are fully interchangeable and can be easily fixed or removed from any model of Compac fitted with the unique quick release system

This quick release system enables one Compac to be used with multiple attachments providing an economical solution to a range of applications

CE Marked and Fully Tested

Every design is fully tested, CE marked, supported by a detailed technical file meeting the latest legislation and health & safety directives



Platform Attachment

Platform Attachment

The Platform Attachment is suitable for lifting and positioning loads such as Reels, Drums, Components, Boxes, Containers, Tooling, Assemblies, etc. Applications include work positioning on assembly lines and work areas

Constructed from Stainless Steel the attachment is suitable for hygienic and clean room applications

Comprehensive Range

Available in a wide range of sizes as standard and backed up by a full bespoke design service ensures the right solution can be provided for most applications

Fully Interchangeable

Packline's full range of attachments are fully interchangeable and can be easily fixed or removed from any model of Compac fitted with the unique quick release system

This quick release system enables one Compac to be used with multiple attachments providing an economical solution to a range of applications

CE Marked and Fully Tested

Every design is fully tested, CE marked, supported by a detailed technical file meeting the latest legislation and health & safety directives



Rotary Tray Attachment

Rotary Tray Attachment

The Rotary Tray Attachment has been designed to support loads and allow them to rotate in the horizontal plane through 360° suitable for lifting and positioning loads such as Reels, Drums, Sacks, etc

Constructed from Stainless Steel the attachment is suitable for hygienic and clean room applications

Comprehensive Range

Available in a wide range of sizes as standard and backed up by a full bespoke design service ensuring the right solution can be provided for most applications

Fully Interchangeable

Packline's full range of attachments are fully interchangeable and can be easily fixed or removed from any model of Compac fitted with the unique quick release system

This quick release system enables one Compac to be used with multiple attachments providing an economical solution to a range of applications

CE Marked and Fully Tested

Every design is fully tested, CE marked, supported by a detailed technical file meeting the latest legislation and health & safety directives



Cradle Attachment

Cradle Attachment

The Cradle Attachments have been designed to lift and transport reels by supporting mandrels positioned through the reels core

Constructed from Aluminium and Stainless Steel the attachment is suitable for hygienic and clean room applications

Comprehensive Range

Available in a wide range of configurations as standard and backed up by a full bespoke design service ensures the right solution can be provided for most applications

Fully Interchangeable

Packline's full range of attachments are fully interchangeable and can be easily fixed or removed from any model of Compac fitted with the unique quick release system

This quick release system enables one Compac to be used with multiple attachments providing an economical solution to a range of applications

CE Marked and Fully Tested

Every design is fully tested, CE marked, supported by a detailed technical file meeting the latest legislation and health & safety directives



Vertical Spindle Attachment - Manual

Vertical Spindle

Used to lift and rotate reels of film by gripping the reels' core the Vertical Spindle is available in a wide range of sizes and configurations as standard and capable of lifting loads up to 300kg. This Vertical Spindle can be rotated about 360 degrees manually to reposition reels simply from pallet to machine

For applications outside of the standard range the company provides a full bespoke design service offering solutions for most applications

Packline's full range of attachments are fully interchangeable and can be easily fixed or removed from any model of Compac fitted with the unique quick release system

Overview:-

- Available with Manual Rotation
- Load Capacity up to 300kg
- Suitable for reel core diameters of 70mm, 75mm, 150mm as standard
- Built in Torque Limiter to ensure correct gripping pressure is applied to the reels's core
- Constructed mainly from anodized aluminium, stainless steel, brass and acetal making it suitable for hygienic and clean room applications



Vertical Spindle Attachment - Geared

Vertical Spindle

Used to lift and rotate reels of film by gripping the reels' core the Vertical Spindle is available in a wide range of sizes and configurations as standard and capable of lifting loads up to 300kg. This Vertical Spindle can be rotated about 360 degrees using the hand wheel to reposition reels simply from pallet to machine

For applications outside of the standard range the company provides a full bespoke design service offering solutions for most applications

Packline's full range of attachments are fully interchangeable and can be easily fixed or removed from any model of Compac fitted with the unique quick release system

Overview:-

- Available with Manual Rotation
- Load Capacity up to 300kg
- Suitable for reel core diameters of 70mm, 75mm, 150mm as standard
- Built in Torque Limiter to ensure correct gripping pressure is applied to the reels's core
- Constructed mainly from anodized aluminium, stainless steel, brass and acetal making it suitable for hygienic and clean room applications



Vertical Spindle Attachment - Variations



For Extended Reach



For Longer Reels



For Mechanical Ejection



For Longer and Larger Diameter Reels



For Short Reels and Where Lower Reach is Required



Fully Stainless Application

Clamp Attachment - Manual or Geared Rotation

Clamp Attachment

Used for gripping loads by the diameter or circumference such as reels, drums, barrels etc and rotating to any position through 360°deg

For applications outside of the standard range the company provides a full bespoke design service offering solutions for most applications

Packline's range of attachments are fully interchangeable and can be easily fixed or removed from any model of Compac fitted with the unique quick release system

Overview:-

- Loads capacity up to 300kg
- Fitted with rubber rollers to provide maximum grip and assist alignment
- Suitable for load diameters of up to 850mm as standard
- Built in Slip Torque mechanism to ensure correct gripping pressure is applied preventing over tightening and damage to load
- Constructed mainly from anodized aluminium, stainless steel, brass and acetal



Clamp Attachment - Drums Manual or Geared Rotation

Drum Clamp Attachment

Used for gripping loads by the diameter or circumference such as drums and barrels etc and rotating to any position through 360°deg

For applications outside of the standard range the company provides a full bespoke design service offering solutions for most applications

Packline's range of attachments are fully interchangeable and can be easily fixed or removed from any model of Compac fitted with the unique quick release system

Overview:-

- Loads capacity up to 300kg
- Fitted with rubber pads to provide maximum grip and assist alignment
- Suitable for load diameters of up to 850mm as standard
- Built in Slip Torque mechanism to ensure correct gripping pressure is applied preventing over tightening and damage to load
- Constructed mainly from anodized aluminium, stainless steel, brass and acetal



Forward Tipping Clamp Attachment Manual and Geared

Forward Tipping Clamp Attachment

Used for gripping loads by the diameter or circumference such as reels, drums, barrels etc and rotating via the hand wheel or handles to any forwards position through 360°deg.

For applications outside of the standard range the company provides a full bespoke design service offering solutions for most applications

Packline's range of attachments are fully interchangeable and can be easily fixed or removed from any model of Compac fitted with the unique quick release system

Overview:-

- Loads capacity up to 300kg
- Fitted with rubber rollers or pads to provide maximum grip and assist alignment
- Built in Slip Torque mechanism to ensure correct gripping pressure is applied preventing over tightening and damage to load
- Constructed mainly from anodized aluminium, stainless steel, brass and acetal



Lifting Frame

Lifting Frame

Designed for loading and unloading longer reels this attachment provides a secure platform for transporting reels in the horizontal

The operator is required to roll the reel onto the platform and then close the frame ensuring that the reels cannot roll off of the platform whilst transporting

This attachment and lifter have been used to load and unload reels from the popular 'Octopus' stretch film wrapping machines

Ensuring that the appropriate footprint is used the attachment can be lowered to pallet level ensuring that reel transfer is as easy as possible

The lifting frame's design can be altered in platform size, reach and height to suit the needs of most applications



Bespoke Solutions

Extended Reach

All attachments can be extended using longer location blocks if a higher reach is required and a taller column cannot be used due to over head restrictions

Dual Column

If a complete height range increase is required then the dual column is used

This allows for the extended reach but also ensure that the lowest position can also be used



Bespoke Solutions

Overhead Reel Clamp

Designed for unloading reels from a pallet and then loading on to a trolley with the core free for a mandrel, this variation on the standard clamp works simply and effectively to carry out the task

The low profile pads mean that the reel can be loaded onto the trolley when there is limited space around the trolley framework



Mixer Head Lifting

This attachment was designed to lift a range of mixer heads in a safe a reliable way

The boom arm attachment lifts the mixer head in and out of mixing vessels

There are three different attachment sizes in this range and the current design will lift up to 110kg

The lifter has been designed to have wide enough legs to straddle the vessels as access underneath is often restricted

Bespoke Solutions



Battery Lifting

Battery lifting can be common place in a number of different industries. For this bespoke project batteries were being stored and replaced for charging in shelving of different depths and heights. The lifter was designed to take three different attachment lengths to reach all the required shelving along narrow walkways

The attachments were light weight so that they could easily be interchanged as required

The lifter required counterbalancing, which was achieved by adding the counterbalance boxes to each side of the enclosure case

The customer can also choose the remote control option so that the operator can stand to one side of the lifter to guide the attachment into position

Exhaust Lifter

Working with a leading car manufacturer we were able to develop a lifter and attachment to handle their exhausts

Each exhaust came in three separate parts and so this attachment was required to work as an assembly platform as well as an aid when fitting the exhaust to the vehicle

The attachment was required to tilt to allow the fitters to attach the exhaust in the required fashion

The wider base lifter ensured that the system was stable when loaded and tilted

Working with CAD information provided by the customer, ensured that the initial design was suitable for the task in hand before even the first exhaust had been manufactured and tested

This meant that the customer was able to use the lifter and attachment from day one of the new production line



Bespoke Solutions

Wheel Lifter

Designed and produced for lifting and positioning wheels onto the Rolls-Royce Phantom

Working closely with engineers at Rolls-Royce, Packline developed a custom-built lifting/positioning solution for the legendary car manufacturer

The product lifts the wheels and also positions them for increased speed and accuracy when hand-bolting them to the wheel hub

Particular care was taken in the design of the attachment to ensure that it could not damage the expensive bodywork during the assembly operation

The Compac Lifter was also purpose designed with the addition of counter balance weight attached to the side of the machine

The counter balance provided the stability allowing the extended reach of the attachment necessary to position the wheel ready for assembly



Harness Lifter

Developed for use by Rolls-Royce Motor Company on their vehicle production line

The harness lifter was designed to lift and position bagged harness kits weighing 45kg into the vehicles chassis ready for assembly by production staff

The attachment incorporated a lockable swinging arm arrangement to assist operators site the harness in the correct position within the vehicle

The Compac lifter and attachment were designed to protect the vehicles bodywork against damage during use by incorporating padded handle bars and rubberised buffers mounted the Compac's frame

The Compac machine was chosen for its small foot print, ease of use and high degree of manoeuvrability

Trolleys, Dollies and Frames

Reel Trolley

To improve efficiency during the packaging process of pharmaceuticals, a leading pharmaceutical company requested that we work with them to design a trolley to transport reels of material and dock into their existing manufacturing line

By loading the reel onto the trolley, and having purchased three trolleys, the operator would always have a reel loaded and ready to swap once one reel had run out on the packaging line

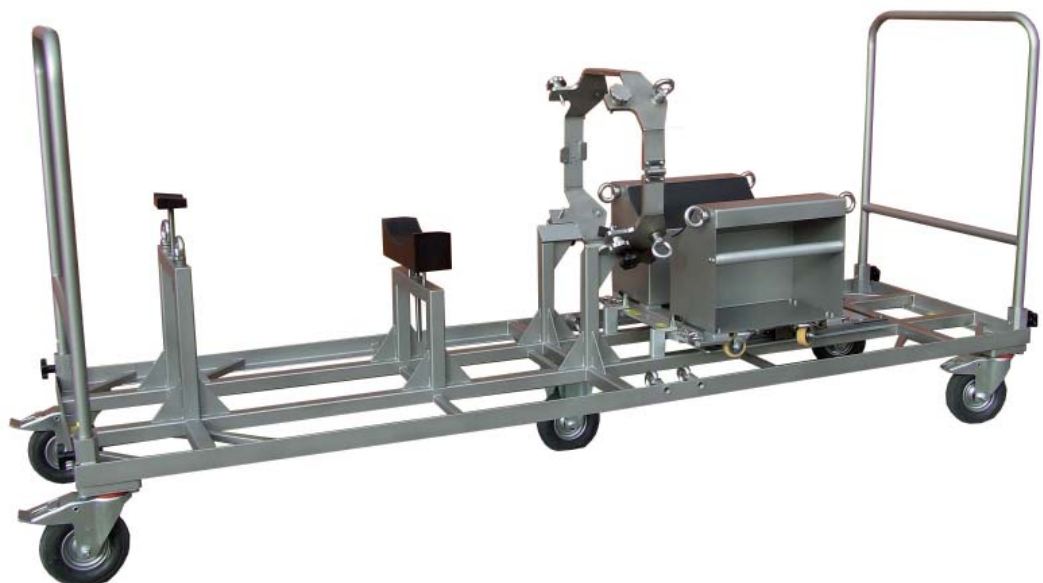
The trolleys were ergonomically designed to suit the users and were simple to dock. Different sized reels were required on this particular line and so the design included adjustable collars to ensure that the reel was loaded correctly every time



Tooling Trolley

Packline developed this trolley for a customer who required transporting their items for testing in a number of environments. The frame was made from stainless steel 316 as there was a chance that the trolley may come into contact with sea water

All support pads were fully adjustable to allow for changes in the design of the items being transported. The handle bars were also removable to be able to gain access to the item from either end for testing



Trolleys, Dollies and Frames

Material Trolley

Packline can offer a bespoke design service to find the right trolley solution for you and have it manufactured to our high standards here in the U.K

Mobile or static trolleys have been designed and manufactured previously to store a range of items including reels, drums and tooling



Docking Station

Docking Station trolleys are advised when more than one attachment is being used on one lifter or the attachment is going to regularly be removed from the lifter for any reason

Each docking station is built to suit the attachments that require docking

The simple lightweight design means that installation is easy and with its adjustable levelling feet can be set up on most factory floors

Slave Pallets

There are occasions when a slave pallet may be required to raise a standard pallet to gain greater access underneath the pallet for lifter legs

Once again Packline build these to order to suit all pallet requirements. There are a number of different pallet sizes and shapes to suit all industries and Packline can help provide a solution for all



Stainless Steel Highlifters & Pallet Trucks

BASIC BF / JF

Basic - quality for light use

The Basic range offers you two trucks, for which the price is adjusted to the quality; The Basic pallet truck which is very easy to operate and maintain, and the Basic highlifter which can transport and lift a pallet to the ergonomically correct working height

Both pallet truck and highlifter are very manoeuvrable and can contribute to a better utilisation of space in storage and production areas. The Basic pallet truck and the highlifter are strong and very durable.



PLFS & PLPS Range Stainless Steel Pallet Trucks

Available in both full and part stainless construction

The Packline range of stainless products has been developed for use in aggressive and clean room environments where hygiene demands are of the utmost importance

Ideal for the Food, Pharmaceutical, Medical and Chemical Industries

Wherever possible the pallet truck had been designed to eliminate dirt traps and facilitate ease of cleaning thereby minimising the risk of bacterial contamination



Stainless Steel Highlifters & Pallet Trucks

HLM & HLP Range

Available in both full and part stainless versions with both manual and hydraulic pump and powered lift

The Packline range of stainless Highlifters have been designed for use in aggressive and clean room environments where hygiene demands are of the utmost importance

Ideal for the Food, Pharmaceutical, Medical and Chemical Industries

Where every possible the Highlifters has been designed to eliminate dirt traps and facilitate ease of cleaning thereby minimizing the risk of bacterial contamination



HLMSX Range

Stainless Highlifter for use in Explosive Atmospheres

The HLMSX range of Highlifter has been designed specifically for use in explosive atmospheres

The Highlifters and their safety systems are manufactured in conformance with the stipulations laid down in the directive No. 94/9/EC (ATEX 100A) and the standard EN-1775

Manual trucks used in explosive atmospheres have to meet the ATEX directive

The Highlifters are categorised in equipment group II and are suitable for areas classified as Zone 1, this means in areas in which an explosive atmosphere is generated occasionally due to the presence of different gases, vapours or mist



Ergonomically designed that range of Highlifters helps prevent industrial injury and operator strain. The Handle bars have been shaped to provide optimum comfort and control

Each Highlifter is manufactured to the latest quality standards and fully tested to ensure both reliability and operational safety

Stainless Steel Heavy Duty Lifters

Heavy Duty Lifters

The Heavy Duty Lifters in Stainless Steel have a capacity up to 1000kg

They come as manual propulsion units with either manual or electric lift via the hydraulic cylinder

Telescopic masts mean that the lifter can raise loads up to 3200mm depending on the type of attachment

Fork come as standard but Packline can offer a full range of bespoke attachment that are easily interchangeable to suit all your handling requirements

Fixed wheels at the front of the lifter and rear swivel castors means that even with heavy loads the lifter is easy to steer and manoeuvre in production facilities

Explosion proof trucks are also available for those environments that an ATEX rated lifter -*please contact the office for further information*



Heavy Duty Lifters

Heavy Duty Lifter Model Overview

Packline offer a full range of Heavy Duty Stacker Trucks with capacities up to 1200kg

Complete with a comprehensive selection of attachments and a full bespoke design service there are models available to suit most handling applications

Models:-

HDM/HDMS Series Manual Stacker Trucks

Manual lift and Manual propulsion with load capacities up to 1000kg available in a range of sizes and configurations



HDP/HDPS Series Powered Lift Stacker Trucks

Powered lift and Manual propulsion with load capacities up to 1200kg available in a range of sizes and configurations



HDFP/HDFPS Series Fully Powered Stacker Trucks

Providing both powered lift and propulsion with load capacities up to 1200kg available in a range of sizes and configurations



Heavy Duty Lifters

Bespoke Special Service

Packline offer a full bespoke special attachment design and modification service for the range of Heavy Duty Trucks

Wide Range of Handling Solutions

The service provides it's customers with a wide range of bespoke handling solutions not currently available through the standard range of products

With our current range of existing attachments and the full custom design service the company can provide solutions for a wide range of lifting applications including:-

- Reel Handling
- Drum & Barrel Lifting
- Boxes & Containers
- Pallets & Packaging
- Components & Assemblies
- Work Positioning
- Tooling

Cost Effective Custom Designs

Our Design facility equipped with the latest 3D CAD System and our workshops with the latest CNC manufacturing technology enables cost effective custom solutions to be provided in short lead-times

CE Marked and Fully Tested

Every design is fully tested, CE marked, supported by a detailed technical file meeting the latest legislation and health & safety directives



Custom Designed Clamp attachment for lifting, rotating and positioning awkward components



Heavy Duty Lifters

Twin Arbour Attachment

A wide range of special purpose Twin Arbour Attachments have been designed and produced to suit the range of Heavy Duty Lifters

Arbours can be fabricated directly to the lifter or supplied with the quick release system suitable for direct attachment to any machine fitted with a Flexline Carriage

Counter Balance

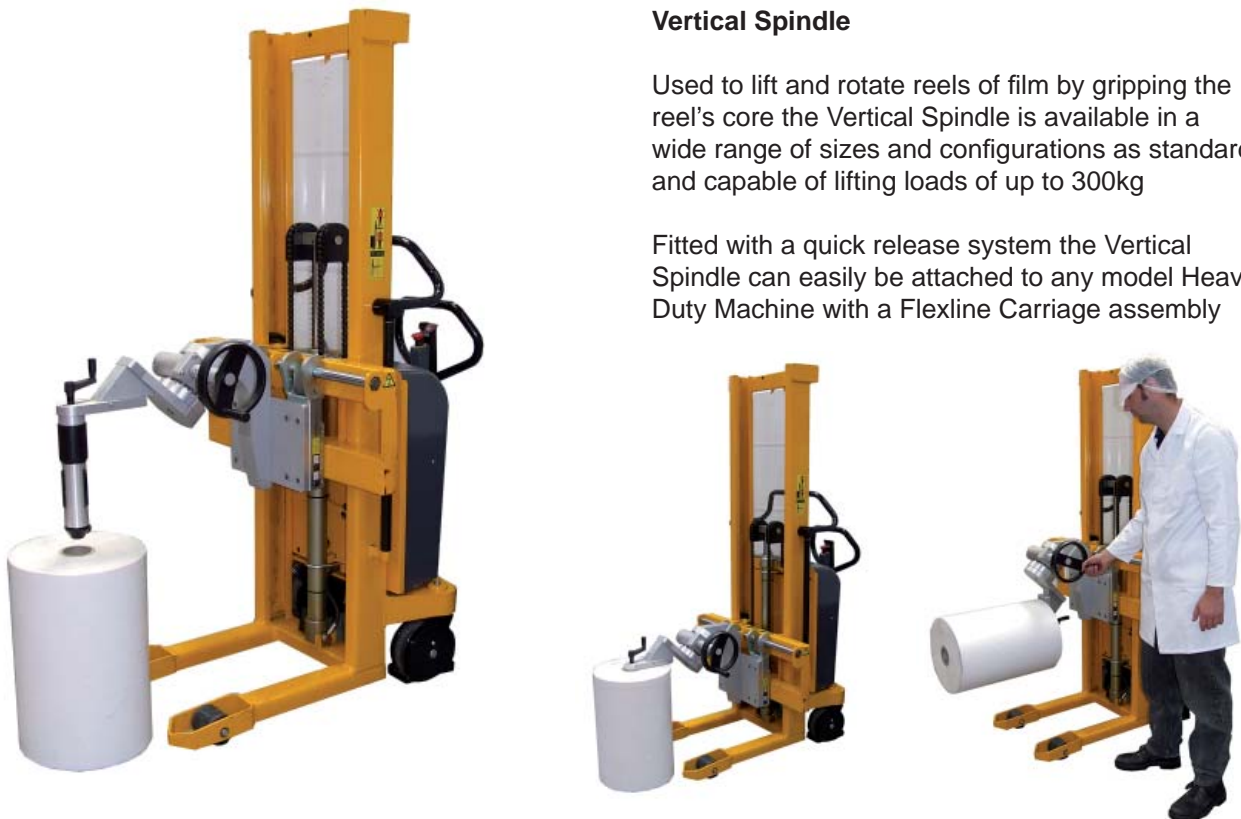
To facilitate different load and lift heights the machines can be counterbalanced to provide stability



Vertical Spindle

Used to lift and rotate reels of film by gripping the reel's core the Vertical Spindle is available in a wide range of sizes and configurations as standard and capable of lifting loads of up to 300kg

Fitted with a quick release system the Vertical Spindle can easily be attached to any model Heavy Duty Machine with a Flexline Carriage assembly



Heavy Duty Lifters

Drum Attachment

Designed to grip Drums/Barrels by the circumference and rotate to any position through 360 degrees

Fitted with a quick release system the Drum Attachment can easily be attached to any Heavy Duty Machine fitted with the Flexline Carriage



Clamp Attachment

Used for gripping loads by the diameter or circumference such as reels, drums, barrels etc and rotating to any position through 360 degrees both sideways and/or forwards

Fitted with a quick release system the Drum Attachment can easily be attached to any Heavy Duty Machine fitted with the Flexline Carriage



Heavy Duty Lifters

Heavy Duty Fixed Arm Clamp

This Clamp from Packline is one from the Heavy Duty Range

This style of clamp operates by having one fixed pad and one moving arm where the pad self aligns to grip the reel. The moving arm is operated via a linear actuator with built in torque unit to ensure that the appropriate level of grip is achieved. The actuator removes the need for hydraulics which are not suitable for some industries

The clamp can be rotated sideways via the hand wheel attached to the gearbox. This smooth rotation requires very little effort on behalf of the operator. The clamp can be rotated up to 180 degrees to reorientate reels easily

This range of clamps offers solutions for a number of reel sizes and loads up to 400kg



Heavy Duty Lifters

Platform Attachment

A wide range of special purpose Platform Attachments have been designed and produced to suit the range of Heavy Duty Lifters

Platforms can be fabricated directly to the machine or supplied with the quick release system suitable for direct attachment to any lifter fitted with a Flexline Carriage

Counter Balance

To Facilitate different load and lift heights the machines can be counterbalanced to provide stability



Crane Jib Attachment

A wide range of Crane Jib Attachments have been designed and produced to suit the range of Heavy Duty Machines

Crane Jibs can be fabricated directly to the stacker or supplied with the quick release system suitable for direct attachment to any machines fitted with a Flexline Carriage, types include:-

Fixed Position

Telescopic Multi Position - Manual Adjustment

Telescopic Multi Position - Hydraulic Operation



Vacuum Lifters

Packline Vacuum Lifters can be used in a number of different industries and environments

Their simple, safe and reliable functionality makes them a great option for any business wishing to improve or eliminate handling and lifting issues they are experiencing



Repeatedly lift and accurately place a wide variety of loads including paper and plastic sacks, boxes, crates and cartons, reels and drums

Wide range of suction heads are available to suit a wide range of applications

An electrically driven vacuum pump provides both lifting and suction functions

The units 360 degrees rotation on the Gold Wing and the hinged arm on the Two Joint Arm give a full range of movements

Hinged Arm on the Two Joint Swing Arm allows for full and accurate movement

Finger Tip Control – Vacuum heads have a ‘fingertip’ control bar so the operator uses minimum effort to move heavy loads

Safety Interlocks – in the event of a power failure the load is gently lowered to the ground before the suction head will release

Stainless Steel machines can be specified for use in the pharmaceutical and food industries

With minimal dust traps the unit is very easy to clean

With a remotely installed power pack the machines can also be installed in hazardous areas

Bespoke units can also be developed to suit the needs of all our customers



Vacuum Lifters

Our Vacuum lifters can be used to solve all number of handling issues.....



Sack Lifting



Warehouse Storage



Drum Transfer



Boxes for Pallet Loading



Stainless Applications



Box Transfer

Avoid Expensive Down Time ...

..... Send your unit back to us at Packline

Take advantage of Packline's Annual 'Back to Site' Maintenance Service Agreement

To ensure your Compac Lifting Equipment gives you years of trouble free service and complies with the Health and Safety directives let Packline take care of your annual servicing, maintenance and safety checks



Compac Maintenance and Service Agreement

The contract includes:-

- Collection from and return to your site
- All replacement wearing parts as recommended and shown in the Compac Operator Manual.
- Service Labour Costs
- A complete 28 point Health & Safety check
- A detailed "MOT" style report to meet with legislation and satisfy insurance assessments.
- 5 working day turnaround

Competitively priced please contact the office for further details

Note: - For those customers wishing to carry out their own annual maintenance the company offer product specific Service Packs.

**To take advantage of this offer please contact the office on
tel;- 01202 332017 or e-mail:- info@packline.co.uk**

Don't Have the Time to Send the Unit Back?...

..... We'll Send you our Service Engineer

Take advantage of Packline's Annual 'On Site' Maintenance Service Agreement

To ensure your Compac Lifting Equipment gives you years of trouble free service and complies with the Health and Safety directives let Packline take care of your annual servicing, maintenance and safety checks



Compac Maintenance and Service Agreement

The contract includes:-

- Service Engineer to attend your site
- All replacement wearing parts as recommended and shown in the Compac Operator Manual.
- Service Labour and Travelling Costs
- A complete 28 point Health & Safety check
- A detailed "MOT" style report to meet with legislation and satisfy insurance assessments.
- 1 day turn around *

Competitively priced please contact the office for further details

Note: - For those customers wishing to carry out their own annual maintenance the company offer product specific Service Packs.

* - Additional work over and above standard service schedule is chargeable additional parts outside of the service schedule will be charged at the standard spares rates, it may be necessary to send additional spare parts which are not carried from Head Office as and when availability permits

**To take advantage of this offer please contact the office on
tel;- 01202 332017 or e-mail:- info@packline.co.uk**

Packline Materials Handling

Unit 5
11-15 Francis Avenue
Wallisdown
Bournemouth
Dorset
BH11 8NX

Tel; 01202 332017
Fax; 01202 581176
E-mail; info@packline.co.uk
Website; www.packline.co.uk

