

Excellence in design, quality and function - suitable for every building



As a long established manufacturer, JU believe that carefully selected materials and highly trained workers are of essential importance to achieve the highest level of quality and reliability.

The factories operate under a strictly monitored system of quality control at all stages of manufacture.



Rigorous checks take place after each production step as would be expected in a modern factory plant concerned with constant quality.

JU postal box systems offer a successful harmony between aesthetics and functional requirements with designs to suit all applications.

The postal box systems are promoted via specifying authorities, architects and specialist consultants to the building industry and marketed by fully qualified suppliers, offering you an unrivalled service.



JU postal boxes are manufactured from hot-dip zinc steel sheet and aluminium offering maximum rust prevention.



Finally the powder coating layer is applied; you can choose between our standard colours white RAL 9016, grey aluminium RAL 9007, and dark brown (JU 209) or from the full RAL colour range which should meet almost any requirements.

Aluminium parts can be anodised in the colours EV1 silver, EV2 new silver, and EV3 gold.

Note: Most of our products are also available in stainless steel.



Mounting

Free standing banks can be delivered for either concreting in or bolting onto the floor with base plates. Please advise which kind of mounting is required.



Anti-vandalism

In some regions it may be necessary to choose the strengthened Anti-vandalism version. It provides stronger sheet steel, strengthened hinges, stronger mail removal protection and multiple lock bars. Other features include bell buttons in stainless steel, theft-proof nameplates and a punched speech grille.



Engravings and Logos

These can be applied according to your requirements. For special company logos a graphics file would be required.

We are certified according to ISO 9001



Our letter boxes and banks are fully compliant to the new DIN EN 13 724



Application of the DIN EN 13724

The DIN EN 13724 replaces the DIN 32617 and specifies the requirements and testing methods for the insertion openings, which apply in agreement with the instructions of the manufacturer. The DIN EN 13724 considers additionally the protection against breaking open, ergonomics and security for the user and the post man.

Series

Page

01



Adjustable boxes for through wall application

4 - 7

02



Composite postal boxes for use in entrance panels and through wall

8 - 13

03



Single boxes

14 - 15

04



Vertical letter boxes

16 - 20

08



Horizontal letter boxes

21 - 27

20



Surrounds and stands

28 - 31

21



Accessories

28 - 31

ADJUSTABLE POSTAL BOX FOR THROUGH WALL APPLICATION

◀ Series 01: Banks of letter boxes for through wall application

Sloping chute construction, frontplate and flap in various finishes. Chute and mail retrieval in hot-dip zinc steel sheet. Rear door powder coated. Comes complete with nameplate, cylinder lock and two keys.

- Suitable for different wall thicknesses because of extendable chutes.
- Installation boxes c/w bellpushes / speechgrille can be provided to your individual requirements.
- All banks of letter boxes are available also in high-grade Stainless Steel.
- Inscriptions and numerals can be engraved on receipt of your signed confirmation.

01
SERIES



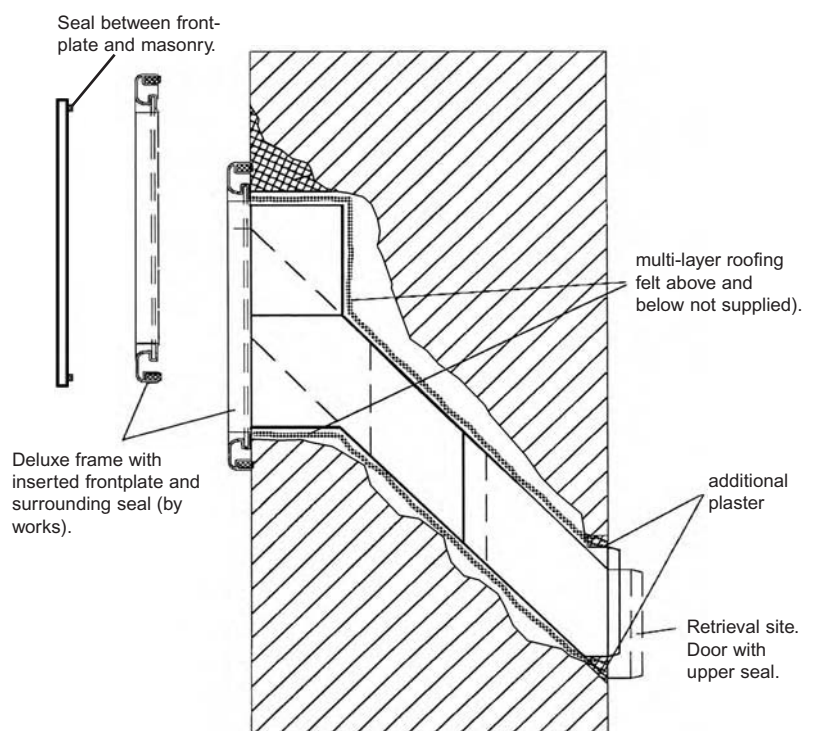
■ A few mounting hints

We recommend to cover the banks with roofing felt against wetness, especially when the bank is being built into porous stone or brickwork.

Generally avoid contact of anodised parts with cement and mortar, otherwise clean it immediately with pure water.

The frontplate must sit snugly against the wall it is fitted into, otherwise water could creep behind it. If fitted against stonework particular care must be taken to provide a flat surface for the frontplate to sit against. Please pay attention that the sealing rubber of the front frame is put in place carefully. A silicone seal can also be applied.

When the assembly work has been done, make good the brickwork and plaster as necessary.



ADJUSTABLE POSTAL BOX FOR THROUGH WALL APPLICATION

Chutes 250 x 100 x 260-380 mm or 380-500 mm

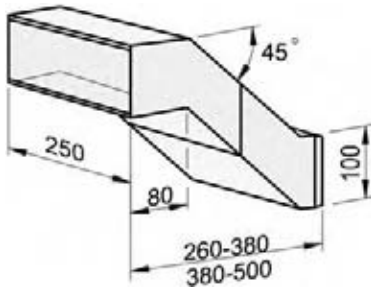
Aperture: 230 x 35 mm (DIN C4)

• This model complies to
DIN EN 13724

Model 01-100

01
SERIES

100

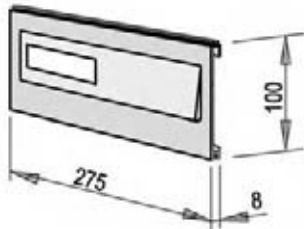


Item	EN13724 Compliance	Unit	Dimensions in mm: W x H x D			Model number
------	--------------------	------	-----------------------------	--	--	--------------

Chute, diagonal 260 - 380 mm extendable	•	Pcs.	250	100	260-380	01-115
---	---	------	-----	-----	---------	---------------

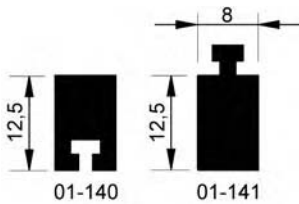
Chute, diagonal 380 -500 mm extendable	•	Pcs.	250	100	380-500	01-116
--	---	------	-----	-----	---------	---------------

Frontplate



Aperture Aluminium extruded section with assembly groove.		Pcs.	275	100		01-120
---	--	------	-----	-----	--	---------------

Aperture 230x35 mm (acc. DIN C4)
Comes complete with nameplate.



Top profile section Aluminium extruded section.		m	275	12,5		01-140
---	--	---	-----	------	--	---------------

Bottom profile section Aluminium extruded section.		m	275	12,5		01-141
--	--	---	-----	------	--	---------------

Profile sections for use with 01-120 frontplates

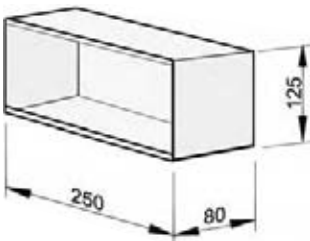


Frontplate, Aluminium , 3 mm thick one piece, without thermal separation, without flaps and accessories.		m ²		3		02-557
---	--	----------------	--	---	--	---------------

Frontplate, Stainless steel , 2 mm thick one piece, without thermal separation, without flaps and accessories.		m ²		2		02-557E
---	--	----------------	--	---	--	----------------

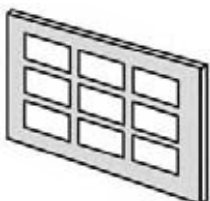
Letter flap, Aluminium comes complete with nameplate and mail security baffle.		Pcs.	230	35		02-720
---	--	------	-----	----	--	---------------

Letter flap, Stainless steel , comes complete with nameplate and mail security baffle.		Pcs.	230	35		02-720E
---	--	------	-----	----	--	----------------



Intercom and Bellbox This box is suitable also as a blank box.		Pcs.	250	125	80	01-135
--	--	------	-----	-----	----	---------------

Speech plate, Bell plate, blank plate 275 x 125 mm, for a total quantity of 9 nameplates / bellpushes or max. 3 nameplates / bellpushes and speechgrille. Any configuration can be achieved with different size box.		Pcs.	275	125		
--	--	------	-----	-----	--	--



Accessories						
Illuminated lightpush		Pcs.				21-101
Nameplate / Bellpush		Pcs.				21-110
Illuminator for bellpush		Pcs.				21-112
Speechgrille		Pcs.				21-161

STOCK FINISHES: Front Plate: Anodised silver / gold, white.
Rear Door: White, beige.

ADJUSTABLE POSTAL BOX FOR THROUGH WALL APPLICATION

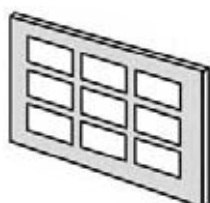
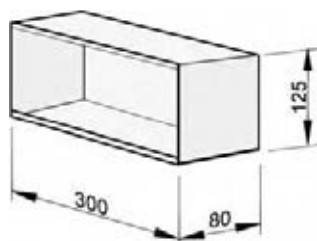
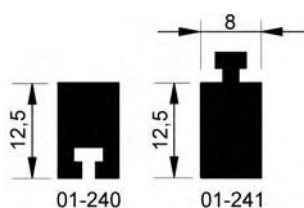
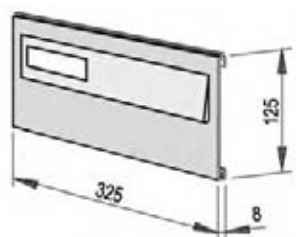
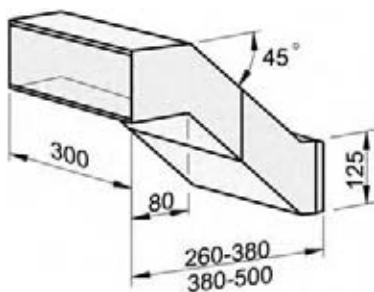
Model 01-200

Chutes 300 x 125 x 260-380 mm or 380-500 mm
Aperture: 280 x 35 mm (DIN C4)

● This model complies to
DIN EN 13724

01
SERIES

200



Item	EN13724 Compliance	Unit	Dimensions in mm: W x H x D			Model number
Chute, diagonal 260 - 380 mm extendable.	●	Pcs.	300	125	260-380	01-215
Chute, diagonal 380 -500 mm extendable.	●	Pcs.	300	125	380-500	01-216
Aperture Aluminium extruded section with assembly groove. Aperture 280x35 mm (acc. DIN C4) Comes complete with nameplate.		Pcs.	325	125		01-220
Top profile section Aluminium extruded section.		m	325	12,5		01-240
Bottom profile section Aluminium extruded section.		m	325	12,5		01-241
<i>Profile sections for use with 01-220 frontplates</i>						
Frontplate, Aluminium, 3 mm thick without thermal separation, without flaps and accessories.		m ²		3		02-557
Frontplate, Stainless steel, 2 mm thick one piece, without thermal separation, without flaps and accessories.		m ²		2		02-557E
Letter flap, Aluminium comes complete with nameplate and mail security baffle.		Pcs.	280	35		02-820
Letter flap, Stainless steel , comes complete with nameplate and mail security baffle.		Pcs.	280	35		02-820E
Intercom and Bellbox This box is suitable also as a blank box.		Pcs.	300	125	80	01-235
Speech plate, Bell plate, blank plate 325 x 125 mm, for a total quantity of of 12 nameplates / bellpushes or max. 6 nameplates / bellpushes and speechgrille. Any configuration can be achieved with different size box.		Pcs.	325	125		01-236
Accessories						
Illuminated lightpush		Pcs.				21-101
Nameplate / Bellpush		Pcs.				21-110
Illuminator for bellpush		Pcs.				21-112
Speechgrille		Pcs.				21-161

STOCK FINISHES: Front Plate: Anodised silver, white.
Rear Door: White.

ADJUSTABLE POSTAL BOX FOR THROUGH WALL APPLICATION

Chutes 350 x 125 x 260-380 mm or 380-500 mm

Aperture: 330 x 35 mm (DIN C4)

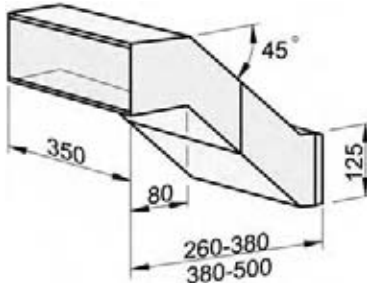
• This model complies to
DIN EN 13724

Model 01-300

01
SERIES

300

Item	EN13724 Compliance	Unit	Dimensions in mm: W x H x D	Model number
------	--------------------	------	--------------------------------	--------------

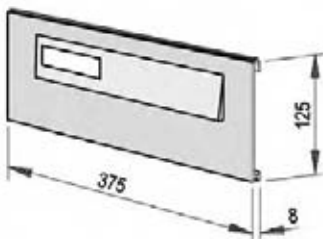


Chute, diagonal
260 - 380 mm extendable

• Pcs. 350 125 260-380 **01-315**

Chute, diagonal
380 -500 mm extendable

• Pcs. 350 125 380-500 **01-316**



Aperture
Aluminium extruded section with assembly groove.

Pcs. 375 125 **01-320**

Aperture 330x35 mm (acc. DIN C4)
Comes complete with nameplate.

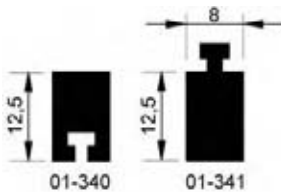
Top profile section
Aluminium extruded section.

m 375 12,5 **01-340**

Bottom profile section
Aluminium extruded section.

m 375 12,5 **01-341**

Profile sections for use with 01-320 frontplates



Frontplate, Aluminium, 3 mm thick without thermal separation, without flaps and accessories.

m² 3 **02-557**

Frontplate, Stainless steel, 2 mm thick one piece, without thermal separation, without flaps and accessories.

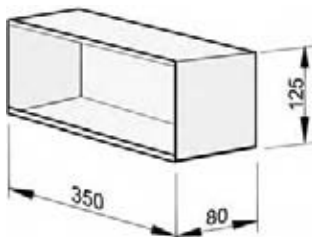
m² 2 **02-557E**

Letter flap, Aluminium comes complete with nameplate and mail security baffle.

Pcs. 330 35 **02-920**

Letter flap, Stainless steel, comes complete with nameplate and mail security baffle.

Pcs. 330 35 **02-920E**



Intercom and Bellbox,
This box is suitable also as a blank box.

Pcs. 350 125 80 **01-335**

Speech plate, Bell plate, blank plate
375 x 125 mm, for a total quantity of 12 nameplates / bellpushes or max. 6 nameplates / bellpushes and speechgrille. Any configuration can be achieved with different size box.

Pcs. 375 125 **01-336**



Accessories

Illuminated lightpush
Nameplate / Bellpush
Illuminator for bellpush
Speechgrille

Pcs. **21-101**
Pcs. **21-110**
Pcs. **21-112**
Pcs. **21-161**

STOCK FINISHES: Front Plate: Anodised silver, white.
Rear Door: White.

HORIZONTAL LETTER BOXES FOR USE IN ENTRANCE PANELS

◀ Series 02: Letter boxes for entrance panels

- Installation boxes c/w bellpushes / speechgrille can be provided to your individual requirements.
- All banks of letter boxes are also available in high-grade stainless steel.
- Inscriptions and numerals can be engraved on receipt of your signed confirmation.

02
SERIES



Bank with straight boxes and installation box for entrance panels. Frontplate and flaps made of aluminium. Powder coated in RAL 9007 grey aluminium.



HORIZONTAL LETTER BOXES FOR USE IN ENTRANCE PANELS

Examples

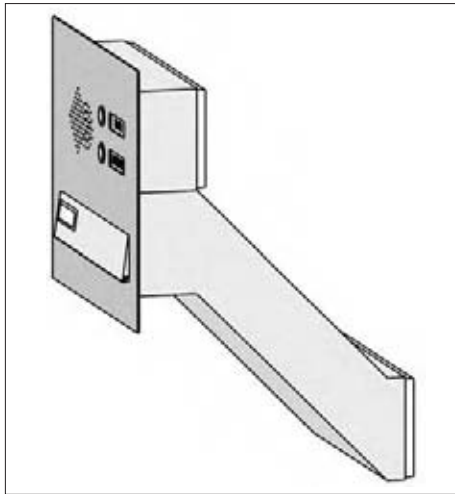


02
SERIES

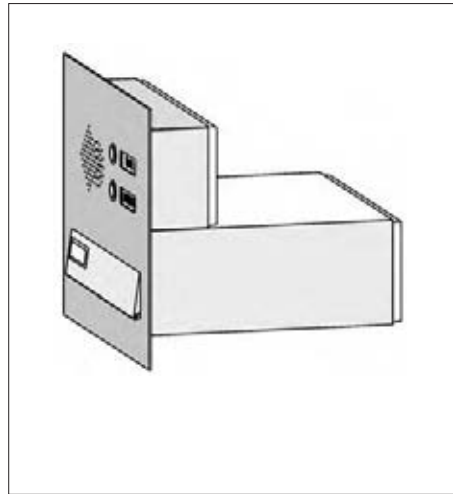


HORIZONTAL LETTER BOXES FOR USE IN ENTRANCE PANELS

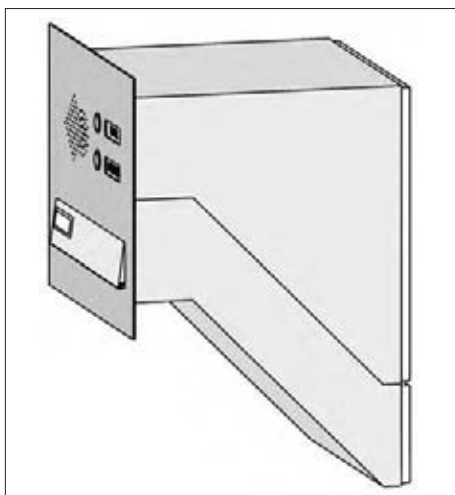
◀ Arrangement of the Box types



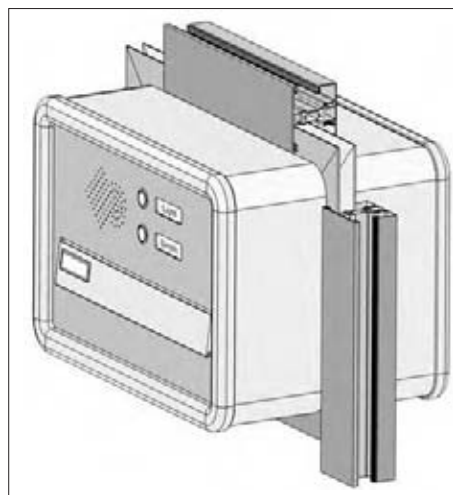
Chute and straight bellbox 80 mm deep



Straight box, bellbox 80 mm deep



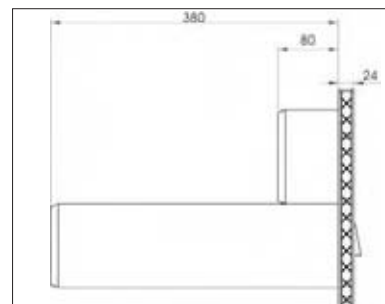
Chute and straight top bellbox



20-245 with mid-frame for entrances

◀ Thermal Separation

We can deliver frontplates with an additional thermal separation if required. This is especially recommended in areas where the climate is often cold. Therefore we apply an insulation as shown below. Please note that the thickness of the frontplate will increase to 24 mm.



HORIZONTAL LETTER BOXES FOR USE IN ENTRANCE PANELS

Boxes 270 x 110/220/330 x 380 mm

Aperture: 280 x 35 mm (DIN C4)

• This model complies to
DIN EN 13724

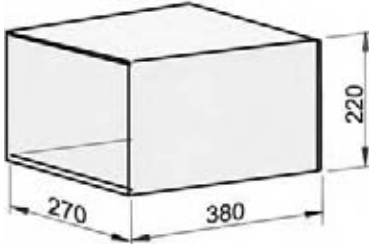
Model 02-700

Item	EN13724 Compliance	Unit	Dimensions in mm: W x H x D	Model number
------	-----------------------	------	--------------------------------	-----------------



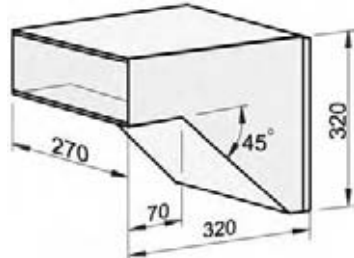
• **Straight box**, horizontal. Box is usable also as an installation- or blank box. Retrieval door with cylinder lock, two keys and nameplate. Door mounted at right side.

Pcs. 270 110 380 **02-741**



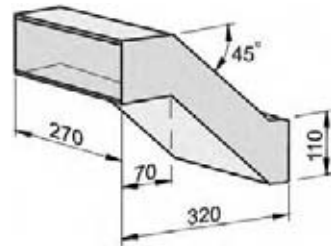
• **Straight box**, horizontal, same as described above, but double height.

Pcs. 270 220 380 **02-742**



• **Straight top box**, horizontal, Retrieval side height 320 mm, Usable also as an installationbox. Door mounted at right side.

Pcs. 270 110 320 **02-746**



• **Frontplate**, Aluminium, 3 mm thick one piece, without thermal separation, without flaps and accessories.

m² 3 **02-557**

• **Frontplate**, **Stainless steel**, 2 mm thick one piece, without thermal separation, without flaps and accessories.

m² 2 **02-557E**

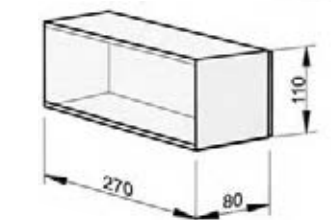


• **Letter flap**, Aluminium, comes complete with nameplate and mail security baffle.

Pcs. 250 35 **02-721**

• **Letter flap**, **Stainless steel**, comes complete with nameplate and mail security baffle.

Pcs. 250 35 **02-721E**

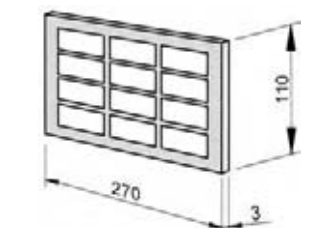


• **Intercom and Bellbox** This box is suitable also as a blank box. For up to 6 bellpushes

Pcs. 270 110 80 **02-751**

• **Speech plate, Bell plate, blank plate** 270x110 mm, for a total quantity of 12 nameplates / bellpushes or max. 6 nameplates / bellpushes and speechgrille. Any configuration can be achieved with different size box.

Pcs. 270 110



Accessories

Illuminated lightpush Pcs. **21-101**
 Nameplate / Bellpush Pcs. **21-110**
 Illuminator for bellpush Pcs. **21-112**
 Speechgrille Pcs. **21-161**

02
SERIES

700

HORIZONTAL LETTER BOXES FOR USE IN ENTRANCE PANELS

Model 02-800

Boxes 300 x 110/220/330 x 380 mm

Boxes 300 x 110/220 x 320 mm

• This model complies to
DIN EN 13724

02
SERIES

800



Straight box, horizontal.

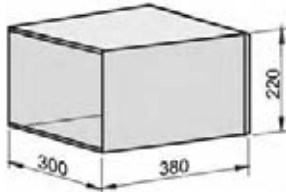
Box is usable also as an installation- or blank box. Retrieval door with cylinder lock, two keys and nameplate. Door mounted at right side. Available in three different heights.

•

Pcs.

300 110 380

02-841



Straight box, horizontal.

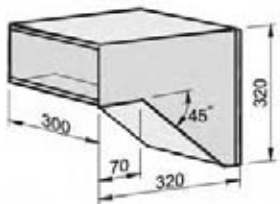
As above, but 220 mm in Height.

•

Pcs.

300 220 380

02-842



Chute, diagonal / straight

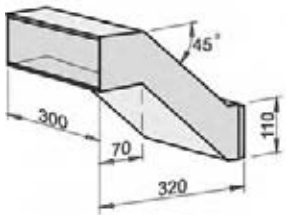
upper side is straight. Box is also useable as an installation- or blankbox. Retrieval door 320 mm high, cylinder lock, two keys and nameplate. Door mounted at right side.

•

Pcs.

300 320/110 320

02-846



Chute, diagonal

Door mounted at right side.

•

Pcs.

300 110 320

02-847



Frontplate, Aluminium, 3 mm thick without thermal separation, without flaps and accessories.

m²

3

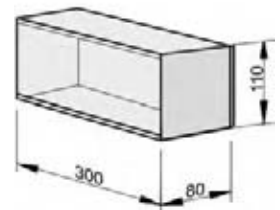
02-557

Frontplate, Stainless steel, 2 mm thick one piece, without thermal separation, without flaps and accessories.

m²

2

02-557E



Letter flap, Aluminium comes complete with nameplate and mail security baffle.

Pcs.

280 35

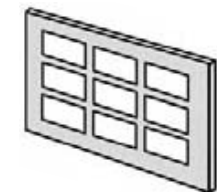
02-821

Letter flap, identical but in Stainless steel

Pcs.

280 35

02-821E



Intercom and Bellbox

This box is suitable also as a blank box. For up to 6 bellpushes, 1 speechgrille.

Pcs.

300 110 80

02-851

Speech plate, Bell plate, blank plate

for a total quantity of 16 nameplates / bellpushes or max. 8 nameplates / bellpushes and speechgrille.

Pcs.

02-835

Accessories

Illuminated lightpush
Nameplate / Bellpush
Illuminator for bellpush
Speechgrille

Pcs.

Pcs.

Pcs.

Pcs.

21-101

21-110

21-112

21-161

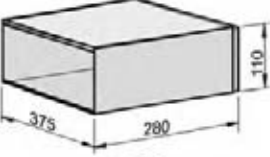
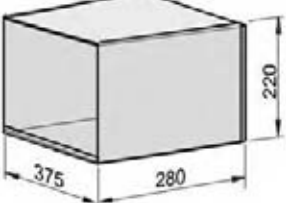
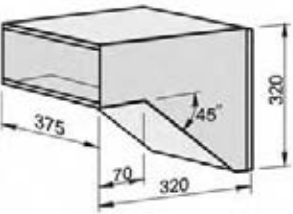
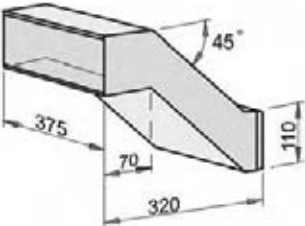

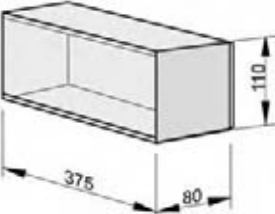

HORIZONTAL LETTER BOXES FOR USE IN ENTRANCE PANELS

Boxes 375 x 110/220/330 x 280 mm

Boxes 375 x 110/220 x 320 mm

• This model complies to
DIN EN 13724

Model 02-900

Item	EN13724 Compliance	Unit	Dimensions in mm: W x H x D	Model number
 <p>Straight box, horizontal. Retrieval door with cylinder lock two keys and nameplate. Door mounted at right side.</p>	•	Pcs.	375 110 280	02-941
 <p>Straight box, horizontal. As above, but 220 mm in Height.</p>	•	Pcs.	300 220 380	02-842
 <p>Chute, diagonal / straight upper side is straight. Box is also useable as an installation- or blankbox. Retrieval door 335 mm high, cylinder lock, two keys and nameplate. Door mounted at right side.</p>	•	Pcs.	375 320/110/320	02-946
 <p>Chute, diagonal Door mounted at right side.</p>	•	Pcs.	300 110 320	02-947
 <p>Frontplate, Aluminium, 3 mm thick one piece, without thermal separation, without flaps and accessories.</p>		m ²	3	02-557
<p>Frontplate, Stainless steel, 2 mm thick one piece, without thermal separation without flaps and accessories.</p>		m ²	2	02-557E
<p>Letter flap, Aluminium comes complete with nameplate and mail security baffle.</p>		Pcs.	355 35	02-921
<p>Letter flap, Stainless steel, comes complete with nameplate and mail security baffle.</p>		Pcs.	355 35	02-921E
 <p>Intercom and Bellbox This box is suitable also as an informationbox or as blankbox. For up to max. 6 nameplates / bellpushes and speechgrille. Any configuration can be achieved with different size box.</p>		Pcs.	375 110 80	02-951
 <p>Speech plate, Bell plate, blank plate for a total quantity of 16 nameplates / bellpushes or max. 8 nameplates / bellpushes and speechgrille.</p>		Pcs.		02-935
<p>Accessories</p> <p>Illuminated lightpush</p>		Pcs.		21-102
<p>Nameplate / Bellpush</p>		Pcs.		21-111
<p>Illuminator for bellpush</p>		Pcs.		21-112
<p>Speechgrille</p>		Pcs.		21-161

02
SERIES

900

SINGLE BOXES FOR DOOR MOUNTING · MODEL 02-180

Letter boxes in hot-dip zinc steel sheet and powder coated or stainless steel.

Aperture in front, retrieval from the back. Comes with nameplate, cylinder lock and two keys.

The box should be mounted behind the door aperture and the flap in front of the door aperture.

• This model complies to
DIN EN 13724

	Item	EN13724 Compliance	Dimensions W x H x D			Model number
	Box Back aperture 202 x 45 mm, without flaps and accessories. Aperture equals door recess.		220	290	75	02-180
	Flap with plastic mounting frame, nameplate and reset spring. Aperture 190 x 35mm (DIN B4) Anodised or powder coated		220	78		02-181
	Box Back aperture 242 x 45 mm, without flaps and accessories. Aperture equals door recess.		260	330	110	02-182
	Flap with plastic mounting frame, nameplate and reset spring. Aperture 240 x 35mm (DIN C4).		270	78		02-183
	Box Back aperture 252 x 45 mm, without flaps and accessories. Aperture equals door recess.	•	270	370	110	02-184
	Flap with plastic mounting frame, nameplate and reset spring. Aperture 240 x 35mm (DIN C4).		270	78		02-185
	Box with mail holding clip. Back aperture 352 x 45 mm without flaps and accessories. Aperture equals door recess.		375	320	110	02-186
	Flap with plastic mounting frame, nameplate and reset spring. Aperture 240 x 35mm (DIN C4).		365	78		02-187
	Letter aperture with slot extendable from 40-75 mm for different thicknesses. Aperture 230 x 35mm (DIN C4). Door recess 252 x 45mm. Available in anodised aluminium or powder coated.		270	80		02-189

STOCK FINISHES:

Front Plate: Anodised silver or white.
Rear Door: White, silver or brown.



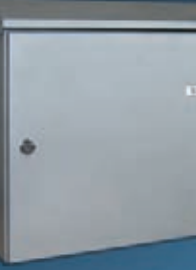


03
SERIES

Single Letter boxes

SINGLE LETTER BOXES

Letter boxes in hot-dip zinc steel sheet and powder coated or complete in stainless steel. Aperture on top, retrieval door in front. Comes with nameplate, cylinder lock and two keys.

• This model complies to
DIN EN 13724

Item	EN13724 Compliance	Dimensions W x H x D			Model number
 <p>Single Letterbox Aperture 220 x 35 mm (DIN A4), completely powder coated.</p> <p>JU 209 darkbrown</p> <p>RAL 9007 grey aluminium (picture)</p> <p>RAL 9016 white</p>		260 330 110			<p>03-114</p> <p>03-114G</p> <p>03-115</p>
 <p>Single Letterbox Aperture 230 x 35 mm (DIN C4), completely powder coated.</p> <p>JU 209 darkbrown</p> <p>RAL 9007 grey aluminium (picture)</p> <p>RAL 9016 white</p>	•	270 370 110			<p>03-116</p> <p>03-116G</p> <p>03-117</p>
 <p>Single Letterbox Aperture 325 x 35 mm (DIN C4 landscape), completely powder coated.</p> <p>JU 209 darkbrown</p> <p>RAL 9007 grey aluminium (picture)</p> <p>RAL 9016 white</p>	•	375 320 110			<p>03-220</p> <p>03-220G</p> <p>03-221</p>
 <p>Single Letterbox, Stainless Steel Aperture 325 x 35mm (DIN C4 landscape), completely made in stainless steel.</p>	•	375 320 110			03-220E
 <p>Single Letterbox with newspaper storage Stainless steel Aperture 325 x 35mm (DIN C4 landscape), completely made in stainless steel. Intergrated newspaper storage is open from both sides.</p>	•	375 320 110			03-440E

Stock Finishes: Brown JU-209, White RAL9016

03
SERIES

Single Letter boxes

BUILT IN, FREE STANDING AND WALL MOUNTED BANKS

◀ Series 04: Banks of vertical letter boxes

These banks can be surface mounted, built into walls or freestanding. Various finishes available. Comes complete with nameplate, cylinder lock and two keys. Different Casings and Stands available. All boxes of the 04 Series can also be ordered in Stainless Steel.



Bank of letter boxes to build into wall, boxes type 04-400 with flaps complete in stainless steel. With surround for recessed units 20-236 in stainless steel.



Freestanding bank with boxes 04-600 and aluminium round profile section 20-243N with continuing profile as stand.



Bank of letter boxes for wall mounting, boxes 04-600, and Compact surround 20-650. Flaps anodised aluminium (EV1 silver).

04
SERIES

Examples

BUILT IN, FREE STANDING AND WALL MOUNTED BANKS

Examples



Freestanding bank, boxes 04-640, with aluminium flat profile 20-242N and tube stand 20-325, with baseplates 20-326 screwed on.



Bank for wall mounting, boxes 04-400 series, with engraved numerals in door, without casing.



Bank to build into wall, boxes 04 series, equipped with bellbox and illumination. Surround for recessed units 20-236, complete in stainless steel.



Bank to build into wall, boxes 04-300 series, with aluminium round profile section 20-237.



Freestanding bank 04 series with Compact surround 20-650, installation box and rectangular tube stand 20-315.



Bank for wall mounting 04 series with cornered profile section 20-999 and rain deflector 20-251.

04
SERIES

Examples

BUILT IN, FREE STANDING AND WALL MOUNTED BANKS

Examples



Bank for wall mounting 04-600 series with aluminium round profile section 20-243N. With installation box and accessories bellpush 21-117, name plate 21-255, illumination button 21-118 and punched speechgrille 21-165.



Bank to build into wall, boxes 04-300 series, installation box, with aluminium round profile section 20-237.



Bank for wall mounting 04-600 series with aluminium flat profile 20-242N, with installation box between two letter boxes. Additional with 2nd. nameplate 21-255, speechgrille 21-161 and bellpushes 21-111.



Bank to build into wall, boxes 04-600 series complete in stainless steel. Surround for recessed units 20-236 in stainless steel.



Freestanding bank, boxes 04-640, with aluminium flat profile 20-242N and rectangular tube stand 20-315 with baseplates 20-316.

04
SERIES

Examples

BUILT IN, FREE STANDING AND WALL MOUNTED BANKS

All boxes available singly or in multiple units. Manufactured in hot-dip zinc steel sheet, powder coated with colour or anodised aluminium front flap. Locking door with nameplate.
Also available in stainless steel.

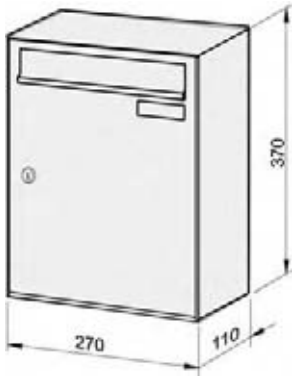
• This model complies to
DIN EN 13724

Item	EN13724 Compliance	Unit	Dimensions in mm: W x H x D	Model number
------	--------------------	------	--------------------------------	--------------



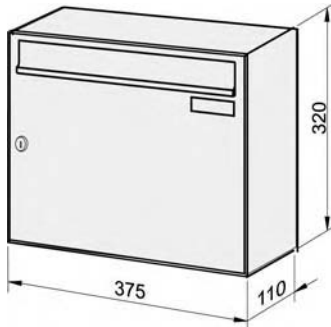
Box Pcs. 260 330 110 **04-340**
Aperture 220 x 35 mm

STOCK FINISHES: White, silver, brown, grey



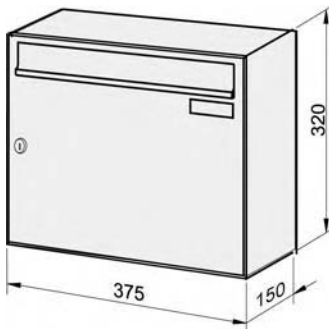
Box Pcs. 270 370 110 **04-440**
Aperture 230 x 35 mm

STOCK FINISHES: White, silver, brown, grey



Box • Pcs. 375 320 110 **04-640**
Aperture 325 x 35 mm

STOCK FINISHES: White, silver, brown



Box • Pcs. 375 320 150 **04-740**
Aperture 325 x 35 mm

STOCK FINISHES: White

04
SERIES

BUILT IN, FREE STANDING AND WALL MOUNTED BANKS

All boxes available singly or in multiple units. Manufactured in hot-dip zinc steel sheet, powder coated with colour or anodised aluminium front flap. Locking door with nameplate. Also available in stainless steel.

• This model complies to
DIN EN 13724



Item	EN13724 Compliance	Unit	Dimensions in mm: W x H x D	Model number
------	--------------------	------	--------------------------------	--------------

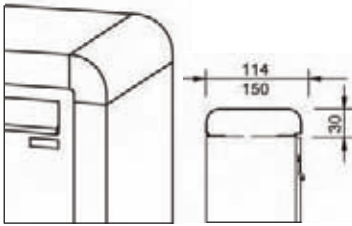
Box	•	Pcs.	300 440 150	04-840
Aperture 260 x 35 mm				



Box	•	Pcs.	375 440 150	04-940
Aperture 325 x 35 mm				

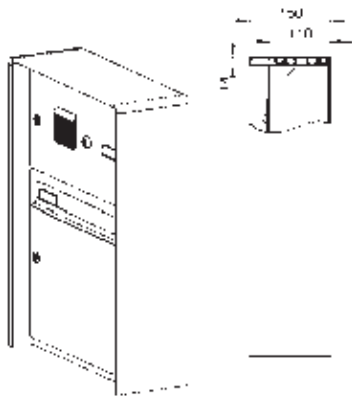
04
SERIES

SURROUNDS TO SUIT 04-400 SERIES



Surround Type 20-243	per m	114 30	20-243
Aluminium round profile section complete with cast aluminium corners.			

STOCK FINISHES: White, silver, brown



Surround Type 20-242N	per m	150 14	20-242N
Rain cover section with 40 mm overhang.			

SPACE SAVING POSTAL BOX

◀ Series 08: Banks with horizontal letter boxes

- Can be surface mounted singly or in multiple banks, built into walls or free standing.
- Boxes are manufactured in hot-dip zinc steel sheet and powder coated.
- Different surrounds available.
- Comes with cylinder lock, nameplate and two keys. For engraving please ask.



Aluminium round profile section 20-237 for recessed units, built into wall.



Freestanding bank 08 series, with aluminium round profile section 20-245 and oval tubular Frame 20-401 .



Aluminium round profile section 20-245 for 08 series, with rain deflector 20-251, aluminium speech grille 21-161 and bellpushes 21-111.



Bank with aluminium sheet casing 20-242 for wall mounting.

08
SERIES



Freestanding bank with compact surround 20-652 and double nameplate.



Internal mounted bank with engraved numerals and rectangular frame 20-311 with crossbeam.

Examples

SPACE SAVING POSTAL BOX

Examples



Bank with aluminium sheet casing 20-242 and engraved flaps.

08
SERIES



Bank of letter boxes 08 series, surround 20-236 for recessed units, built into wall.

Examples

SPACE SAVING POSTAL BOX

Examples



Freestanding bank with different colours and engraved numerals. Equipped with weatherhood for 08 series 20-455 and oval tubular frame 20-401. With additional crossbeam.

08
SERIES



Freestanding bank, aluminium round profile section surround 20-245. With installation box. Lower box is double height. Tubular frame 20-321.



Freestanding bank with aluminium sheet casing 20-242, boxes 08 series, with rectangular tubular stand 20-315.

Examples

SPACE SAVING POSTAL BOX

Examples



Free standing bank with aluminium sheet casing 20-242 and rectangular tubular frame 20-311.

08
SERIES



Bank with extra storage compartments with turning knob.
With surround for recessed units 20-236 to be built into wall.



Freestanding bank with aluminium round profile and oval tubular frame 20-401. Equipped with extra storage for large quantities of mail.

Examples

SPACE SAVING POSTAL BOX

Examples



Bank of storage compartments with engraved numerals. Aluminium round profile section for 08 series type 20-260.



Bank of storage compartments 08 series with nameplates. Aluminium sheet casing 20-242.



Freestanding bank of letter boxes 08 series. With aluminium compact surround 20-652 and oval tubular stand 20-405.



Wall mounted bank of letter boxes with weatherhood for 08 series type 20-455.



Freestanding bank of letter boxes with aluminium round profile surround 20-260, with extra storage compartment and cylindrical stands.



Bank of letter boxes 08 Series, wall mounted.

08
SERIES

Examples

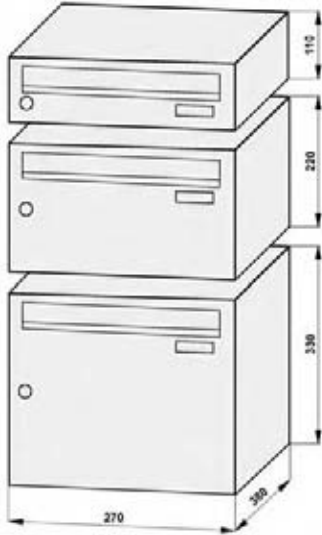
SPACE SAVING POSTAL BOX

All boxes available singly or in multiple units. Manufactured in hot-dip zinc steel sheet, powder coated with colour or anodised aluminium front flap. Locking door with nameplate. Also available in stainless steel.

• This model complies to
DIN EN 13724

Item	EN13724 Compliance	Unit	Dimensions in mm: W x H x D			Model number
------	-----------------------	------	--------------------------------	--	--	-----------------

08-200



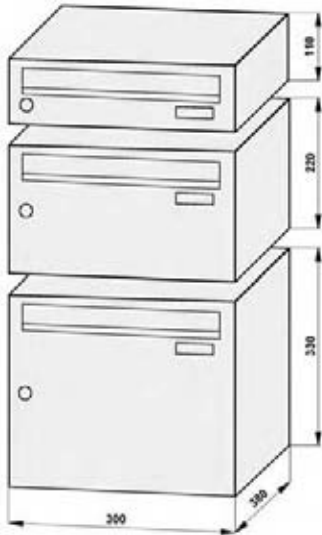
• Box with anodised aluminium flap or powder coated. Aperture 260 x 35 mm	•	Pcs.	270	110	380	08-202
---	---	------	-----	-----	-----	---------------

STOCK FINISHES: White, brown, grey

• Box with anodised aluminium flap or powder coated. Aperture 260 x 35 mm	•	Pcs.	270	220	380	08-212
---	---	------	-----	-----	-----	---------------

• Box with anodised aluminium flap or powder coated. Aperture 260 x 35 mm	•	Pcs.	270	330	380	08-222
---	---	------	-----	-----	-----	---------------

08-300



• Box with anodised aluminium flap or powder coated. Aperture 260 x 35 mm	•	Pcs.	300	110	380	08-302
---	---	------	-----	-----	-----	---------------

• Box with anodised aluminium flap or powder coated. Aperture 260 x 35 mm	•	Pcs.	300	220	380	08-312
---	---	------	-----	-----	-----	---------------

• Box with anodised aluminium flap or powder coated. Aperture 260 x 35 mm	•	Pcs.	300	330	380	08-322
---	---	------	-----	-----	-----	---------------

08
SERIES

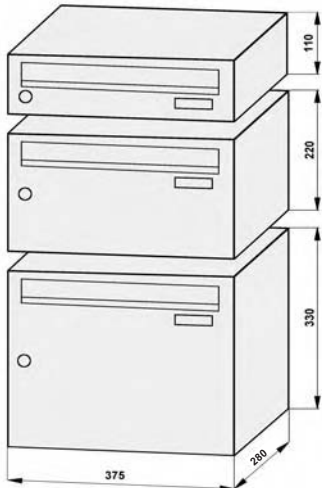
SPACE SAVING POSTAL BOX & SURROUNDS

All boxes available singly or in multiple units. Manufactured in hot-dip zinc coated steel sheet, powder coated with colour or anodised aluminium front flap. Locking door with nameplate. Also available in stainless steel.

• This model complies to
DIN EN 13724

Item	EN13724 Compliance	Unit	Dimensions in mm: W x H x D	Model number
------	-----------------------	------	--------------------------------	-----------------

08-500



Box with anodised aluminium flap or powder coated. Aperture 325 x 35 mm (DIN C4 landscape)	•	Pcs.	375 110 280	08-502
--	---	------	-------------	---------------

Box with anodised aluminium flap or powder coated. Aperture 325 x 35 mm (DIN C4 landscape)	•	Pcs.	375 220 280	08-512
--	---	------	-------------	---------------

Box with anodised aluminium flap or powder coated. Aperture 260 x 35 mm	•	Pcs.	375 330 280	08-522
---	---	------	-------------	---------------

SURROUNDS TO SUIT 08 SERIES

	Compact surround, aluminium Back plate in aluminium	per m ²	1,5	20-652
		per m ²	2	20-242R
	Stainless Steel Back plate Stainless Steel	per m ²	1,5	20-652E
		per m ²	2	20-242RE

	Elegance surround, aluminium Back plate aluminium	per m ²	1,5	20-680
		per m ²	1,5	20-242R

	Cornered profile section, Aluminium	per m ²	1,5	20-999
	Stainless Steel	per m ²	1,5	20-999E

	Round profile section, Aluminium with cast aluminium corners. Note: Requires box with at least 170 mm depth.	per m ²		20-245
--	---	--------------------	--	---------------

	Aluminium sheet casing covers top and both sides. Note: Requires box with at least 150 mm depth.	per m ²	2	20-242
	Back plate	per m ²	2	20-242R
	Stainless Steel covers top and both sides.	per m ²	1,5	20-242E
	Back plate	per m ²	1,5	20-242RE

	Weatherhood for series 08 Aluminium roof overlaps top and side.	per m	14 2	20-455
	Stainless Steel	per m	14 1,5	20-455E

08 SERIES

SURROUNDS

Overview



Surround for recessed units,
20x20x2mm.
Item 20-236



Aluminium round profile
section, 35x20mm.
Item 20-237



Aluminium round profile
section, large (60 mm high)
60x32mm. Item 20-239



Aluminium sheet casing
(for boxes >150 mm).
Item 20-242



Weatherhood for
04 and 08 series.
Item 20-253



Aluminium flat profile
(for 110 mm deep boxes).
Item 20-242N



Aluminium round profile
section, Item 20-243 N.



Aluminium round profile
section for deep boxes
(>150 mm). Item 20-245



Aluminium round profile
section for 08 series.
Item 20-260



Cornered profile section,
aluminium. Item 20-999



Elegance surround
aluminium. Item 20-680



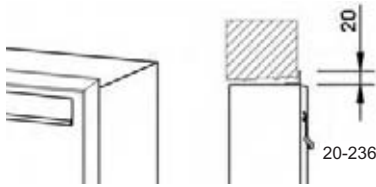
Compact surround aluminium
Item 20-652 for 08 Series
Item 20-650 for 04 Series

20
SERIES

Surrounds

SURROUNDS

Surrounds for recessed units

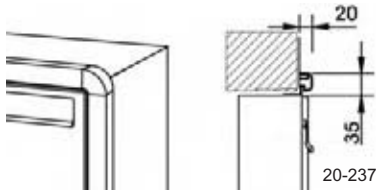


Surround for recessed units
angular, powder coated or anodised.

Unit: per m Dimensions in mm: W x H x D: 20 20 2 Model number: **20-236**

Stainless Steel per m 20 20 1,5 **20-236E**

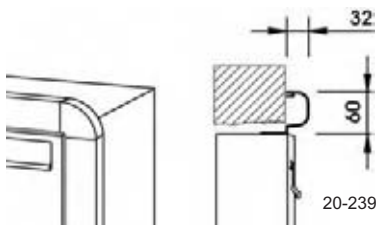
STOCK FINISHES: Anodised aluminium



Aluminium round profile section
anodised or powder coated, with cast aluminium corners.

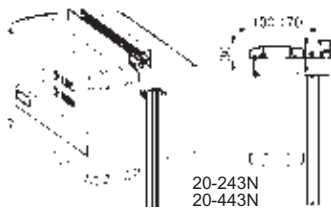
Unit: per m Dimensions in mm: W x H x D: 54 35 2 Model number: **20-237**

STOCK FINISHES: White, brown, silver



Aluminium round profile section
anodised or powder coated, with cast aluminium corners.

Unit: per m Dimensions in mm: W x H x D: 67 60 2 Model number: **20-239**

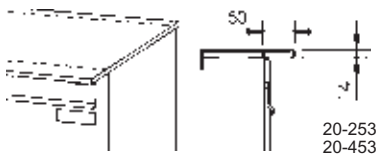


Aluminium round profile section
for partial entrance installation with cast aluminium corners.

Unit: per m Dimensions in mm: W x H x D: 130 30 2 Model number: **20-243 N**

Unit: per m Dimensions in mm: W x H x D: 170 30 2 Model number: **20-443 N**

Rain Surrounds



Weatherhood for model 04
for boxes 110 mm and 150 mm, overlaps front

Unit: per m Dimensions in mm: W x H x D: 14 2 Model number: **20-253**

Stainless Steel

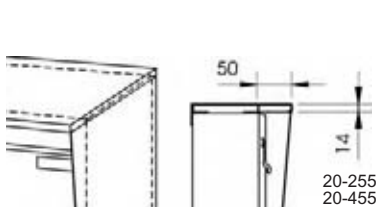
Unit: per m Dimensions in mm: W x H x D: 14 1,5 Model number: **20-253E**

Weatherhood for model 08
overlaps front

Unit: per m Dimensions in mm: W x H x D: 14 2 Model number: **20-453**

Stainless Steel

Unit: per m Dimensions in mm: W x H x D: 14 1,5 Model number: **20-453E**



Weatherhood for model 04
Aluminium roof overlaps top and side.
For boxes 150 mm only. If your box is 110 mm, use surround 20-242 N instead.

Unit: per m Dimensions in mm: W x H x D: 14 2 Model number: **20-255**

Stainless Steel

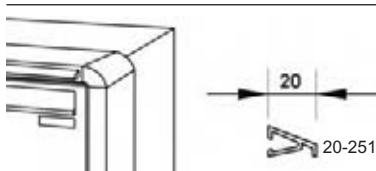
Unit: per m Dimensions in mm: W x H x D: 14 1,5 Model number: **20-255E**

Weatherhood for model 08
Aluminium roof overlaps top and side.

Unit: per m Dimensions in mm: W x H x D: 14 2 Model number: **20-455**

Stainless Steel

Unit: per m Dimensions in mm: W x H x D: 14 1,5 Model number: **20-455E**

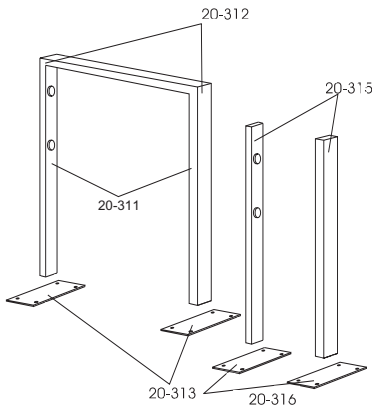


Rain deflector
Aluminium profile section

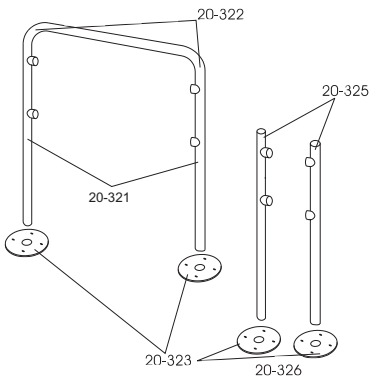
Unit: per m Dimensions in mm: W x H x D: 20 Model number: **20-251**

20
SERIES

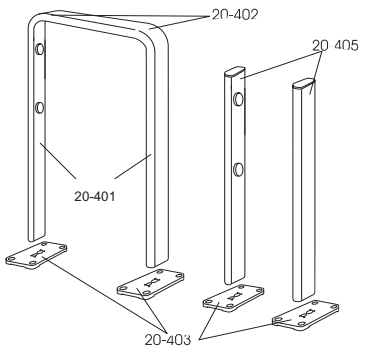
FRAMES AND STANDS



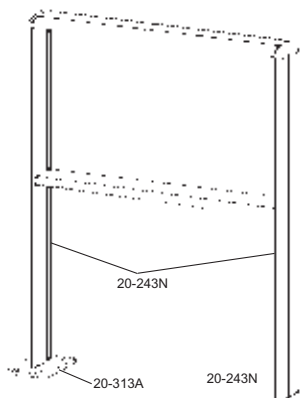
Item	Unit	Dim. in mm: B x H x T			Order number
Rectangular tubular frame	per m	80	40		20-311
Aluminium profile section	pcs.				20-312
Welded corner	pcs.	120	200	12	20-313
Baseplate screwed on	pcs.				20-313
Rectangular tubular frame	per m	80	40		20-311E
Stainless Steel	pcs.				20-312E
Welded corner	pcs.	120	200	6	20-313E
Baseplate welded	pcs.				20-313E
Rectangular tube stand	per m	80	40		20-315
Aluminium profile section	pcs.	120	200	12	20-316
Baseplate screwed on	pcs.				20-316
Rectangular tube stand	per m	80	40		20-315E
Stainless Steel	pcs.	120	200	6	20-316E
Baseplate welded	pcs.				20-316E



Item	Unit	Dim. in mm: B x H x T			Order number
Steel tube frame	per m	∅	60		20-321
zinc plated corner	pcs.				20-322
Baseplate welded	pcs.	∅	200	6	20-323
Welded corner for additional crossbeam	pcs.				20-324
Steel tube frame, Stainless Steel	per m	∅	60		20-321E
Corner	pcs.				20-322E
Baseplate welded	pcs.	∅	200	6	20-323E
Welded corner for additional crossbeam	pcs.				20-324E
Tube stand	per m	∅	60		20-325
Aluminium profile section	pcs.	∅	200	6	20-326
Baseplate screwed on	pcs.				20-326
Tube stand	per m	∅	60		20-325E
Stainless Steel	pcs.	∅	200	6	20-326E
Baseplate welded	pcs.				20-326E



Item	Unit	Dim. in mm: B x H x T			Order number
Oval tubular frame	per m	114	50		20-401
Corner	pcs.				20-402
Baseplate screwed on	pcs.	150	220	15	20-403
Welded corner for additional crossbeam	pcs.				20-404
Oval tube stand	per m	114	50		20-405
Baseplate screwed on	pcs.	150	220	15	20-403
Welded corner for additional crossbeam	pcs.				20-404



Item	Unit	Dim. in mm: B x H x T			Order number
Round profile section casing					
continuing as frame					
		(only for Model 04 with 110 mm boxes)			
Aluminium round profile casing	per m	130	30		20-243N
Baseplate screwed on	pcs.	120	200	10	20-313A
		(only for Model 04 with 150 mm boxes)			
Aluminium round profile casing	per m	170	30		20-443N
Baseplate screwed on	pcs.	120	240	10	20-413A

20
SERIES

Stands

FRAMES AND STANDS

Overview



Rectangular tube stand
with end caps.
Item 20-315



Tube stand
Steel tube Ø60 mm, with end caps.
Item 20-325



Oval tubular stand
with end caps.
Item 20-405



Rectangular tubular frame
Item 20-311



Tube frame
Bent steel tube Ø60 mm.
Item 20-321



Oval tubular frame
Item 20-401



Cylindrical stand
Different dimensions available.
Item 20-351



Square stand
with maintenance door.
Item 20-370



Rectangular stand
with maintenance door.
Item 20-385

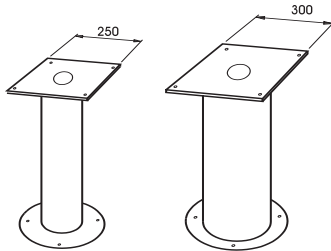
20
SERIES

Stands

ROUND STANDS FOR 08 SERIES

Item	Model number
------	--------------

Cylindrical stand Ø 120 mm with baseplate Ø 250 mm



20-341

20-351

600 mm high
700 mm high
800 mm high
900 mm high
1000 mm high

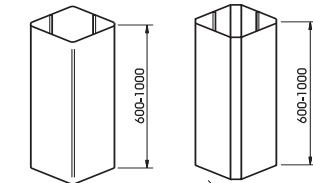
20-341
20-342
20-343
20-344
20-345

Cylindrical stand Ø 200 mm with baseplate Ø 300 mm

600 mm high
700 mm high
800 mm high
900 mm high
1000 mm high

20-351
20-352
20-353
20-354
20-355

Square stand, round cornered, with maintenance door.



20-370

20-375

600 mm high
700 mm high
800 mm high
900 mm high
1000 mm high

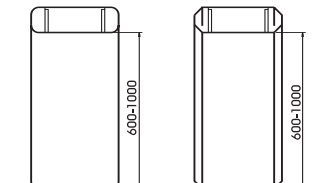
20-370
20-371
20-372
20-373
20-374

Square stand, diagonally cornered, with maintenance door.

600 mm high
700 mm high
800 mm high
900 mm high
1000 mm high

20-375
20-376
20-377
20-378
20-379

Square stand, round cornered, with maintenance door.



20-385

20-390

600 mm high
700 mm high
800 mm high
900 mm high
1000 mm high

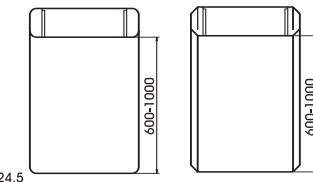
20-385
20-386
20-387
20-388
20-389

Square stand, diagonally cornered, with maintenance door.

600 mm high
700 mm high
800 mm high
900 mm high
1000 mm high

20-390
20-391
20-392
20-393
20-394

Double square stand, round cornered, with maintenance door.



20-500

20-505

600 mm high
700 mm high
800 mm high
900 mm high
1000 mm high

20-500
20-501
20-502
20-503
20-504

Double square stand, diagonally cornered, with maintenance door.

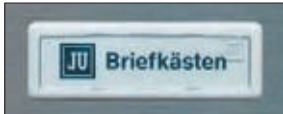





600 mm high
700 mm high
800 mm high
900 mm high
1000 mm high




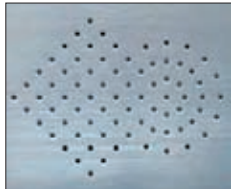

20-505
20-506
20-507
20-508
20-509

Cylindrical stands are zinc plated and powder coated

Square stands are also available in Stainless Steel! Please ask for price

SPARE PARTS AND ACCESSORIES

	Item	Dim. mm	Punch Dim. mm	Namecard Dim. mm	Order Number
	Bellpush with namecard, white	65 x 22	60,8 x 17,8	54 x 12	21-111
	Bellpush, nickel plated metal.	Ø 19	Ø 16		21-217
	Bellpush, Stainless Steel	Ø 21	Ø 18		21-217E
	Illumination push, 12 Volt	Ø 24	Ø 21		21-118
	Illumination push, 12 Volt Stainless Steel	Ø 24	Ø 21		21-118E
	Nameplate, Plexiglass	67 x 22	60,8 x 17.8	60 x 15	21-255

	Item	Outer Dim. in mm	Punch Dim. mm	Order Number
	Speechgrille, aluminium	95 x 82,5	90 x 80	21-161
		155 x 82,5	150 x 80	21-162
	Speechgrille, punched		95 x 70	21-165E
			Ø 72	21-166E
	Cylinder lock	2-Point locking (not shown)		21-135
	Cylinder lock	3-Point locking (see picture)		21-136

21
SERIES

Accessories

COLOUR PALETTE

Anodised colours for aluminium parts only

Important:

With the need to use extruded and sheet aluminium it is not possible to guarantee perfect colour matching.

This also applies to anodised colour examples. Therefore variations in shade are possible.

Extra charges

The bronze colour C 34 has an extra charge.



EV 1 Silver



C 34 Darkbronze



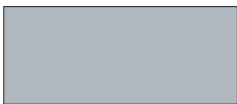
EV 3 Gold



Stainless Steel

Standard powder coated RAL colours (suitable for all materials)

Standard colours (no extra charge)



RAL 9007
grey aluminium



JU 209
dark brown



RAL 9016
white

Note:

Due to technical reasons, colours may vary. Please refer to the RAL colour table.

Banks made of Stainless Steel are delivered in brushed finish (without powder coating).

Custom RAL Colours

All RAL colours including pearl colours can be provided. If no RAL number is available, then we can sometimes match from a sample.

All colours apart from those of our standard colour range above have a surcharge.

Important notice:

Due to printing reasons, the colour tones shown in this catalogue are only an approximate reference, particularly for metallic colours.

For correct RAL colours the relevant colour charts should be referred to.



21
SERIES

Colours

Definitions of DIN EN 13724

The DIN EN 13724 replaces the old DIN 32617 and specifies the requirements and test methods of the apertures for the delivery of letter post items when fitted in accordance to manufacturer's instructions.

It takes into account security, impregnability, safety and performance for the recipient, and ergonomics and efficiency for delivery personnel. It allows the daily delivery of a great majority of letter post items in good condition.

The items shown in this catalogue which are marked with DIN are fully complying to the DIN specification.

Standard apertures are classified in four categories using following criteria:

- Type 1: Apertures of private letter for outdoor use
- Type 2: Apertures of private letter for indoor use
- Type 3: Apertures of slide-through boxes
- Type 4: Apertures of letter plates (fixed to doors or side-panel)

Larger formats	1. Vertical (portrait)	Aperture 30–40 x 325–440 mm
	2. Horizontal (landscape)	Aperture 30–40 x 230–280 mm

Corrosion and water intrusion	Grade 0: No specified resistance
	Grade 3: Good resistance
	Grade 4: Very good resistance

Security (burglary prevention)	Grade 1: Standard resistance (i.e. 200 different lockings)
	Grade 2: Improved resistance (i.e. 500 different lockings)

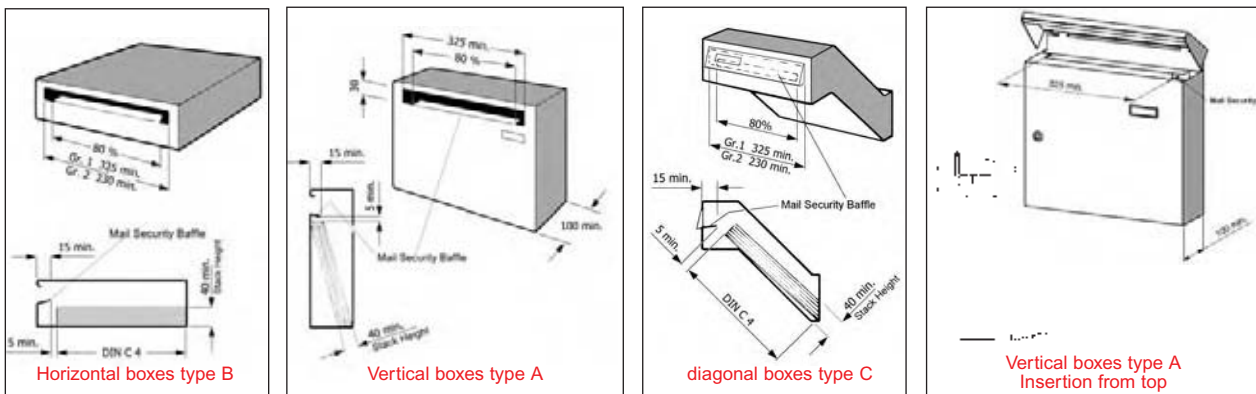
Installation height of aperture	Due to ergonomic reason, the aperture should be mounted between 700 und 1700 mm above floor level. (for speech boxes we recommend 1200 up to 1450 mm in height)
---------------------------------	---

There is much more criteria specified such as regulations of the forces which occur while opening / closing the flap, fire protection, confidentiality, theft prevention, measurement specifications and others.

The fulfilment of the requirements of DIN EN 13724 must be proven against defined test editions.

General Information

Letter boxes and letter distribution systems are to be arranged in such a way that they are at any time easily accessible and handy, whereby private banks of letter boxes and individual inhouse letter boxes should be attached in such a way that they can be operated without entering the buildings.



EASY ENQUIRY FORM FOR YOUR POSTAL BOX REQUIREMENT

Fill in what you can, and we do the rest...

COMPANY NAME:			
PROJECT NAME:			
CONTACT NAME:			
TEL NO:		FAX NO:	
POSITION:		EMAIL:	
<hr/>			
TYPE OF APPLICATION:	POSITION:		
<input type="checkbox"/> Wall Mounted <input type="checkbox"/> Recessed into the wall <input type="checkbox"/> Through-Wall/Panel <input type="checkbox"/> Freestanding	<input type="checkbox"/> Internal <input type="checkbox"/> External		
QUANTITY:	NUMBERING: (Please specify detail)		
No. of Postal Boxes: _____	<input type="checkbox"/> Engraved Numerals _____		
Configuration: _____	<input type="checkbox"/> Printed Labels _____		
Wall Thickness (if applicable): _____			
SURROUNDS:		OPTIONAL EXTRAS:	
<input type="checkbox"/> Surround Code: _____ <input type="checkbox"/> Bespoke Surround (Please specify) _____		<input type="checkbox"/> Intercom System <input type="checkbox"/> Heavy Duty Lock <input type="checkbox"/> Master Key System <input type="checkbox"/> Extra Keys	
FINISH:	OTHER:		
<u>Std RAL Colour</u> : <input type="checkbox"/> White <input type="checkbox"/> Grey <input type="checkbox"/> Dark Brown <input type="checkbox"/> Special RAL Colour: _____ <input type="checkbox"/> Stainless Steel <input type="checkbox"/> S.A.A.	_____ _____ _____		

**FAX OR EMAIL BACK TO US, AND YOUR QUOTE WILL BE WITH YOU
 SHORTLY. THANK YOU FOR YOUR ENQUIRY.**