

BALL VALVE ACTUATORS



PRODUCT INFORMATION

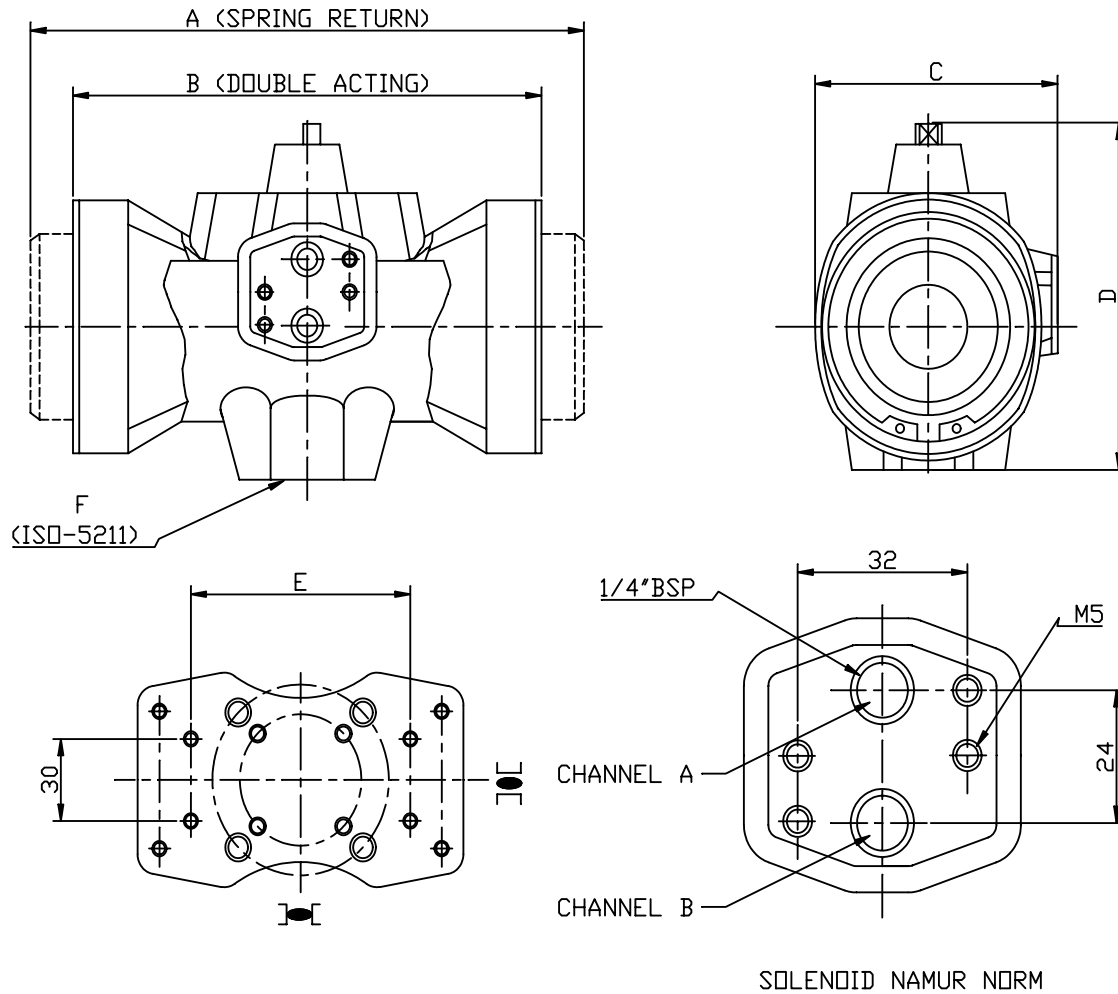
- * Aluminium epoxy coated
- * Single & Double acting
- * Torques from 17Nm to 2000Nm
- * Dimensions in mm
- * -32C to 90C working temperature.
- * Air, water or non aggressive fluids
- * Silicon free
- * Weights in Kg each

SIZING YOUR ACTUATOR

1. Choose the valve you require from Section 6 of this catalogue. The relevant page will state if the chosen valve can be actuated.
Example: A 3pc full bore BSP threaded ball valve, FBVX08 on page 6.5.
2. Check the torque figure shown and add 30% safety margin.
Example: FBVX08 torque is 9Nm. Add 30% which gives 11.7Nm.
3. Choose a single or double acting actuator and check the torque outputs against the pressure you have available. Page 7.3
Example: A double acting actuator with 6 Bar pressure. The chart shows a PW actuator will give 17Nm which is adequate to operate the FBVX08.

INDEX

DESCRIPTION	PAGE	DESCRIPTION	PAGE
Dimensions	7.2	Torque outputs & weight	7.3



Specifications:

- * 0 – 90° angle of rotation +/- 2
- * To ISO5211, VDE-3845, Namur
- * Range of brackets and couplings to mount the actuators to the majority of ball valves
- * Can be fitted with end switches, solenoid valves, positioners and manual overrides.
- * Up to 8 bar (120 psi) maximum pressure
- * Silicon free

ACTUATOR	A	B	C	D	E	F ISO5211	
ACTPW/S	144	109	69	85	80	F04 (F03)	
ACTP00/S	160	125	80	110		F05 (F04)	
ACTP05/S	194	146	98	122		F07 (F05)	
ACTP10/S	236	182	102	127			
ACTP15/S	257	203	115	148			
ACTP20/S	308	234	127	161		130	F10 (F07)
ACTP25/S	362	276	152	191			
ACTP30/S	479	349	177	211			
ACTP40/S	598	444	226	272	F12		
ACTP50/S	694	524	258	313	F14		

Double Acting

DOUBLE ACTING PART No	5		6		7		BAR		Kg/EACH
	72.8	87.4	102	PSI					
ACTPW	14.1	17	19.8	Nm					0.45
	124.8	150.5	175.2	Lb. in					
ACTP00	20.5	25	29.5	Nm					1.0
	181.4	221.3	261.1	Lb. in					
ACTP05	41	49.7	58.4	Nm					1.5
	362.9	439.8	516.8	Lb. in					
ACTP10	58.3	71	83.7	Nm					1.87
	516	628.4	740.7	Lb. in					
ACTP15	96	116.5	136.9	Nm					2.6
	849.6	1031	1211.6	Lb. in					
ACTP20	136.3	165.5	194.8	Nm					3.6
	1206.2	1465.2	1724.1	Lb. in					
ACTP25	240	290	339.9	Nm					5.9
	2124	2566.5	3008.1	Lb. in					
ACTP30	388.3	469.2	550.1	Nm					9.1
	3436.5	4152.3	4868.3	Lb. in					
ACTP40	980.8	1179.9	1379.1	Nm					17.6
	8679.8	10442.2	12204.6	Lb. in					
ACTP50	1710.9	2067.4	2423.8	Nm					30.7
	15141.7	18296.2	21450.7	Lb. in					

Single Acting

SPRING RETURN PART No	SPRING TORQUES		5		6		7		BAR		Kg EACH
	INITIAL	END	72.8		87.4		102		PSI		
			INITIAL	END	INITIAL	END	INITIAL	END	INITIAL	END	
ACTPWS	10.4	6.5	7.5	3.6	10.6	6.7	13.6	9.7	Nm	0.6	
	92.3	57.9	66.5	32	93.4	59.2	120.3	86	Lb. in		
ACTP00S	15.9	11.3	9.2	4.6	13.7	9.1	18.1	13.5	Nm	1.25	
	141	100.3	81.4	40.8	121.2	80.3	160.5	119.7	Lb. in		
ACTP05S	31.3	21.8	19.2	9.7	27.9	18.4	36.6	27.1	Nm	2.3	
	277	192.9	169.9	85.8	246.9	162.4	323.9	239.8	Lb. in		
ACTP10S	46.6	32.3	26	11.7	36.7	24.4	51.4	37.1	Nm	2.58	
	412.4	285.9	230.1	103.5	342.5	215.9	454.9	328.3	Lb. in		
ACTP15S	69.5	49	47	26.6	67.4	47	87.9	67.4	Nm	3.95	
	614.8	434	416	235.1	596.8	416	777.6	596.8	Lb. in		
ACTP20S	107.3	62.9	73.3	28.9	102.5	58.1	131.8	87.4	Nm	5.76	
	946.9	556.7	648.7	254.9	907.1	514.2	1166	773.5	Lb. in		
ACTP25S	197.1	131.4	108.6	42.9	158.6	92.9	208.6	142.8	Nm	9.2	
	1744.3	1162.9	961.1	379.7	1403.6	822.2	1846.1	1263.8	Lb. in		
ACTP30S	281.5	179.9	208.4	106.8	289.3	187.7	370.2	268.6	Nm	15.9	
	2491.5	1591.8	1844.7	945	2560.6	1660.9	3276.5	2376.8	Lb. in		
ACTP40S	766.9	491.6	489.1	213.8	688.3	413	887.4	612.1	Nm	36.4	
	6787.4	4350.9	4328.9	1892.4	6091.3	3654.8	7853.7	5417.2	Lb. in		
ACTP50S	1274.9	758	952.9	436.1	1309.3	792.5	1665.8	1148.9	Nm	58.4	
	11282.7	6708.7	8433.1	3859	11587.1	7013.5	14742	10168	Lb. in		

Operating principle

